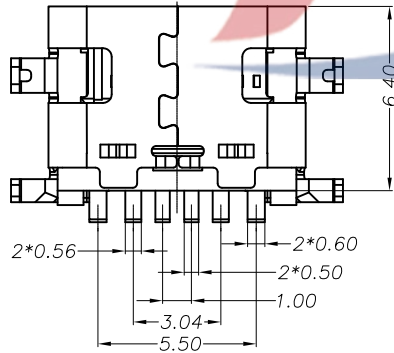
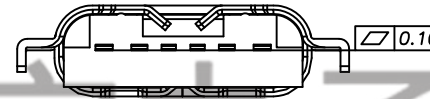
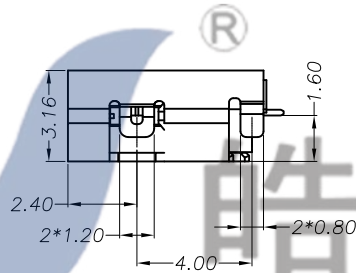
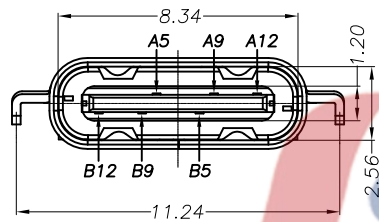


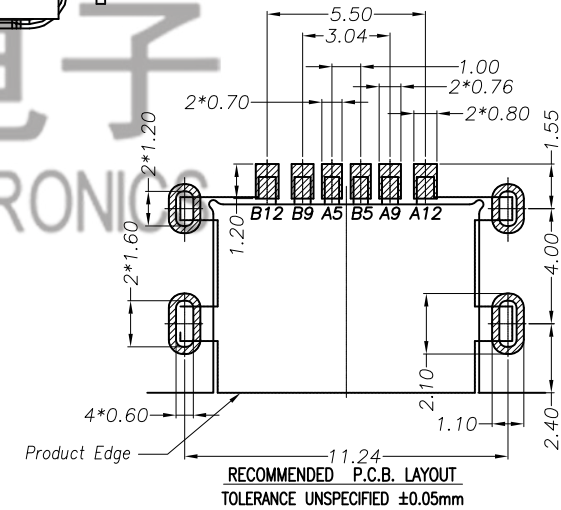
A5	CC1	B12	GND
A9	VBUS	B9	VBUS
A12	GND	B5	CC2
PIN	SIGNAL NAME	PIN	SIGNAL NAME



NOTES:

SPECIFICATION:

1. CURRENT RATING: 3.0A MAX
2. VOLTAGE: 100 VAC
3. TEMPERATURE RANGE: -30 °C ~ 85 °C
4. CONTACT RESISTANCE: 40 MILLIONHM MAX
5. INSULATION RESISTANCE: 100 MEGOHMS MIN.
6. LNSERTION FORCE : 5N~20N
7. UNMATING FORCE: 8N~20N
8. DURABILITY: 10000 CYCLES



电话 : 0769-82320511-867

8																					
7																					
6																					
5																					
4																					
3	SHELL	SUS	1	Ni-PLATED																	
2	CONTACT	COPPER ALLOY	6	Au/Ni-PLATED																	
1	HOUSING	LCP	1	BLACK																	
NO.	PART NAME	MATERIAL	QTY	FINISHING																	
					TOLERANCE UNLESS SPECIFIED																
					UP TO 5mm: ±0.1	ANGULAR	1														
					ABOVE 5mm: ±0.2	±1°	NO	DATE	REVISIONS				BY	APPD							
					TITLE: USB TYPE C 6PIN			UNIT : MM	ROHS COMPLIANT	DWN											
					MODEL: USB-312CB-B-SU			SCALE: 1:1	CHK'D												
					HAOYU(HONGKONG)LIMITED					APPD											
					皓宇(香港)有限公司					PRO.AGL:			REV :A0								