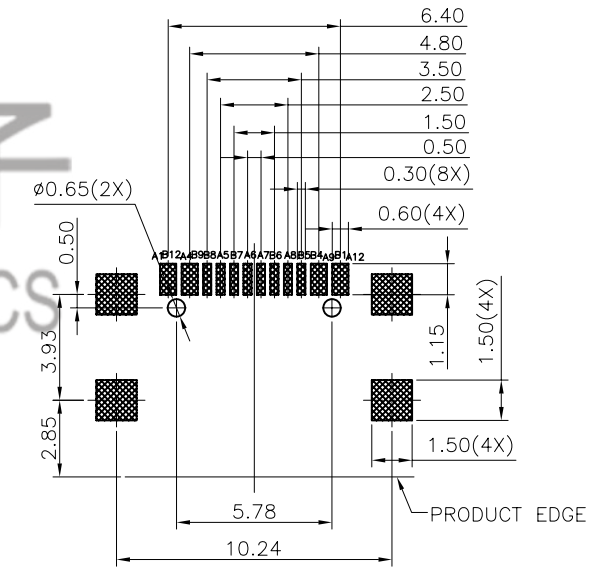
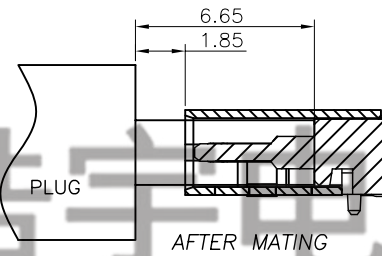
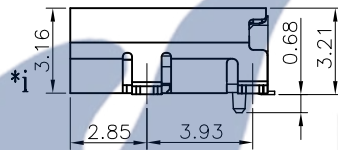
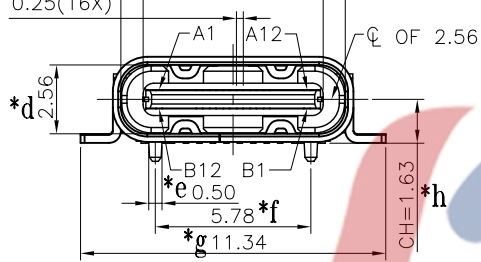
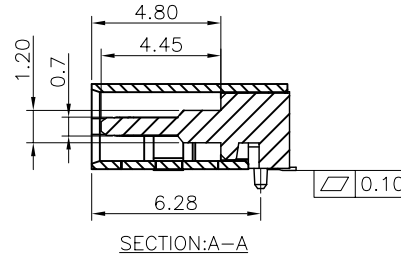
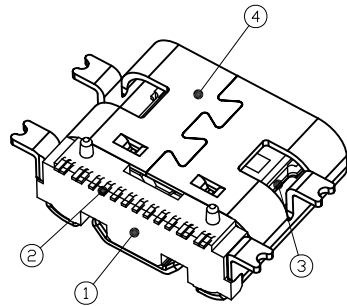
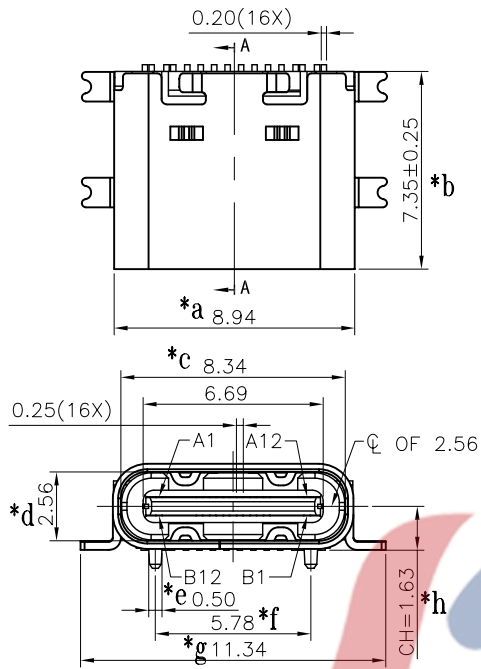


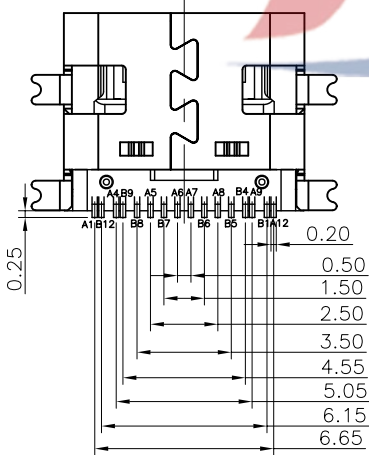
USB TYPE-C PIN ASSIGNMENTS

PIN NUMBER	SIGNAL NAME	PIN NUMBER	SIGNAL NAME
A1	GND	B12	GND
A4	VBUS	B9	VBUS
A5	CC1	B8	SBU2
A6	Dp1	B7	Dn2
A7	Dn1	B6	Dp2
A8	SBU1	B5	CC2
A9	VBUS	B4	VBUS
A12	GND	B1	GND



SPECIFICATION

1. Rating : 20V DC/AC
Vbus电流5A最大, GND电流1.25A最大, 其他PIN 0.25A最大
2. Contact resistance: ≤50mΩ.
3. Insulation resistance: ≥100MΩ (DC100V).
4. Withstanding voltage: 100VAC .
5. INSERTION FORCE:5-20N/ REMOVAL FORCE: 8-20N
6. life test: 10000 cycles.
7. Operation temperature range:-25℃~85℃.
8. Sign"* "is importance dimension.



电话 : 0769-82320511-867

TOLERANCE UNLESS SPECIFIED									
<1.5: ±0.1mm	ANGULAR	0							
>1.5~5.0: ±0.25mm	±1°	NO	DATE	REVISIONS			BY	APPD	
>5.0: ±0.3mm				TITLE: USB JACK		UNIT : MM	ROHS COMPLIANT	DWN	
				MODEL: USB-310S-B-SU-00		SCALE: 1:1		CHK'D	
				DONGGUANG HAOYU ELECTRONICS CO., LTD				APPD	
				东莞市弘皓电子有限公司				PRO.AGL:	REV :A0

NO.	PART NAME	MATERIAL	QTY	FINISHING
5				
4	SHELL	SUS	1	Ni-PLATED
3	MID PLATE	SUS	1	
2	TERMINAL	CUETP	16	Au-PLATED
1	HOUSING	PA9T(UL94V-0)	1	