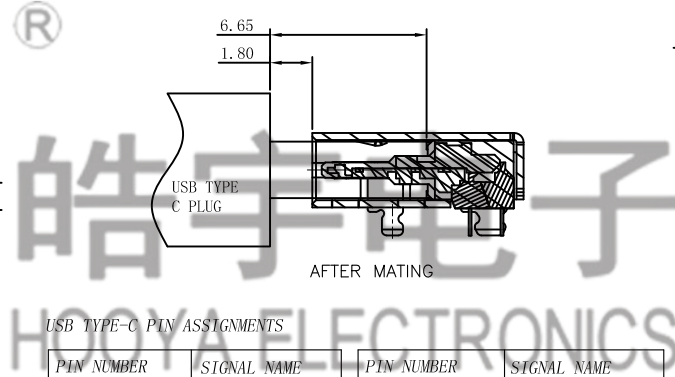
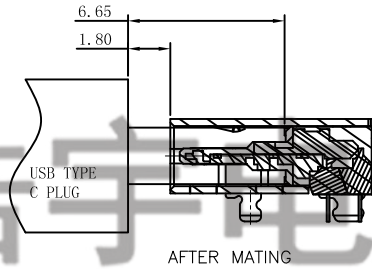
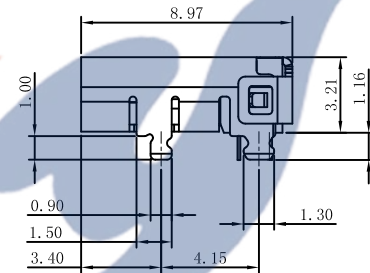
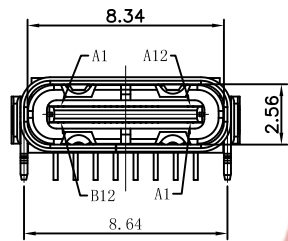
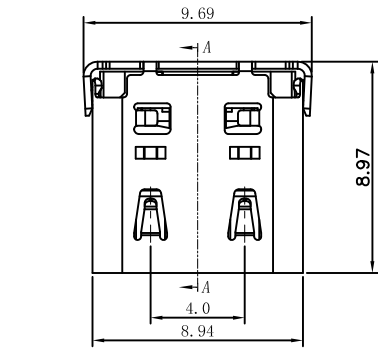
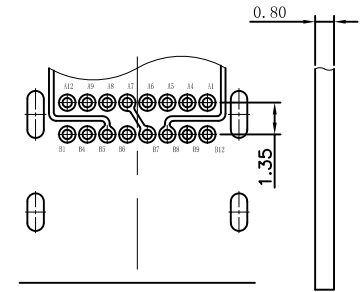
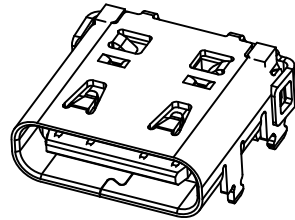


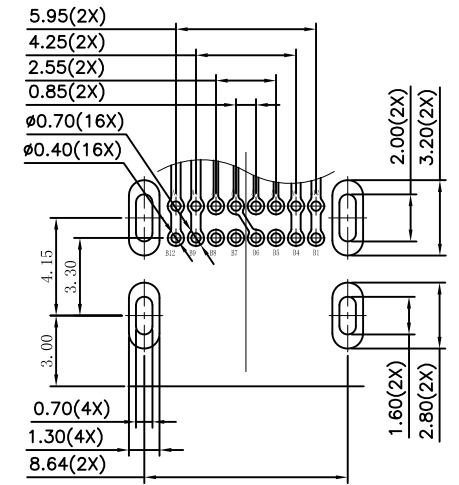
1. Rating : 20V DC/AC  
Vbus 电流5A 最大, GND 电流1.25A 最大, 其他PIN 0.25A 最大.
2. Contact resistance:  $\leq 50m\Omega$ .
3. Insulation resistance:  $\geq 100M\Omega$  (DC100V).
4. Withstanding voltage: 100VAC .
5. INSERTION FORCE: 5-20N/ REMOVAL FORCE: 8-20N
6. life test: 10000 cycles.
7. Operation temperature range:  $-25^{\circ}C \sim 85^{\circ}C$ .



USB TYPE-C PIN ASSIGNMENTS

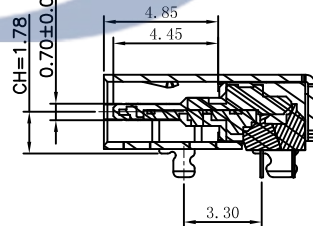
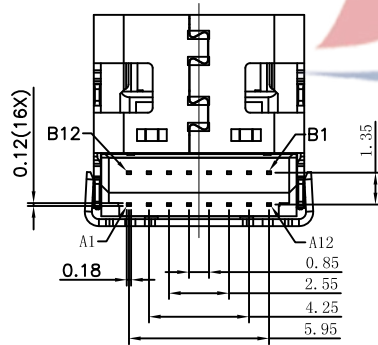
PIN NUMBER	SIGNAL NAME	PIN NUMBER	SIGNAL NAME
A1	GND	B12	GND
A4	V <sub>BUS</sub>	B9	V <sub>BUS</sub>
A5	CC1	B8	SBU2
A6	Dp1	B7	Dn2
A7	Dn1	B6	Dp2
A8	SBU1	B5	CC2
A9	V <sub>BUS</sub>	B4	V <sub>BUS</sub>
A12	GND	B1	GND

PCB BOTTOM SURFACE



RECOMMENDED PCB LAYOUT (TOP VIEW)

DEFAULT TOLERANCE:  $\pm 0.05$



SECTION:A-A

电话 : 0769-82320511-867

					TOLERANCE UNLESS SPECIFIED							
					UP TO 5mm: $\pm 0.1$	ANGULAR						
					ABOVE 5mm: $\pm 0.2$	$\pm 1^{\circ}$	NO	DATE	REVISIONS		BY	APPD
4	SHELL	SUS	1	Ni-Plated	TITLE: USB JACK			UNIT : MM	ROHS COMPLIANT	DWN		
3	MID PLATE	SUS	2		MODEL: USB-310HA-B-SU-00			SCALE: 1:1		CHK'D		
2	CONTACT	CUETP	16	Au-Plated	DONGGUANG HAOYU ELECTRONICS CO., LTD 皓宇 东莞市弘皓电子有限公司					APPD		
1	HOUSING	PA9T(UL94V-0)	1					PRO.AGL:		REV :A0		
NO.	PART NAME	MATERIAL	QTY	FINISHING								