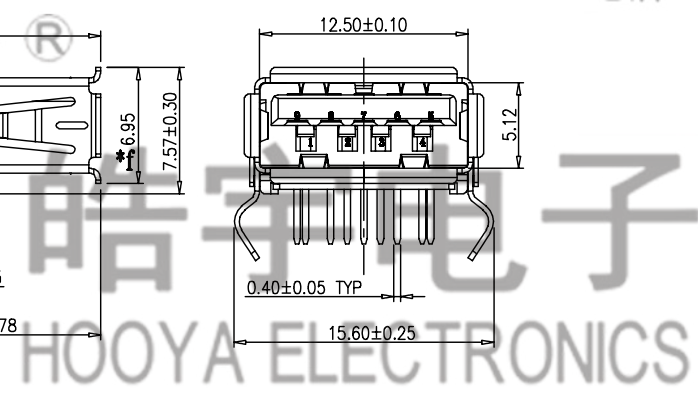
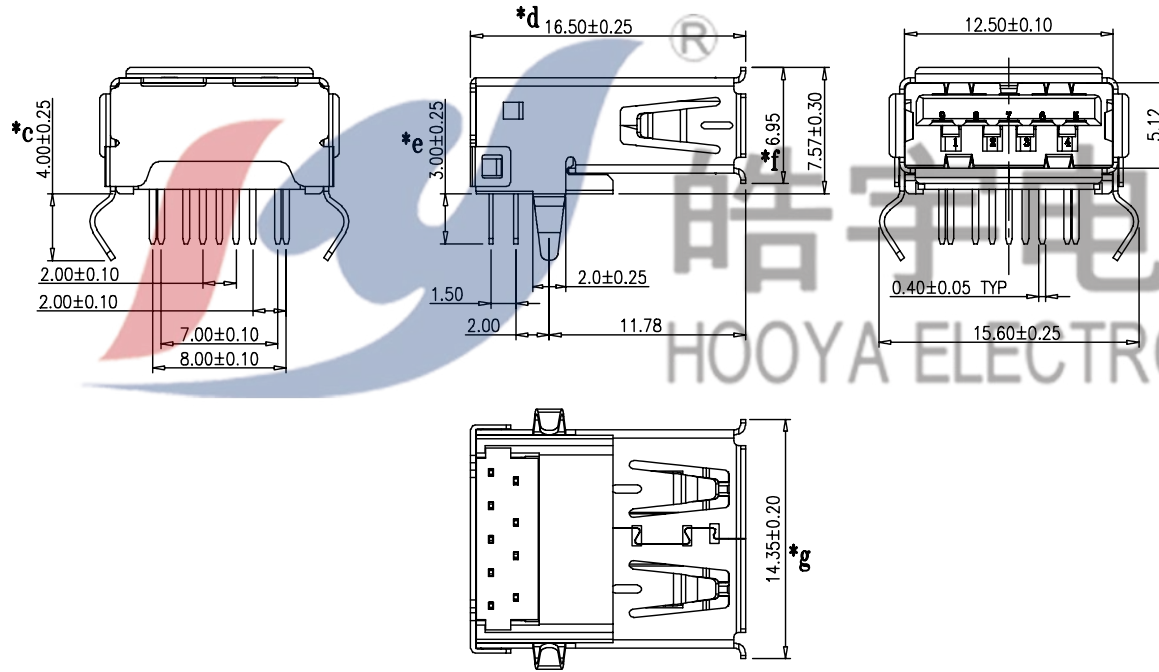


电话: 0769-82310511-867



					TOLERANCE UNLESS SPECIFIED							
					UP TO 5mm: ±0.1	ANGULAR	1					
					ABOVE 5mm: ±0.2	±1°	NO	DATE	REVISIONS		BY	APPD
3	SHELL	BRASS	1	Ni-PLATED	TITLE: USB JACK			UNIT: MM	ROHS COMPLIANT	DWN		
2	CONTACT	BRASS	9	Au/SN-PLATED	MODEL: USB-303-L-CU			SCALE: 1:1		CHK'D		
1	HOUSING	PBT(UL94V-0)	1		HAOYU(HONGKONG)LIMITED 皓宇(香港)有限公司					APPD		
NO.	PART NAME	MATERIAL	QTY	FINISHING				PRO.AGL:		REV: A0		