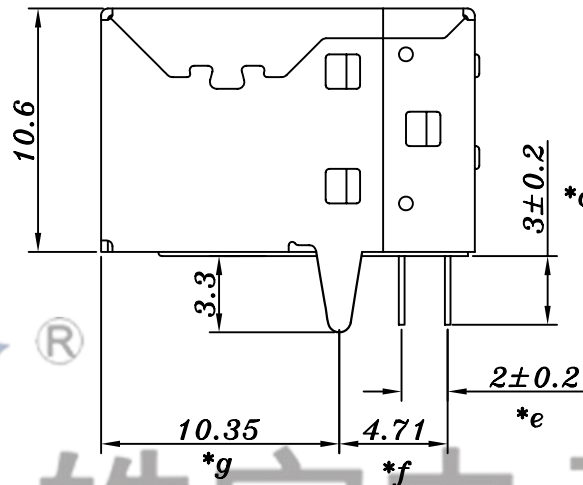
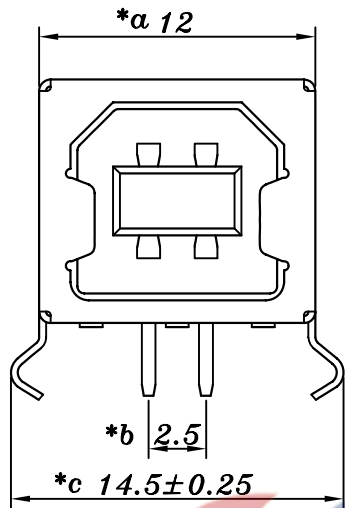
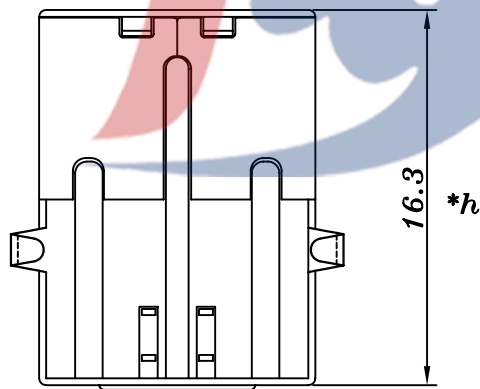


HAOYU

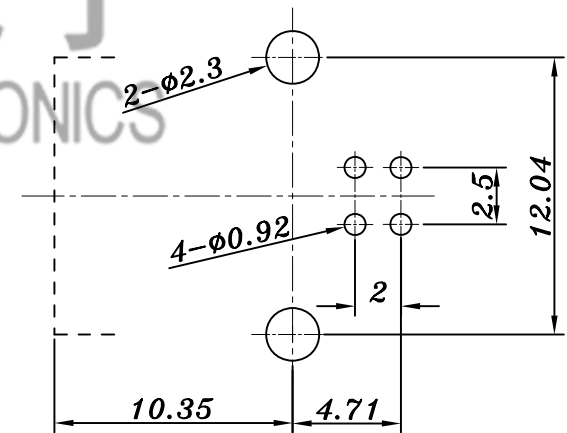



电话 : 0769-82310511-867



皓宇电子
HOOYA ELECTRONICS

PCB LAYOUT



				TOLERANCE UNLESS SPECIFIED							
				UP TO 5mm: ±0.1	ANGULAR	1					
				ABOVE 5mm: ±0.2	±1°	NO	DATE	REVISIONS		BY	APPD
3	CONTACT FOOT	BRONZE	4	Sn/Au-Plated	TITLE: USB JACK		UNIT : MM	ROHS	DWN		
2	COAT	IRON	1	Ni-Plated	MODEL: USB-109-W-CU		SCALE: 1:1	COMPLIANT	CHK'D		
1	HOUSING	LCP	1	WHITE	 HAOYU(HONGKONG)LIMITED 皓宇(香港)有限公司				APPD		
NO.	PART NAME	MATERIAL	QTY	FINISHING					PRO.AGL:	