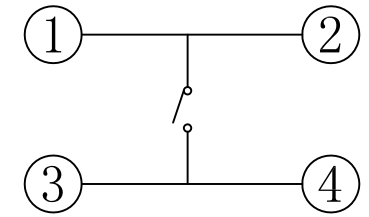
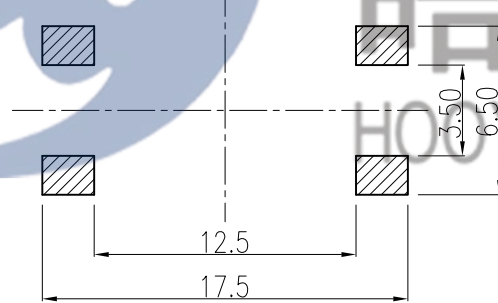
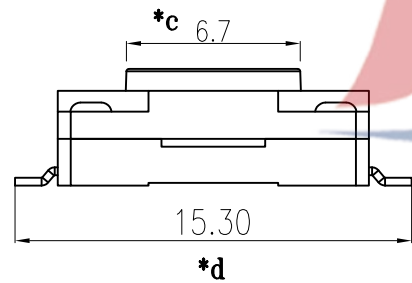


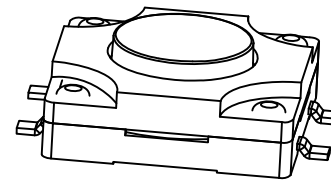
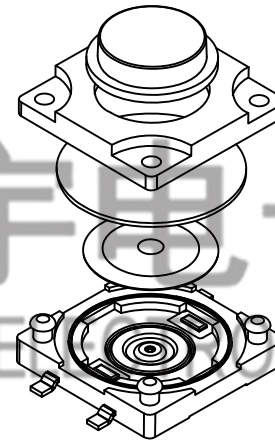
H	
4.3	4.5
5.0	5.5
6.0	6.5
.....	110 ✓
13.0	13.5
14.0	15.0



电路图



PCB. 焊接图



主要技术规格:

1. 额定值: 50mA DC12V
2. 接触电阻: $\leq 50m\Omega$
3. 操作力: $250 \pm 40gf$
4. 行程: $0.45 \pm 0.1mm$
5. 绝缘电阻: $\geq 100M\Omega$
6. 抗电强度: 250V 50HZ 1Min.
7. 寿命: 100,000 Cycles
8. 防水等级: IP67

电话: 0769-82310511-867

					TOLERANCE UNLESS SPECIFIED								
					UP TO 5mm: ± 0.1	ANGULAR	A0						
					ABOVE 5mm: ± 0.2	$\pm 1^\circ$	NO	DATE	REVISIONS		BY	APPD	
6	TERMINAL	BRASS	4	Ag-Plated	TITLE: TACT SWITCH			UNIT: MM	ROHS COMPLIANT	DWN			
5	CASE	PPA	1	BLACK	MODEL: TC-06121FS-110E-03			SCALE: 1:1	CHK'D				
4	WATERPROOF PAD	RUBBER	1	BLACK	DONGGUANG HAOYU ELECTRONICS CO., LTD			APPD					
3	REED	SUS	1	Ag-Plated	东莞市弘皓电子有限公司			PRO.AGL:			REV: A0		
2	COVER	PPA	1	BLACK									
1	BUTTON	PPA	1	BLACK									
NO.	PART NAME	MATERIAL	QTY	FINISHING									