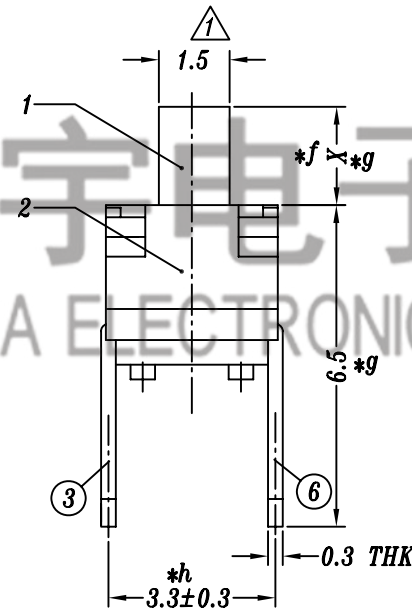
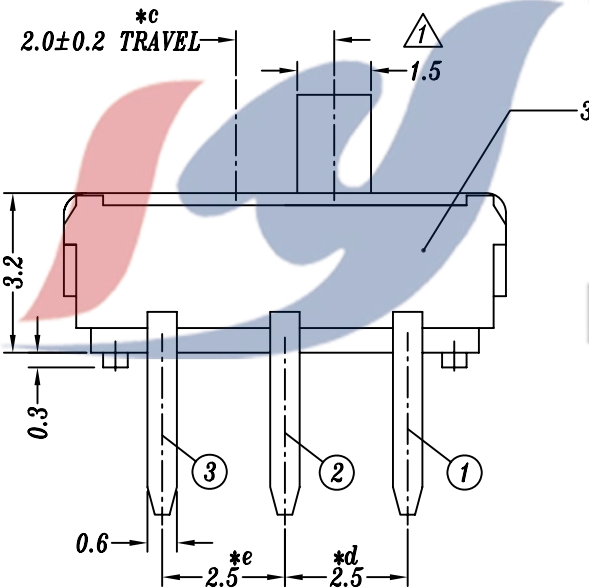
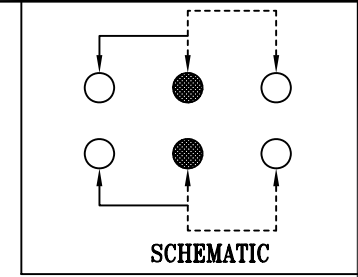


P.C.B LAYOUT



电话：0769-82310511-867

皓宇电子
HOOYA ELECTRONICS

SPECIFICATION

1. Rating: DC 12V 0.3A
 2. Travel: 2 mm
 3. Function: 2P2T
 4. Contact Resistance: < 70mΩ MAX
 5. Operating Force: 150±80gf, 200±80gf, 300±100gf
 6. Life test: 10,000 cycles
- KNOB X=1.5 ,2, 3, 4, 5, 5.5mm

					TOLERANCE		A2	2022.12.05	新增150±80gf力度规格	GYW	
					UNLESS SPECIFIED		A1	2018.06.27	取消部份尺寸重点管控	GYW	
					UP TO 5mm: ±0.1	ANGULAR	A0	2017.07.21	首次发行	GYW	
					ABOVE 5mm: ±0.2	±1°	NO	DATE	REVISIONS	BY	APPD
4	MK22D10A SPRING	Phosphor copper	2	NATURAL	TITLE:MINI SLIDE SWITCH			UNIT : MM	ROHS	DWN	
3	MS22D16 CASE	PA9T/PA10T/BRASS	1	BLACK/Ag PLATED	MODEL: MS-22D16G4-W			SCALE: 6:1	COMPLIANT	CHK'D	
2	MS22D16 COVER 130gf	SUS	1	WASHING	 DONGGUANG HAOYU ELECTRONICS CO., LTD 东莞市弘皓电子有限公司			APPD			
1	MS22D16 KNOB	PA46/PA9T/PA10T	1	WHITE/BLACK				PRO.AGL: 		REV :A2	
NO.	PART NAME	MATERIAL	QTY	FINISHING							