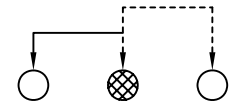


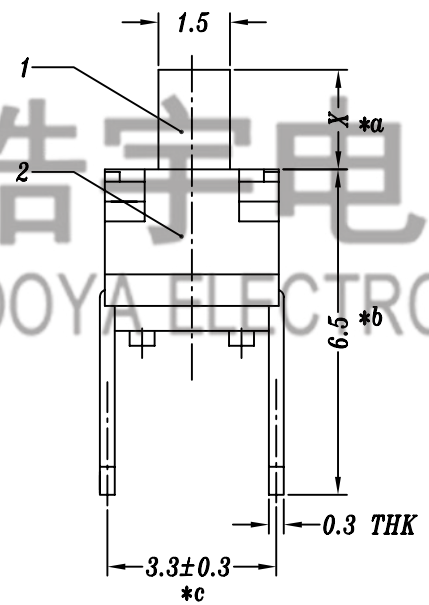
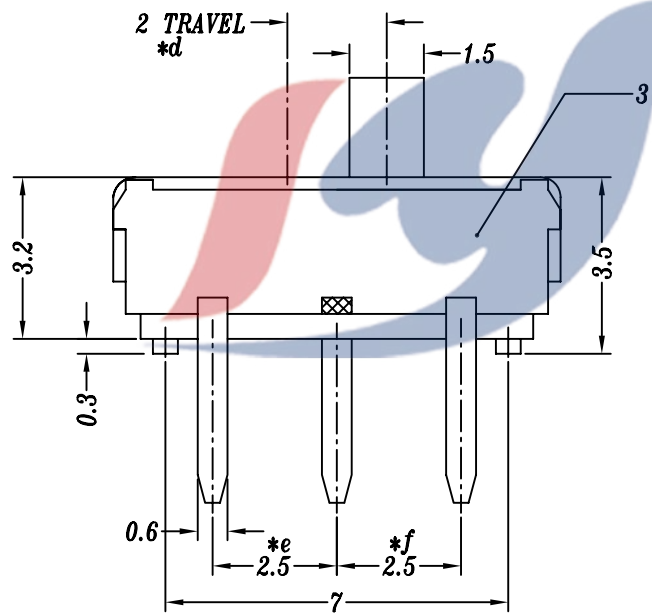
P.C.B LAYOUT



SCHEMATIC

注：接触片分两种

- 1. 铍铜接触片
- 2. 磷铜接触弹线



SPECIFICATION

- 1. Rating: DC 12V 0.3A
- 2. Travel: 2 mm
- 3. Function: 1P2T
- 4. Contact Resistance: ≤70mΩ MAX
- 5. Operating Force: 130±30gf, 200±80gf
- 6. Life test: 10,000 cycles

电话：0769-82310511-867

				TOLERANCE										
				UNLESS SPECIFIED		A2	2019.04.20	▲ 新增柄高1.5 5.0规格		GYW				
				UP TO 5mm: ±0.1	ANGULAR	A1	2016.12.22	新增柄高5.5规格		GYW				
				ABOVE 5mm: ±0.2	±1°	NO	DATE	REVISIONS		BY	APPD			
4	MK22D10 CONTACT/SPRING	BERYLLIUM/PBS	1	Ag PLATED/NATURAL	TITLE:MINI SLIDE SWITCH		UNIT : MM	ROHS COMPLIANT	DWN					
3	MS12D16 CASE	PA9T/0.3mm BRASS STRIP	1	BLACK/Ag(Ni) PLATED	MODEL: MS-12D16G1.5-B		SCALE: 6:1	CHK'D						
2	MS22D16 COVER	0.2mm SUS	1	WASHING	HAOYU(HONGKONG)LIMITED 皓宇(香港)有限公司							APPD		
1	MS22D16 KNOB	PA46/PA9T	1	WHITE/BLACK								PRO.AGL:		REV :A2
NO.	PART NAME	MATERIAL	QTY	FINISHING										