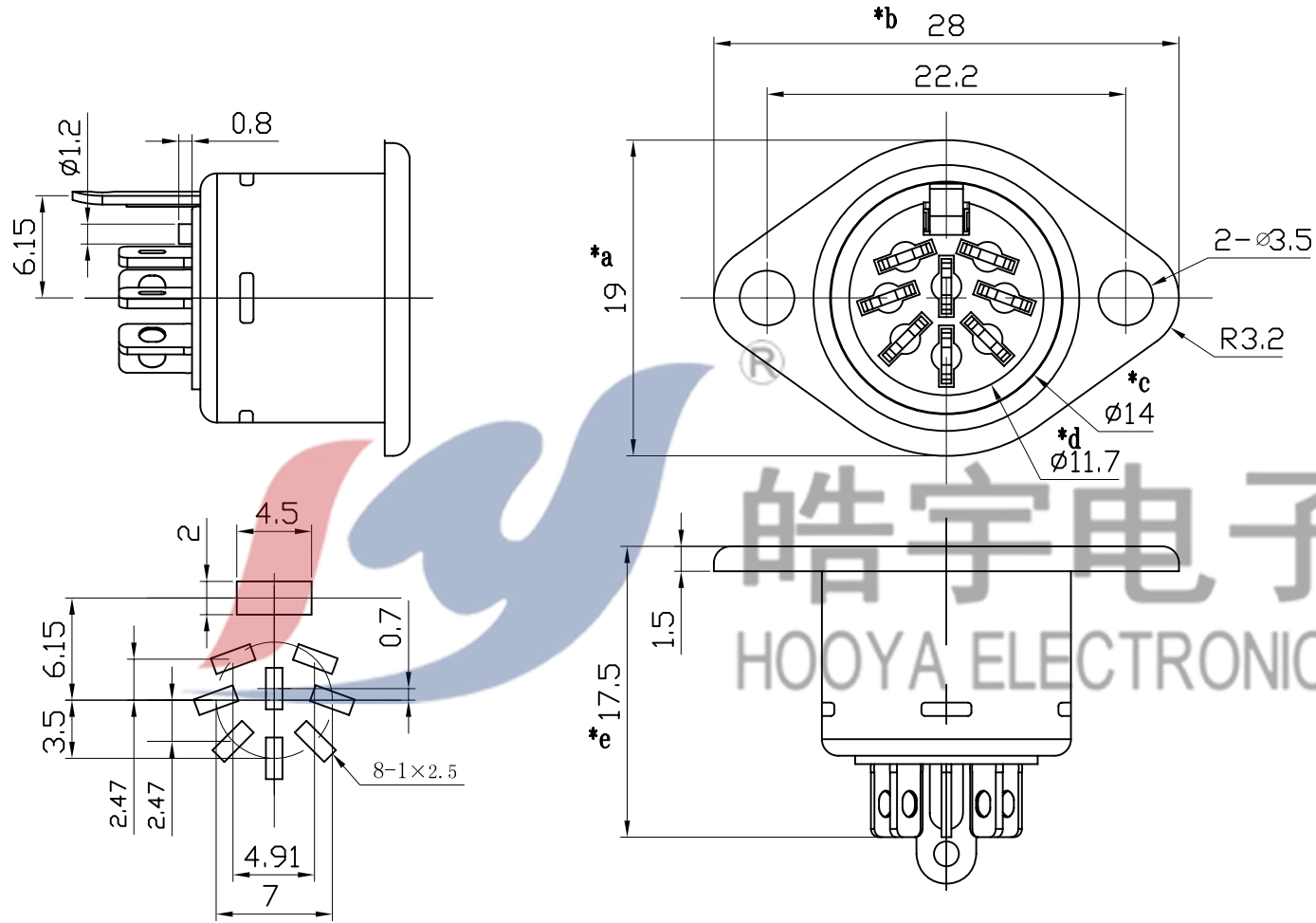


HAOYU


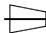



P.C.B LAYOUT

电话：0769-82320511-867

SPECIFICATION

1. Rating : AC100V 2A.
2. Contact resistance:  $\leq 30m\Omega$ .
3. Insulation resistance:  $\geq 100M\Omega$  (DC500V).
4. Withstanding voltage: 500VAC .
5. Insertion and extraction force: 10-70N
5. life test: 5000 cycles.
6. Operation temperature range:  $-25^{\circ}C \sim 85^{\circ}C$ .
7. Sign"\* "is importance dimension.

				TOLERANCE							
				UNLESS SPECIFIED		A2	2023.11.29	增加尺寸标注及更新参数		TQF	
				< 1.5: $\pm 0.1mm$	ANGULAR $\pm 1^{\circ}$	A1	2023.11.7	更新插针外型		WM	
				> 1.5~5.0: $\pm 0.25mm$		NO	DATE	REVISIONS		BY APPD	
				> 5.0: $\pm 0.3mm$							
4	SPRING	PHOSPHOR BRONZE	1	Sn-Plating	TITLE: DIN JACK			UNIT : MM	ROHS	DWN	
3	SLEEVE	IRON	1	Ni-Plating	MODEL: DIN-806H			SCALE: 1:1	COMPLIANT	CHK'D	
2	TERMINAL	BRASS	8	Sn-Plating	 DONGGUANG HAOYU ELECTRONICS CO., LTD 东莞市弘皓电子有限公司			APPD			
1	CASE	PBT	1					PRO.AGL:  		REV :A2	
NO.	PART	NAME	MATERIAL	QTY	FINISHING						