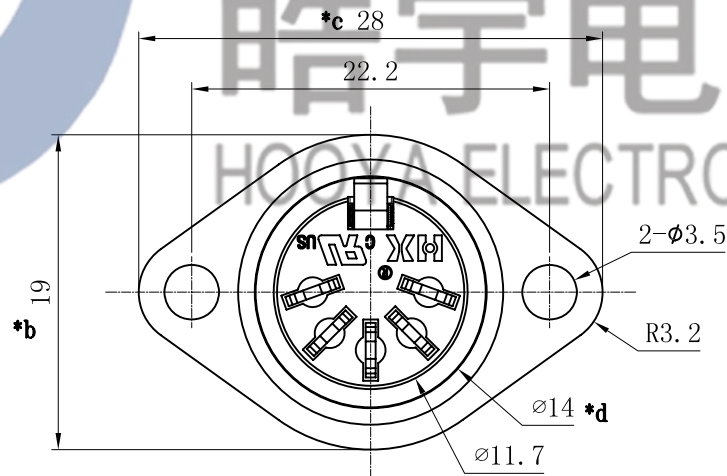
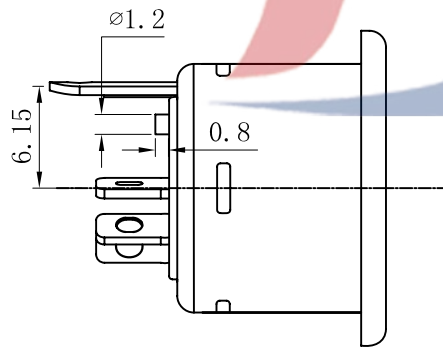
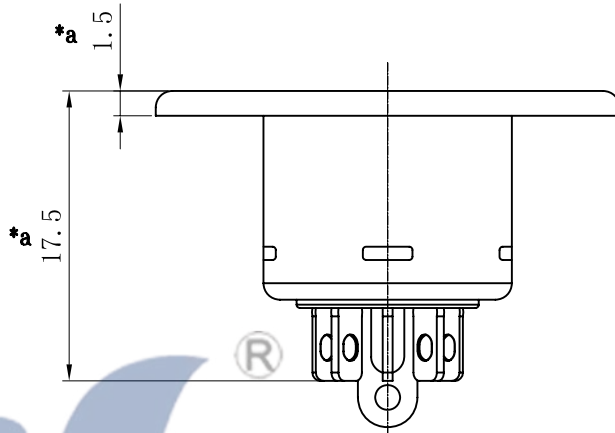


P.C.B LAYOUT



SPECIFICATION

1. Rating : DC 100V 2A.
2. Contact resistance: $\leq 50m\Omega$.
3. Insulation resistance: $\geq 100M\Omega$ (DC500V).
4. Withstanding voltage: 500VAC .
5. Insertion and extraction force: 10-50N
5. life test: 5000 cycles.
6. Operation temperature range: $-25^{\circ}C \sim 85^{\circ}C$.
7. Sign"* "is importance dimension.

电话 : 0769-82320511-867

				TOLERANCE								
				UNLESS SPECIFIED		A2	2023.11.28	更新材质表及增加尺寸		TQF		
				<1.5: ±0.1mm	ANGULAR	A1	2023.3.27	更新材质表		WM		
				>1.5~5.0: ±0.25mm	±1°	NO	DATE	REVISIONS		BY APPD		
				>5.0: ±0.3mm								
4	SPRING	PHOSPHOR BRONZE	1	Sn-PLATED	TITLE: DIN SOCKET			UNIT : MM	ROHS	DWN		
3	SHELL	IRON	1	Ni-PLATED	MODEL: DIN-512H			SCALE: 1:1	COMPLIANT	CHK'D		
2	TERMINAL	BRASS	5	Sn-PLATED	DONGGUANG HAOYU ELECTRONICS CO., LTD 皓宇 东莞市弘皓电子有限公司			APPD				
1	CASE	PBT	1					PRO.AGL:		REV :A2		
NO.	PART	NAME	MATERIAL	QTY	FINISHING							