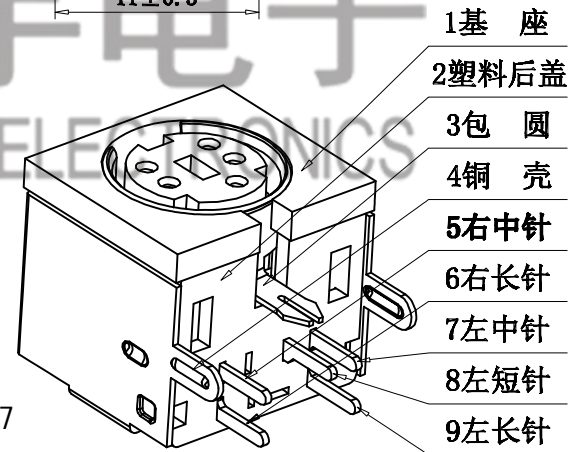


皓宇电子
HOOYA ELECTRONICS



PCB板安装孔图 电话：0769-82320511-867

9	左长针	BRASS	1	Cu/Sn-Plated
8	左短针	BRASS	1	Cu/Sn-Plated
7	左中针	BRASS	1	Cu/Sn-Plated
6	右长针	BRASS	1	Cu/Sn-Plated
5	右中针	BRASS	1	Cu/Sn-Plated
4	铜壳	BRASS	1	Cu/Sn-Plated
3	包圆	BRASS	1	Cu/Sn-Plated
2	塑料后盖	PBT	1	
1	底座	PBT	1	
NO.	PART NAME	MATERIAL	QTY	FINISHING

TOLERANCE UNLESS SPECIFIED									
		UP TO 5mm: ±0.1	ANGULAR	1					
ABOVE 5mm: ±0.2	±1°	NO	DATE	REVISIONS			BY	APPD	
TITLE: DIN SOCKET			UNIT : MM	ROHS	DWN				
MODEL: DIN-502			SCALE: 1:1	COMPLIANT	CHK'D				
DONGGUANG HAOYU ELECTRONICS CO., LTD				APPD					
东莞市弘皓电子有限公司				PRO.AGL:	≡	⊕	REV :A0		