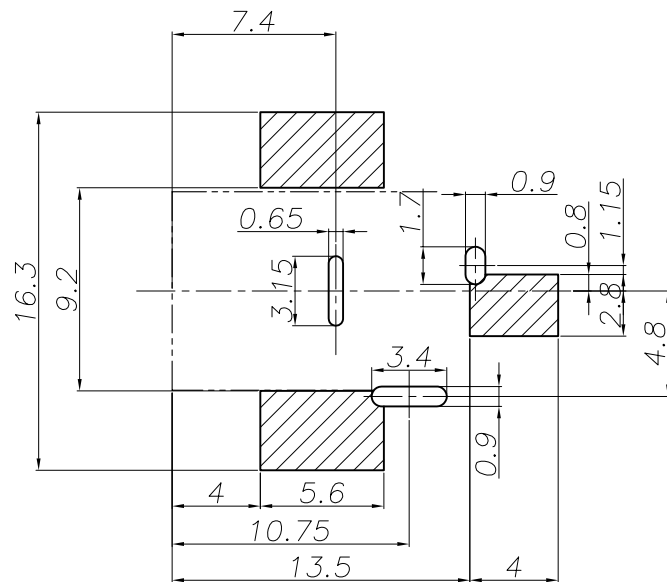
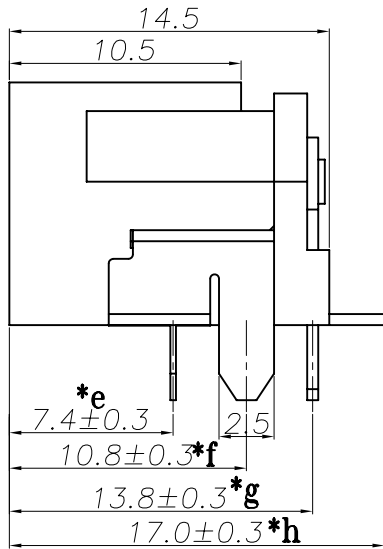
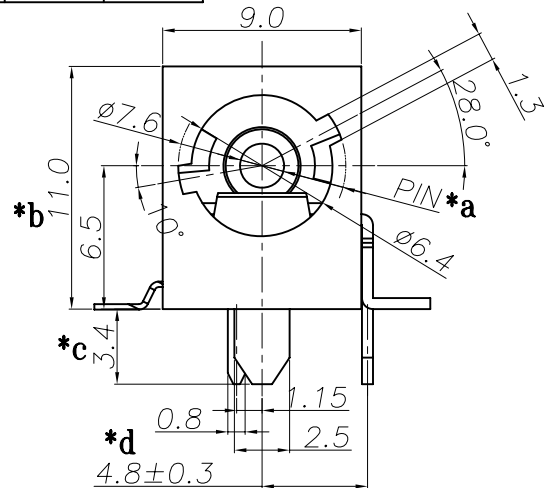
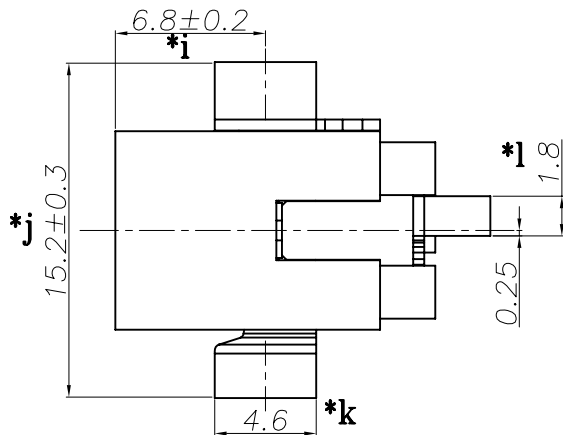
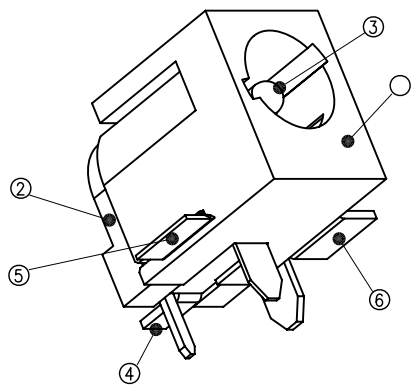


PIN	φ2.0	φ2.5
APPD.	✓	

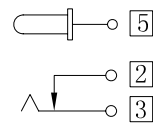


RECOMMENDED P. C. B. LAYOUT
(TOP VIEW)



Specification:

1. Rating : DC 30V 5A;
2. Contact resistance: $\leq 50m\Omega$;
After test: $\leq 100m\Omega$
3. Insulation resistance: $\geq 100M\Omega$ (500VDC);
After test: $\geq 50M\Omega$
4. Withstand voltage: 500VAC ;
5. Insertion and extraction force: 3N~30N;
6. life test: 5000cycles ;
7. Operation temperature range: -20°C~70°C
8. Preservative temperature range: -40°C~85°C



CIRCUIT DIAGRAM

					TOLERANCE UNLESS SPECIFIED										
					UP TO 5mm: ±0.1	ANGULAR									
					ABOVE 5mm: ±0.2	±1°	NO	DATE	REVISIONS		BY	APPD			
6	DC088S 2#CURVE PIECE	BRASS	1	Ag-PLATED											
5	DC088S 3#SPRING	PHOSPHOR BRONZE	1	Ag-PLATED											
4	DC088S 5#FLAT PIECE	BRASS	1	Ag-PLATED	TITLE: DC JACK							UNIT : MM	ROHS COMPLIANT	DWN	
3	DC005 SOLID PIN	BRASS	1	Ni-PLATED	MODEL: DC-088S-PU							SCALE: 1:1		CHK'D	
2	DC088B COVER	PA10T	1	BLACK	DONGGUANG HAOYU ELECTRONICS CO., LTD 皓宇 HOOYA 东莞市弘皓电子有限公司							APPD			
1	DC088S CASE	PA10T	1	BLACK								PRO.AGL:			
NO.	PART NAME	MATERIAL	QTY	FINISHING											