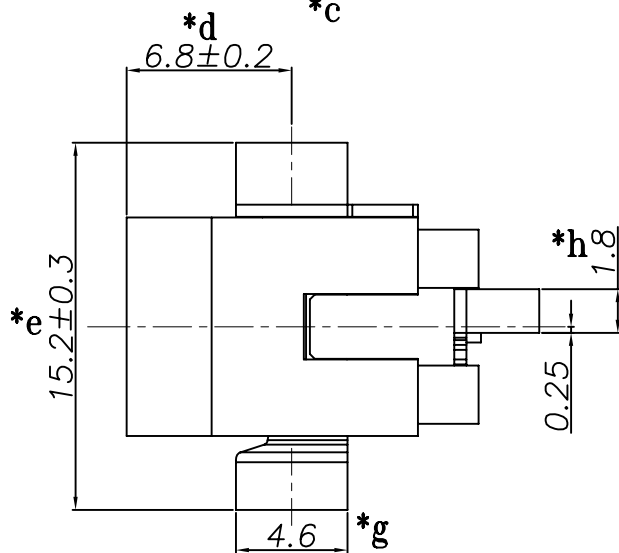
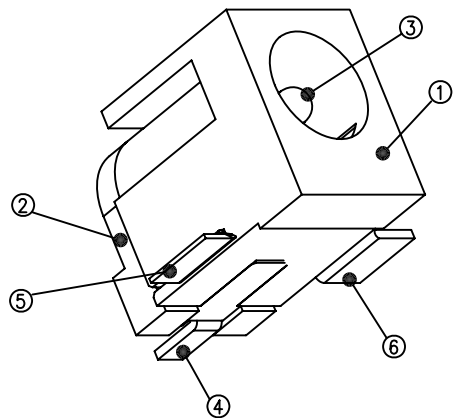
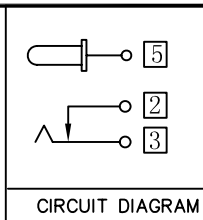
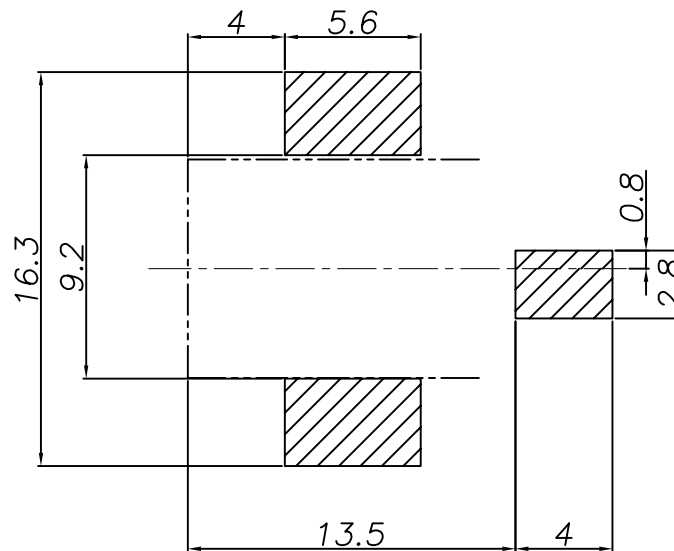
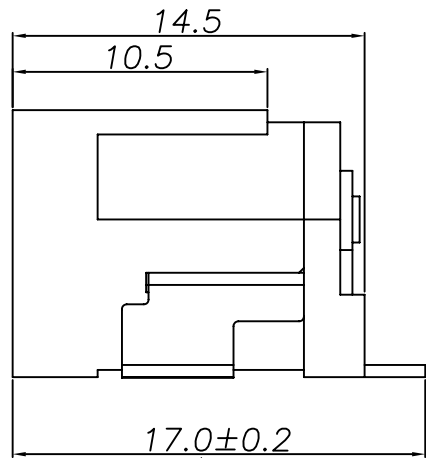
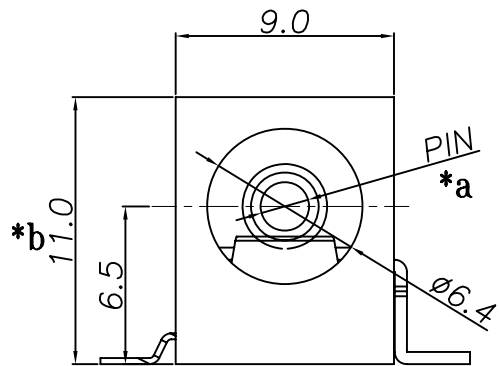


PIN	φ2.0	φ2.5
APPD.		



RECOMMENDED P. C. B. LAYOUT
(TOP VIEW)

Specification:

1. Rating : DC 30V 5A;
2. Contact resistance: $\leq 50m\Omega$;
After test: $\leq 100m\Omega$
3. Insulation resistance: $\geq 100M\Omega$ (500VDC);
After test: $\geq 50M\Omega$
4. Withstand voltage: 500VAC ;
5. Insertion and extraction force: 3N~30N;
6. life test: 5000cycles ;
7. Operation temperature range: -20°C~70°C
8. Preservative temperature range: -40°C~85°C

				TOLERANCE UNLESS SPECIFIED							
				UP TO 5mm: ±0.1	ANGULAR						
				ABOVE 5mm: ±0.2	±1°	NO	DATE	REVISIONS		BY	APPD
6	DC088B 2#CURVE PIECE	BRASS	1	Ag-PLATED	TITLE: DC JACK		UNIT : MM	ROHS	DWN		
5	DC088B 3#SPRING	PHOSPHOR BRONZE	1	Ag-PLATED	MODEL: DC-088C-2.0		SCALE: 1:1	COMPLIANT	CHK'D		
4	DC088B 5#FLAT PIECE	BRASS	1	Ag-PLATED	DONGGUANG HAOYU ELECTRONICS CO., LTD				APPD		
3	DC005 SOLID PIN	BRASS	1	Ni-PLATED	皓宇 HOOYA 东莞市弘皓电子有限公司				PRO.AGL:	REV :A0	
2	DC088B COVER	PA10T	1	BLACK							
1	DC088C CASE	PA10T	1	BLACK							
NO.	PART NAME	MATERIAL	QTY	FINISHING							