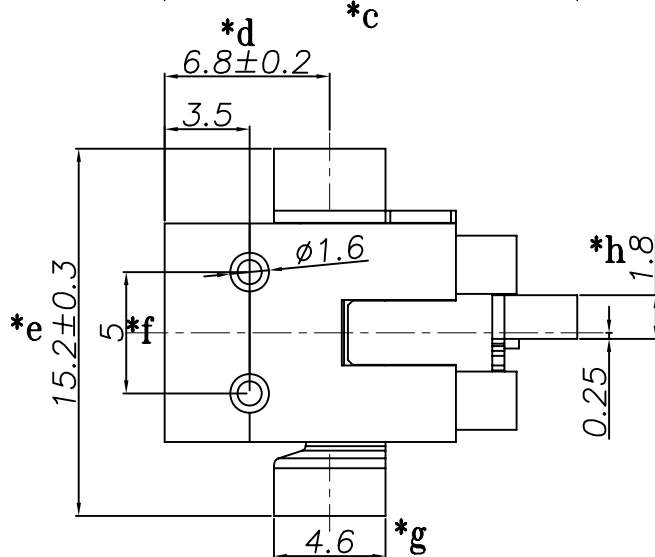
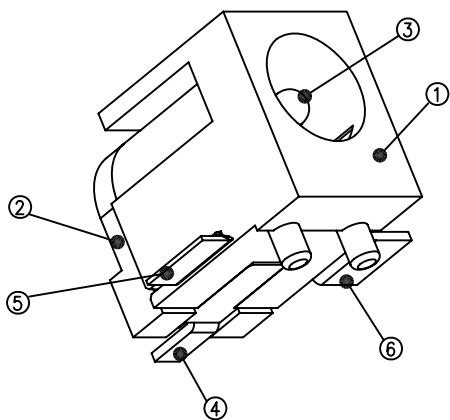
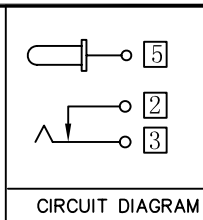
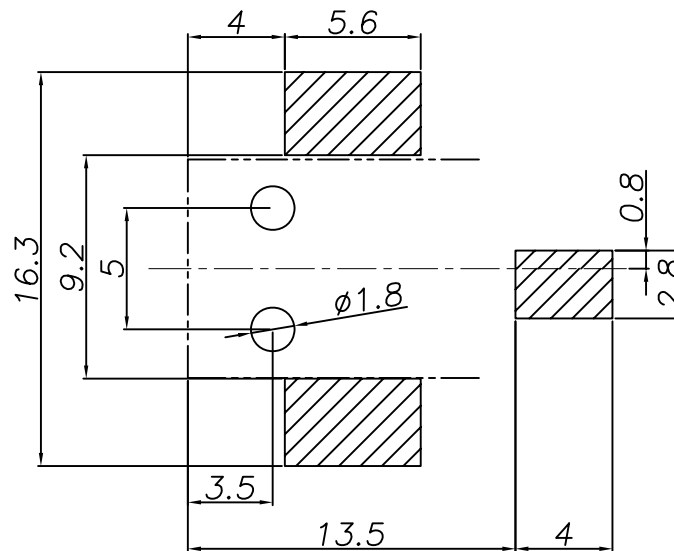
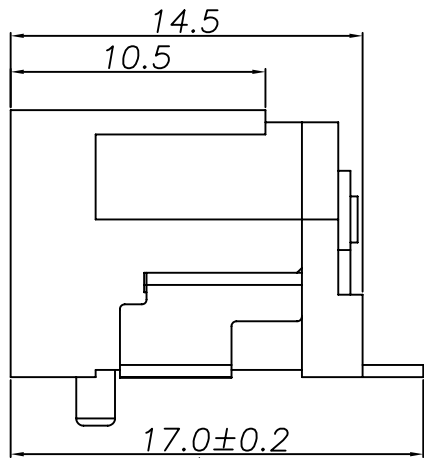
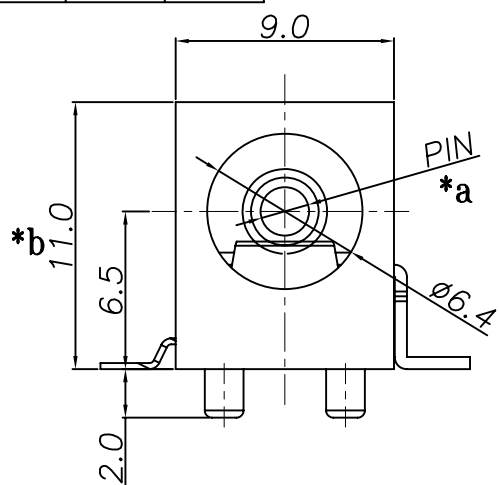


PIN	φ2.0	φ2.5
APPD.		



RECOMMENDED P. C. B. LAYOUT  
(TOP VIEW)

Specification:

1. Rating : DC 30V 5A;
2. Contact resistance: ≤50mΩ;  
After test: ≤100mΩ
3. Insulation resistance: ≥100MΩ (500VDC);  
After test: ≥50MΩ
4. Withstand voltage: 500VAC ;
5. Insertion and extraction force: 3N~30N;
6. life test: 5000cycles ;
7. Operation temperature range: -20°C~70°C
8. Preservative temperature range: -40°C~85°C

					TOLERANCE UNLESS SPECIFIED										
					UP TO 5mm: ±0.1	ANGULAR									
					ABOVE 5mm: ±0.2	±1°	NO	DATE	REVISIONS		BY	APPD			
6	DC088B 2#CURVE PIECE	BRASS	1	Ag-PLATED	TITLE: DC JACK							UNIT : MM	ROHS	DWN	
5	DC088B 3#SPRING	PHOSPHOR BRONZE	1	Ag-PLATED	MODEL: DC-088B-2.0							SCALE: 1:1	COMPLIANT	CHK'D	
4	DC088B 5#FLAT PIECE	BRASS	1	Ag-PLATED	DONGGUANG HAOYU ELECTRONICS CO., LTD										
3	DC005 SOLID PIN	BRASS	1	Ni-PLATED	皓宇 HOOYA 东莞市弘皓电子有限公司										
2	DC088B COVER	PA10T	1	BLACK	APPD										
1	DC088B CASE	PA10T	1	BLACK	PRO.AGL:										REV :A0
NO.	PART NAME	MATERIAL	QTY	FINISHING											