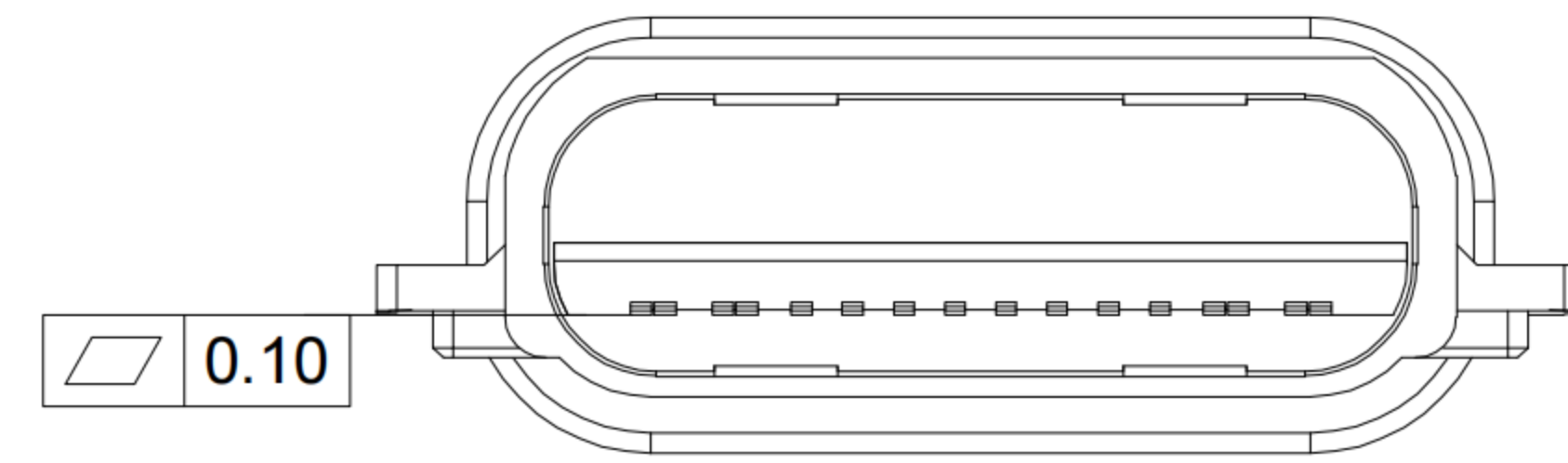
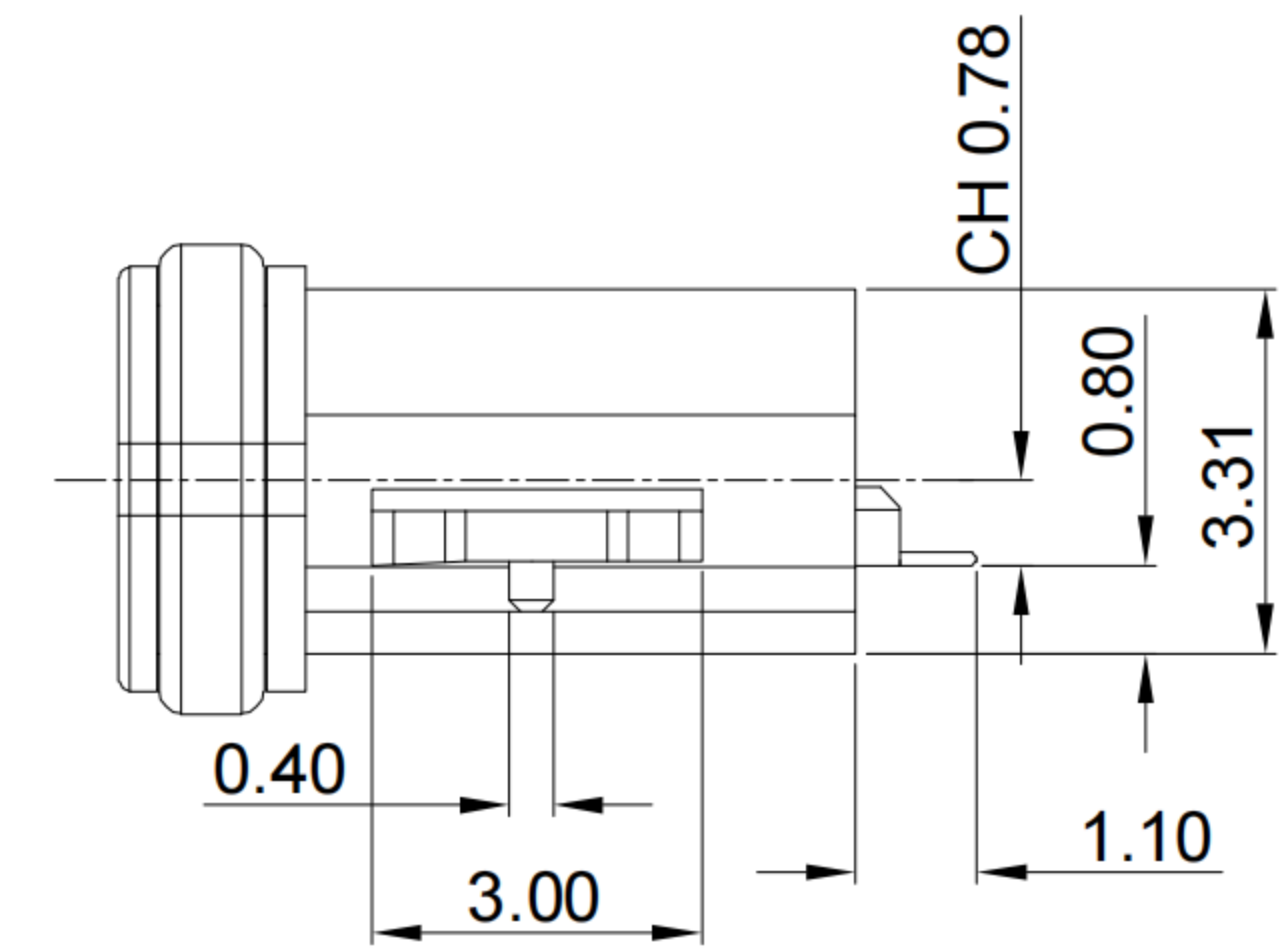
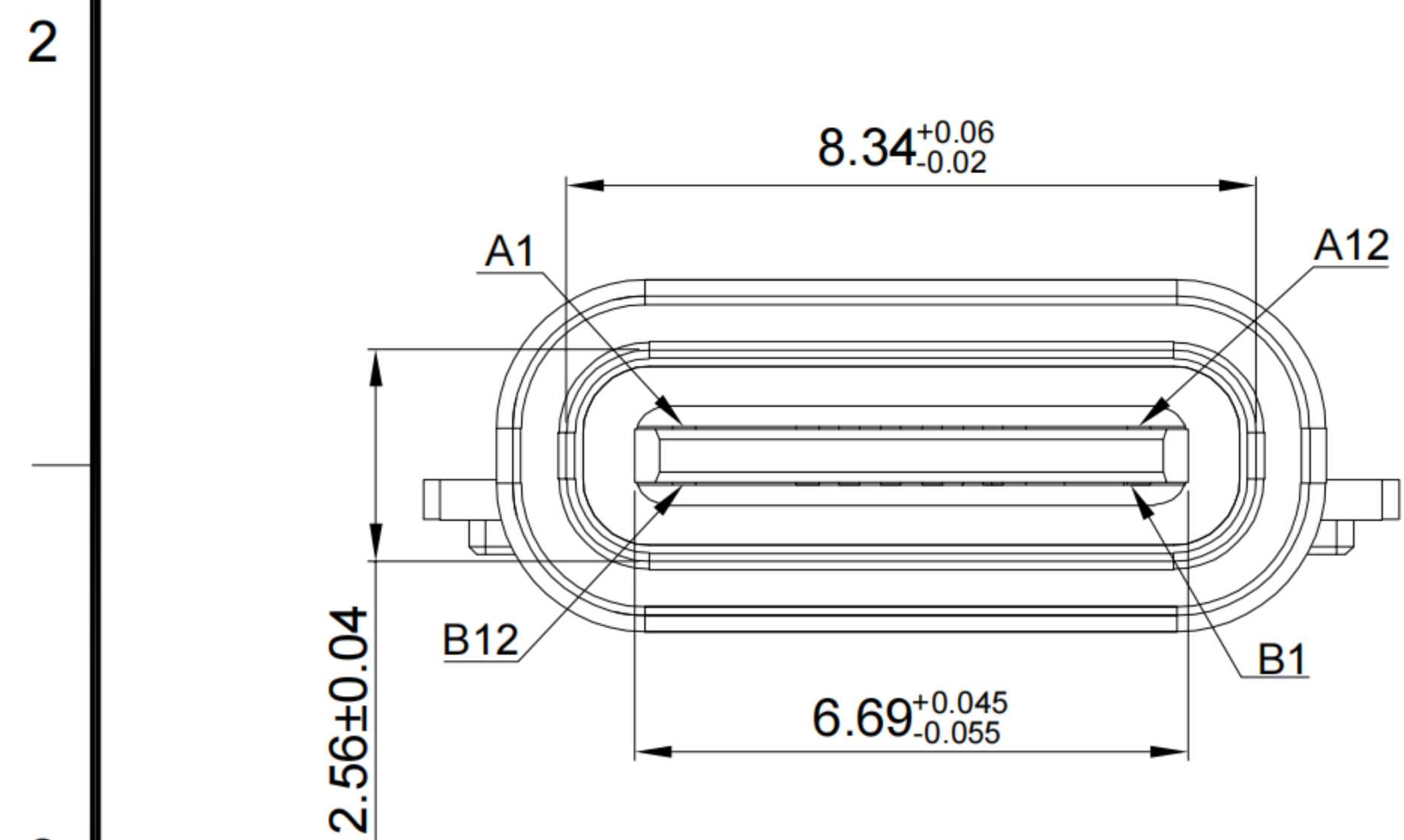
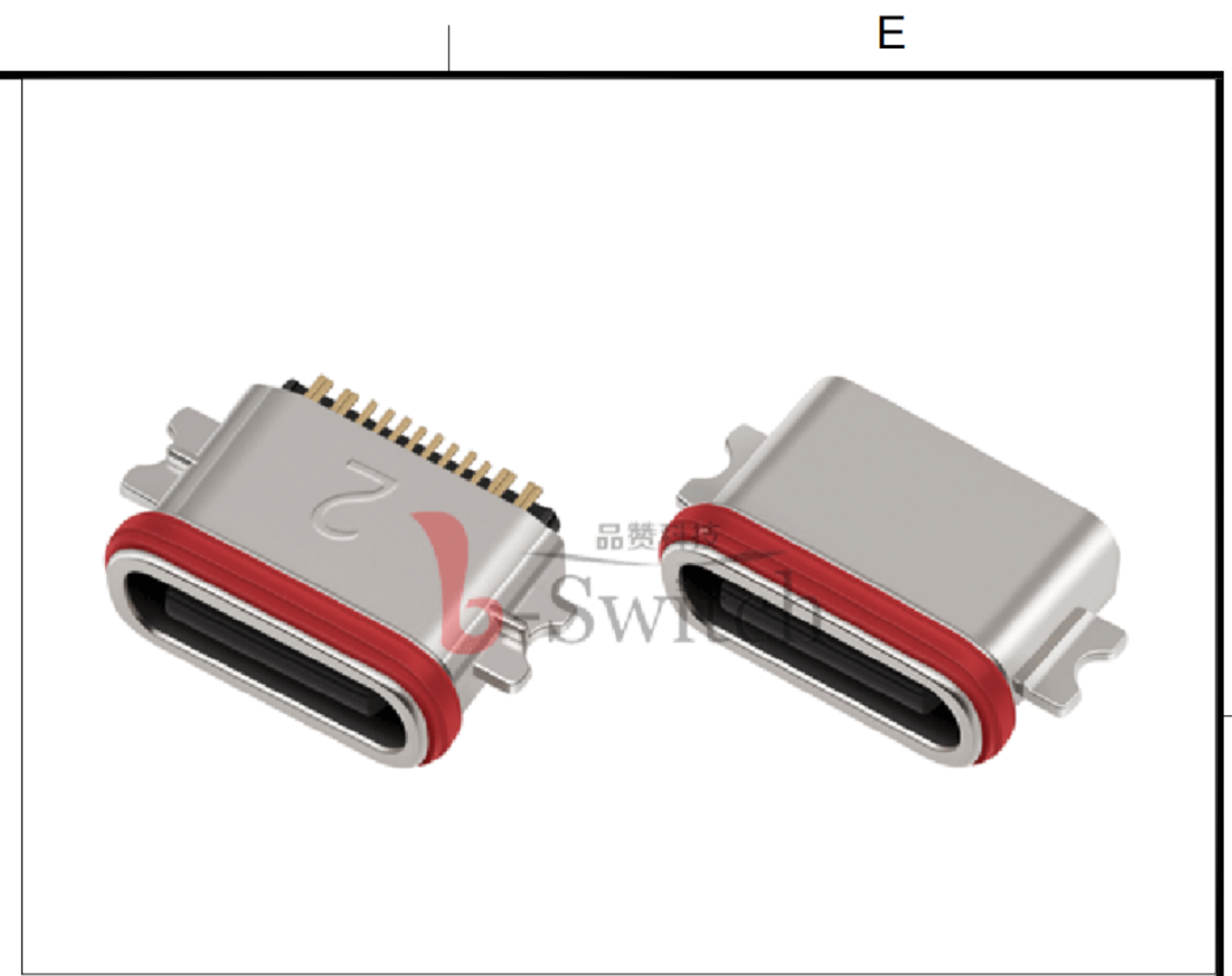
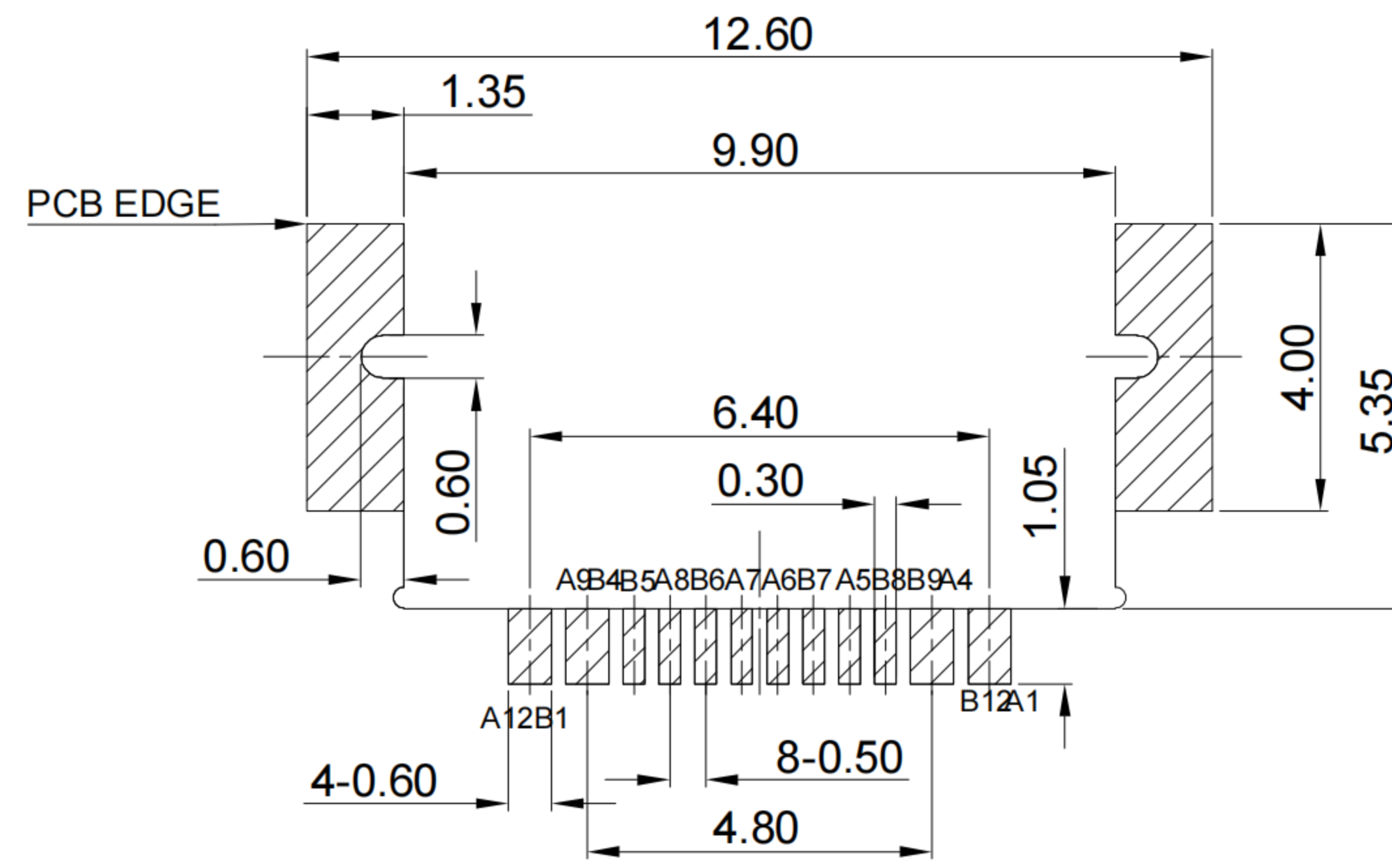
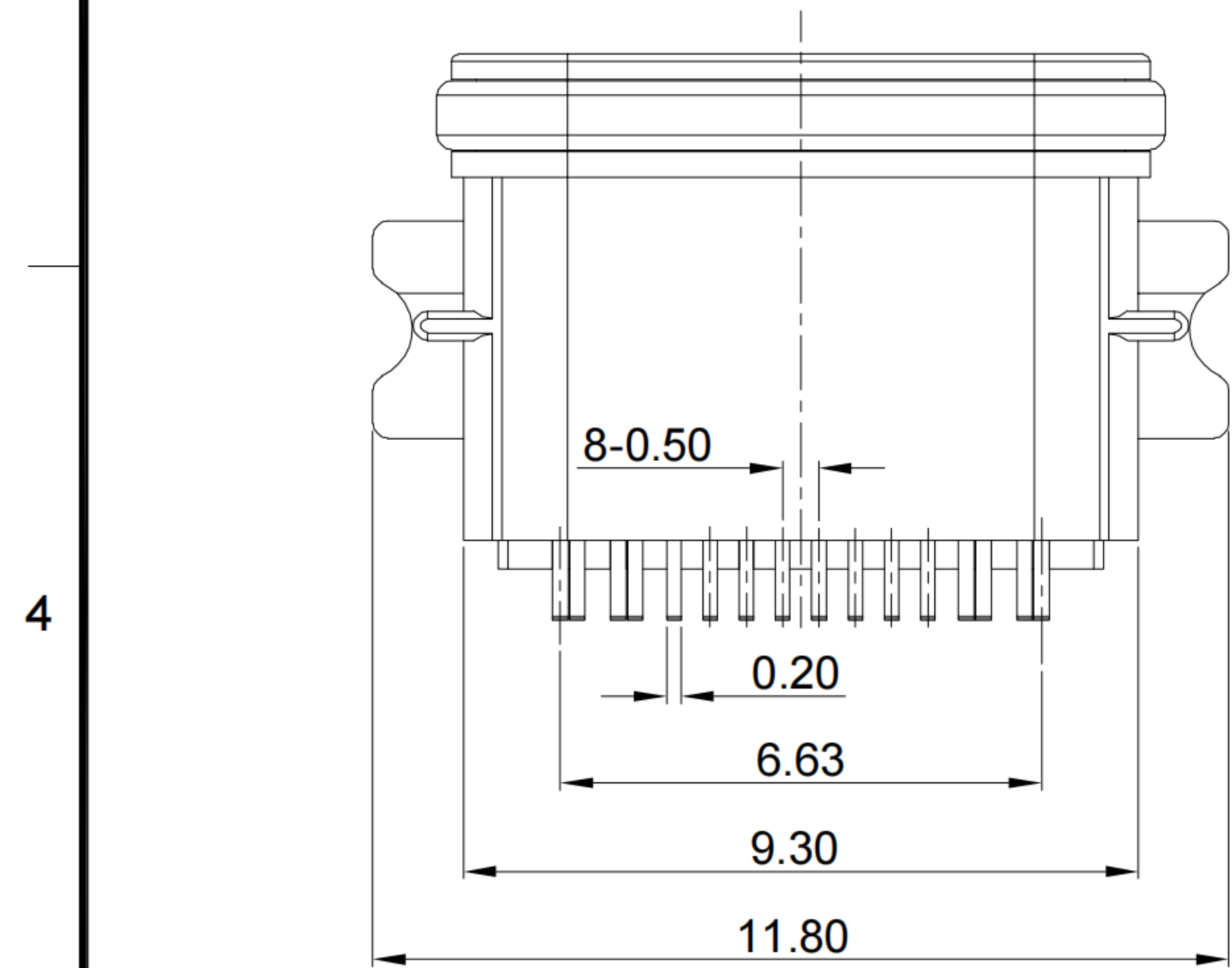


Schematic diagram of waterproof structure
The thickness of the waterproof ring is 0.55, compressed to 0.14-0.2

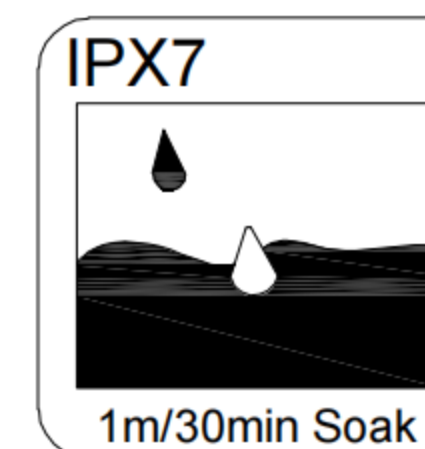


G-Switch USB-C Specification:

- Current rated: 5A on vbus/1.25A on vconn/0.25A on other
Voltage rating: 24V AC
- Withstanding voltage: 100V AC/minute
- Contact resistance: 40mΩ Max
- Insulation resistance: 100MΩ Min
- Operating temperature: -40°C ~ +85°C
- Mating force: 5N~20N
- Unmating force: 8N~20N
- Durability cycle: 10,000 cycles
- Waterproof grade: IP-X7

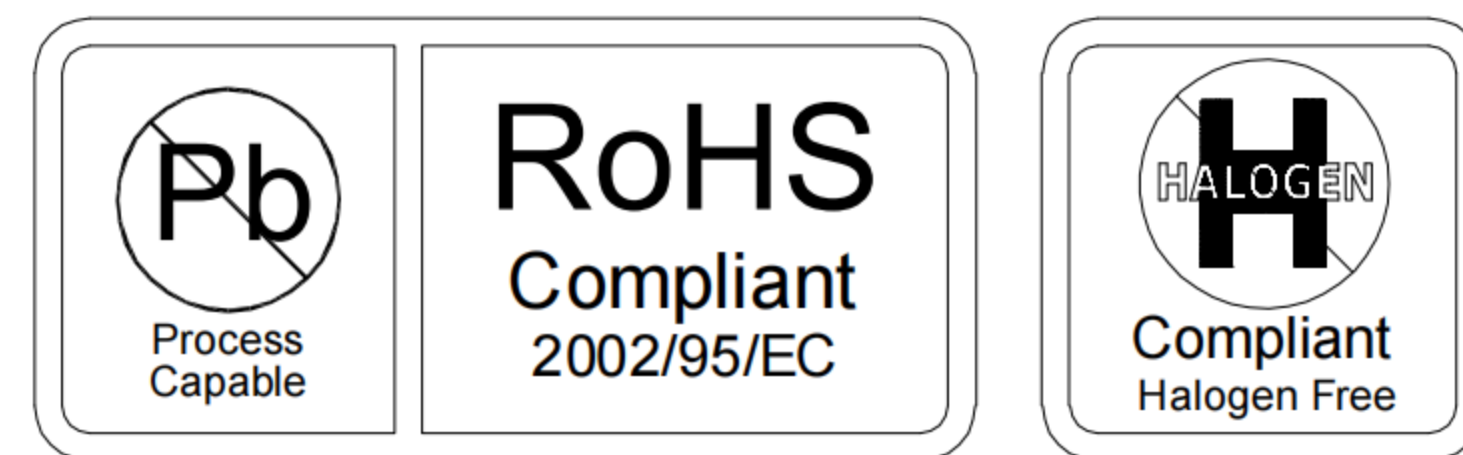


RECOMMENDED PCB LAYOUT
TOLERANCE ±0.05mm



A1	A2	A3	A4	A5	A6	A7	A8	A9	A10	A11	A12
GND			VBUS	CC1	D+	D-	SBU1	VBUS			GND
First			First	Second	Second	Second	Second	First			First
B12	B11	B10	B9	B8	B7	B6	B5	B4	B3	B2	B1
GND			VBUS	SBU2	D-	D+	CC2	VBUS			GND
First			First	Second	Second	Second	Second	First			First

1	SHELL	ZN-ALLOY	NI PLATED
2	MID PLATE	STAINLESS STEEL	---
3	HOUSING	HIGH TEMPERATURE PLASTIC	LCP BLACK UL 94 V-0
4	TERMINALS	COPPER ALLOY	Au PLATING ON CONTACT AREA
5	WATERPROOF RING	SILICA GEL	WHITE OR RED
NO.	PARTS	MATERIAL	REMARKS



SCALE: 1:1 UNIT: mm

SIZE: A4

Unless otherwise
General Tolerance:
X. ±0.20
X.x ±0.15
X.xx ±0.10
X.xxx ±0.05
Angles ±3°

Title: Horizontal Type-c 16P Female
SMT Sink 0.8 CH=0.78 L=6.7mm

Molde Code: GT-USB-7103A

DRAWN	CHECKED	APPROVED	DATE
Xia	Chen	Chen	2022.12.08



REV: A0 SHEET: 1/1