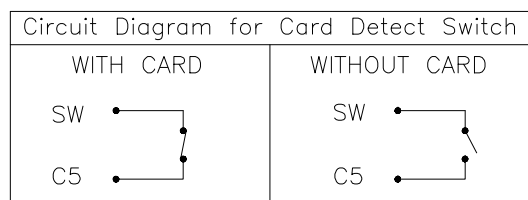
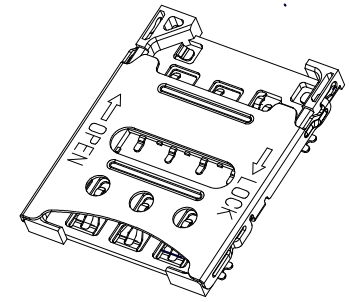
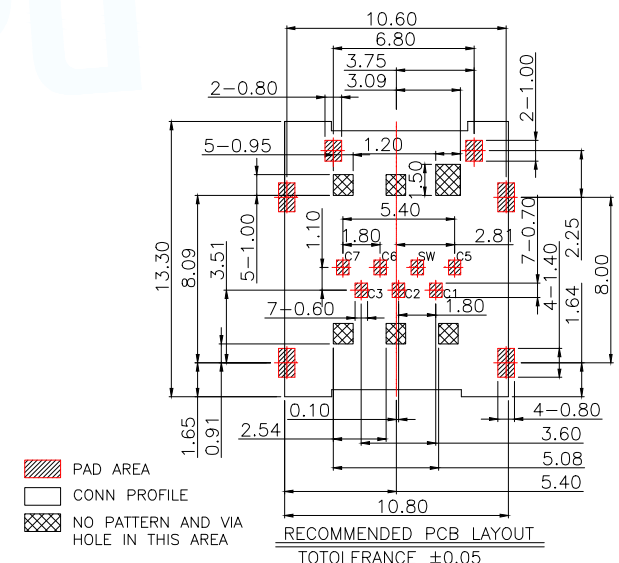
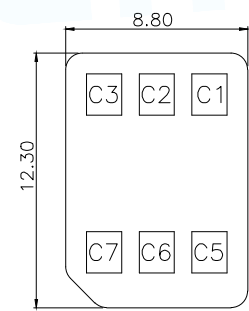
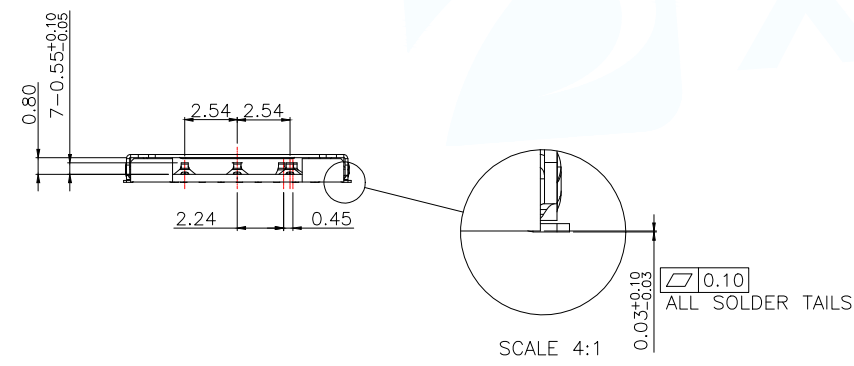


- NOTES:
- MATERIAL:
 - Housing: High Temperature Thermoplastic; UL94V-0; Color Black.
 - Terminal: Copper Alloy, T=0.10mm.
 - Shell: Stainless Steel, T=0.15mm.
 - FINISH:
 - Terminal: Plated Gold on the Contact Area and Solder Tails
 - Peg: Plated Gold on the Solder Tails.
 - SPECIALITY:
 - Rated current: 1.0A
 - Rated voltage: 50V
 - Contact Resistance: 50mΩ MAX
 - Insulation Resistance: 100MΩMIN 100V DC
 - Dielectric withstanding voltage: 100V AC.
 - Durability Cycles: 2000 Cycles.
 - Solder ability: 245±5°C, 5±0.5s.
 - Operating condition: Temperature: -40°C~+85°C



PIN NO	PIN NAME
C1	VCC
C2	RST
C3	CLK
C5	GND
C6	VPP
C7	I/O
SW	Switch Pin

MANUFACTURE DWG		东莞市讯普电子科技有限公司 DongGuan XunPu Electronics Co., Ltd	
UNLESS OTHERWISE SPECIFIED TOLERANCES			TITLE: 1.35 插卡式 NANO SIM CARD WITH SWITCH PIN
DECIMALS:	ANGLES:		PAR SMN-306A-CRP7
X.: ±0.25	X': ±2°		DWN
X.X: ±0.20	X.X': ±1°		CHKD
X.XX: ±0.15		APVD	SCALE: 1:1 UNIT: MM
CUSTOMER COPY		SIZE: A4	SHEET: 1F1
			REV: A