



CHENMKO ENTERPRISE CO.,LTD

Halogens free devices

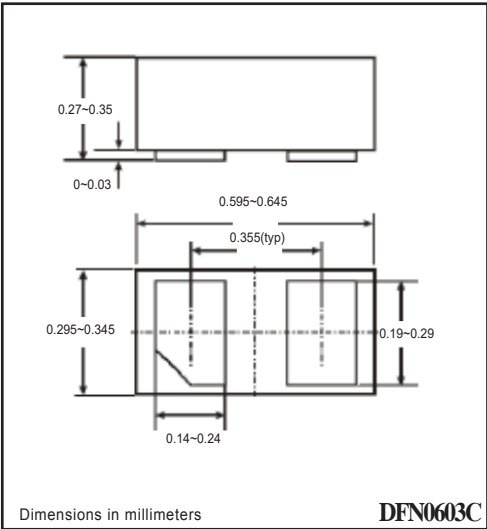
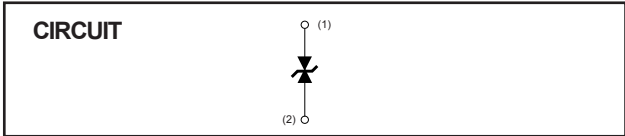
STANDARD CAPACITANCE TVS

TVSNM8VCESGP

FEATURES

- * Low leakage current
- * Low Clamping Voltage
- * IEC61000-4-2 (ESD) +/-25kV (air), +/-25kV (contact)

DFN0603C



MAXIMUM RATINGS (At TA = 25°C unless otherwise noted)

RATINGS	SYMBOL	VALUE	UNITS
Peak Pulse Power at tp = 8X20uSec	PPK	70	Watts
Operating Temperature Range	TJ	-55 to +125	°C
Storage Temperature Range	TSTG	-55 to +150	°C

ELECTRICAL CHARACTERISTICS (At TA = 25°C unless otherwise noted)

PRODUCT NO.	Breakdown Voltage			@ IT (mA)	Working Peak Reverse Voltage Vrwm (V)	Maximum Reverse Leakage at Vrwm Ir (uA)	Maximum Reverse Current at tp = 8X20uSec Ipp (A)	Maximum Reverse Voltage at Ipp (clamping) Vc (V)	Typical Junction Capacitance Ct (pF)
	VBR Volts								
	MIN.	NOM.	MAX.						
TVSNM8VCESGP	8.5	-	12	1	8	0.1	1 5	12 14	8

RATING CHARACTERISTIC CURVES (TVSNM8VCESGP)

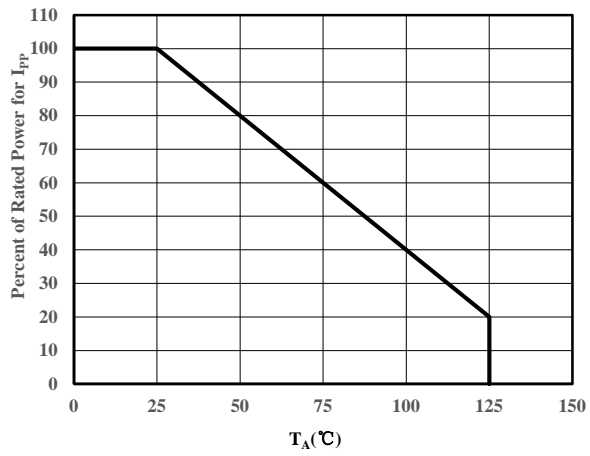


Fig1. Power Derating Curve

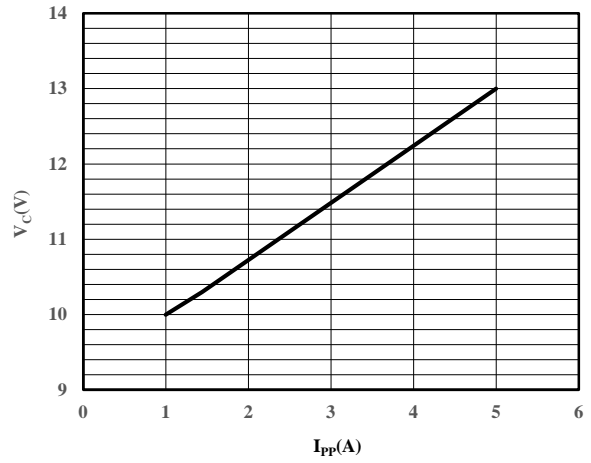


Fig2. Clamping Voltage vs. Peak Pulse Current