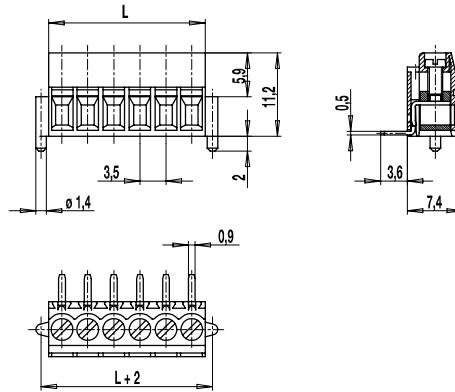
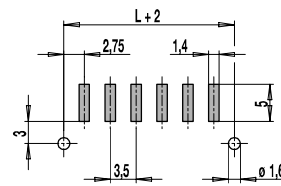


210-A-SMD

PCB connector for SMD
Screw connection, with anti-twist peg



PCB LAYOUT



GENERAL INFORMATION

Pitch	3,5 mm
No. of poles	2 - 12

TECHNICAL DATA

Clamping Range	<i>solid / stranded / AWG</i>		
	0,14 - 1,5 mm ² / 0,14 - 1,5 mm ² / 30 - 16 AWG		
Rated Cross Section	1 mm ²		
Wire Stripping Length	5,5 mm ± 0,5 mm		
Overvoltage Category	III	III	II
Pollution Severity Level	3	2	2
Rated Voltage	160 V	160 V	320 V
Rated Impulse Voltage	2,5 kV	2,5 kV	2,5 kV
Rated Insulation Voltage	130 V acc. to EN 60998-1		
Rated Current	12,5 A		
Soldering process	Reflow solder		
Torque	0,2 Nm		

APPROVALS

	Current [A]	Voltage [V]	Group	AWG	[Nm]
	10	300	B	30 - 16	0,23
	10	300	B	30 - 16	0,22

MATERIAL

Moulding	PA HT, black, V-0
Comparative Tracking Index	CTI ≥ 600
Insulating Group	I
Temperature Range	-40°C up to 120°C; reflow solder temperature peak max. 255°C acc. to DIN EN 61760-1
Terminal body	Nickel plated brass
Pressure clamp	Copper alloy, tin plated
Screw	M2; Copper alloy, tin plated
Solder pin	Copper alloy, tin plated

OPTIONS / ACCESSORIES

- Consecutive numbering
- Special marking according to drawing
- Self-adhesive marking strip BST-3,50 [1]

[1] To be fitted after reflow soldering process

CONFIGURATIONS

Poles	Part number	Article number	Length (L)	Packaging	PU	Tape Width	Tape Height
2	210-A-SMD/02	10.804.202	7,00 mm	Box	900		
3	210-A-SMD/03	10.804.203	10,50 mm	Box	684		
4	210-A-SMD/04	10.804.204	14,00 mm	Box	540		
5	210-A-SMD/05	10.804.205	17,50 mm	Box	450		
6	210-A-SMD/06	10.804.206	21,00 mm	Box	378		
2	210-A-SMD/02-T&R	10.804.202.A00	7,00 mm	Tape-on-Reel	325	44 mm	14,6 mm
3	210-A-SMD/03-T&R	10.804.203.A00	10,50 mm	Tape-on-Reel	325	44 mm	14,6 mm
4	210-A-SMD/04-T&R	10.804.204.A00	14,00 mm	Tape-on-Reel	325	44 mm	14,6 mm
5	210-A-SMD/05-T&R	10.804.205.A00	17,50 mm	Tape-on-Reel	325	44 mm	14,6 mm
6	210-A-SMD/06-T&R	10.804.206.A00	21,00 mm	Tape-on-Reel	325	44 mm	14,6 mm

further number of poles on request

