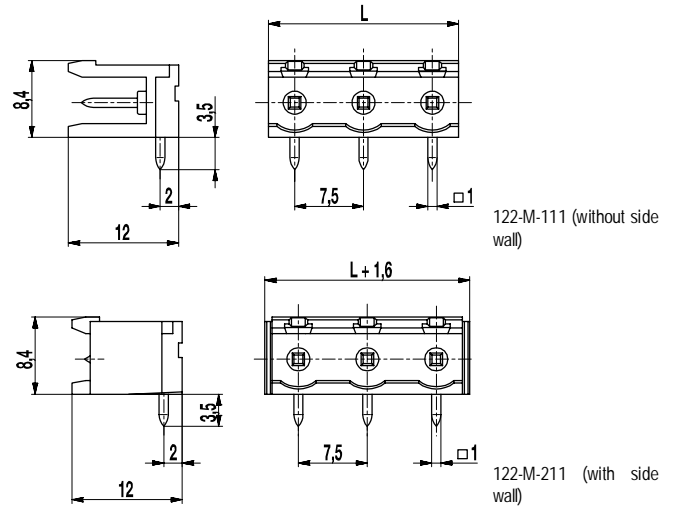


122-M-111/-211

Pin strip
Plug-in direction parallel to PCB



GENERAL INFORMATION

Pitch	7,5 mm
No. of poles	2 - 12
Usable with	all plug connectors of series 122
Additional Information	Ordering information: ...-111: without side wall ...-211: with side wall

TECHNICAL DATA

Overvoltage Category	III	III	II
Pollution Severity Level	3	2	2
Rated Voltage	500 V	630 V	1000 V
Rated Impulse Voltage	6 kV	6 kV	6 kV
Rated Insulation Voltage	750 V acc. to EN 60998-1		
Rated Current	12 A		
Hole in PCB	ø 1,4 mm		

APPROVALS

	Current [A]	Voltage [V]	Group	AWG	[Nm]
	15	300	B		
	10	300	D		
	15	300	B		
	10	300	D, E		

MATERIAL

Moulding	PA, grey, V-0
Comparative Tracking Index	CTI ≥ 600
Insulating Group	I
Temperature Range	-40°C up to 100°C
Solder pin	1,0 x 1,0 mm; tin plated brass

OPTIONS / ACCESSORIES

- Consecutive numbering
- Special marking according to drawing
- Self-adhesive marking strip BST-7,50
- Coding elements 120-K
- Longer P.C. pins on request
- Connectors equipped with coding elements on request

CONFIGURATIONS

Poles	Part number	Article number	Part number	Article number	Length (L)	Packaging	PU
2	122-M-111/02	10.807.002	122-M-211/02	10.807.017	13,00 mm	Box	200
3	122-M-111/03	10.807.003	122-M-211/03	10.807.018	20,50 mm	Box	100
4	122-M-111/04	10.807.004	122-M-211/04	10.807.019	28,00 mm	Box	100
5	122-M-111/05	10.807.005	122-M-211/05	10.807.020	35,50 mm	Box	50
6	122-M-111/06	10.807.006	122-M-211/06	10.807.021	43,00 mm	Box	50

