

Features

- 2-pin lead-less package
- Junction capacitance (Max value: 350pF)
- Peak Pulse current (8/20 μ s) MAX : 40A
- IEC61000-4-2 (ESD) \pm 30kV (air), \pm 30kV (contact)
- Low leakage current
- Working voltages:7V
- RoHS Compliant

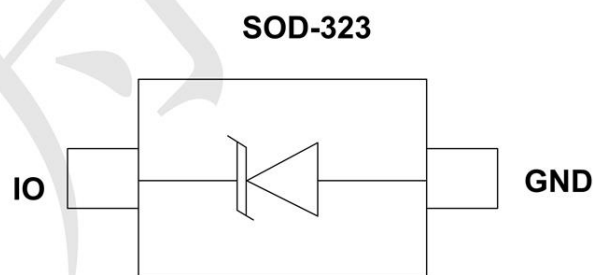
Mechanical Characteristics

- Package: SOD-323
- Lead Finish:Matte Tin
- Case Material: “Green” Molding Compound.
- UL Flammability Classification Rating 94V-0
- Moisture Sensitivity: Level 3 per J-STD-020
- Tape Reel :3000pcs

Applications

- Laptop Computers
- Cellular Phones
- Digital Cameras
- Personal Digital Assistants(PDAs)

Dimensions and Pin Configuration



Marking: D07

Absolute Maximum Ratings (Tamb=25°C unless otherwise specified)

Parameters	Symbol	Value	Unit
Peak Pulse Power (tp=8/20μs waveform)	P _{PP}	720	W
Peak Pulse Current (8/20μs)	I _{PP}	40	A
ESD per IEC 61000-4-2 (Air) ESD per IEC 61000-4-2 (Contact)	V _{ESD}	±30 ±30	KV
Operating Temperature Range	T _J	-55 to +125	°C
Storage Temperature Range	T _{stg}	-55 to +150	°C

Electrical Characteristics (TA=25°C unless otherwise specified)

Parameter	Symbol	Test Condition	Min	Typ	Max	Unit
Reverse Working Voltage	V _{RWM}				7	V
Reverse Breakdown Voltage	V _{(BR)R}	I _R = 1mA	7.5		9.5	V
Reverse Leakage Current	I _R	V _R = 7V			0.5	uA
Clamping voltage	V _C	I _{PP} = 1A, T _P =8/20us			10	V
Clamping voltage	V _C	I _{PP} = 24A, T _P =8/20us			14	V
Clamping voltage	V _C	I _{PP} = 40A, T _P =8/20us			18	V
Junction capacitance	C _j	V _R = 0V, f = 1MHz			350	pF

Typical Performance Characteristics (TA=25°C unless otherwise Specified)

FIG1: Power rating derating curve

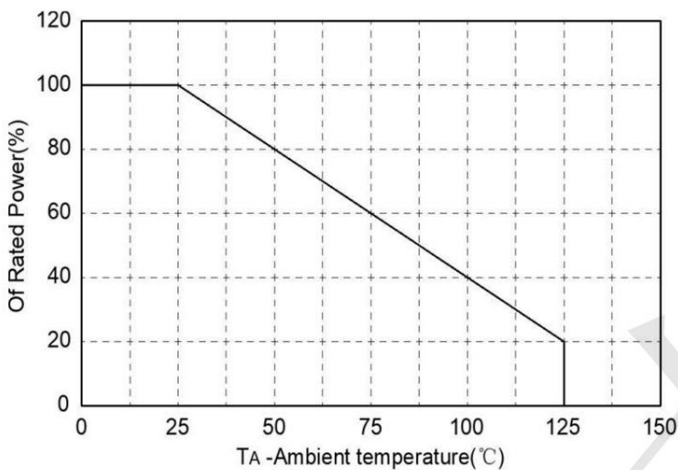


FIG2: pulse Waveform

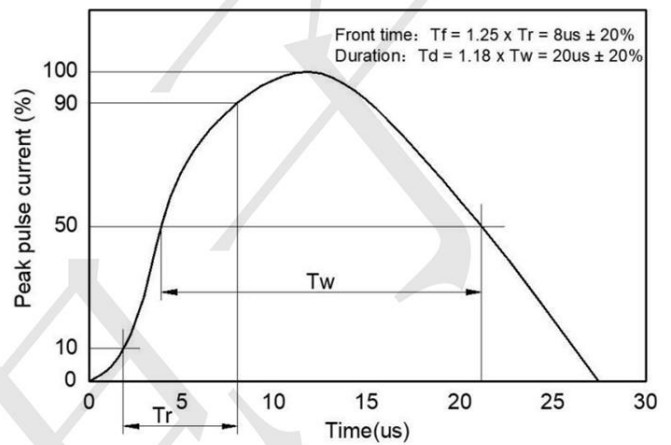


FIG3: Capacitance between terminals characteristics

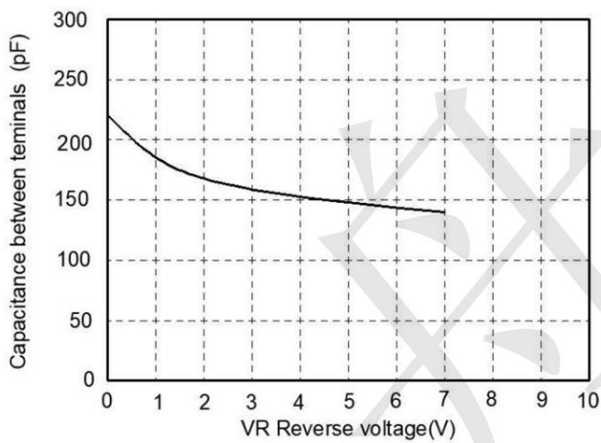
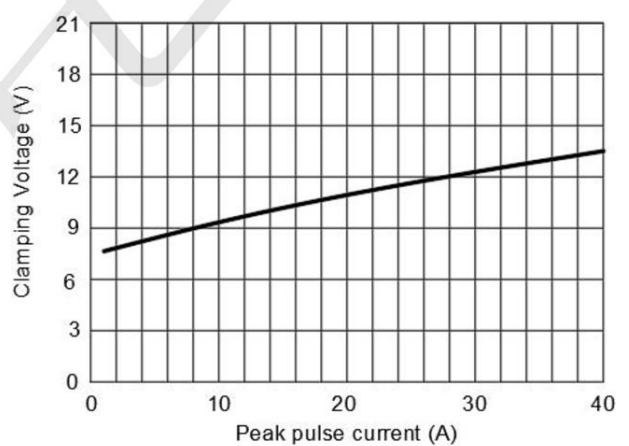
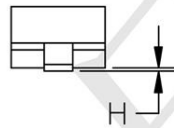
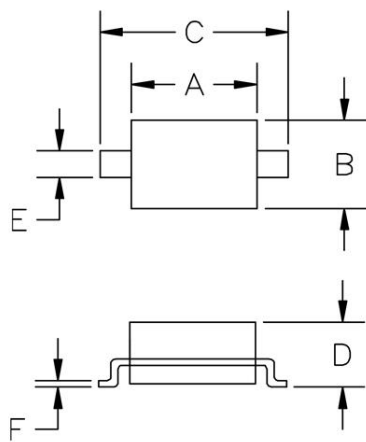


FIG4: Clamping Voltage vs. Peak Pulse Current

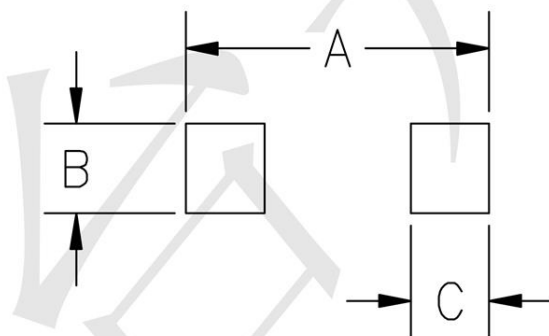


Outline Drawing - SOD-323



SYM	DIMENSIONS			
	MILLIMETERS		INCHES	
	MIN	MAX	MIN	MAX
A	1.50	1.80	0.060	0.071
B	1.20	1.40	0.045	0.054
C	2.30	2.70	0.090	0.107
D	-	1.10	-	0.043
E	0.30	0.40	0.012	0.016
F	0.10	0.25	0.004	0.010
H	-	0.10	-	0.004

Land Pattern - SOD-323



SYM	DIMENSIONS	
	MILLIMETERS	INCHES
A	3.15	0.120
B	0.80	0.031
C	0.80	0.031