



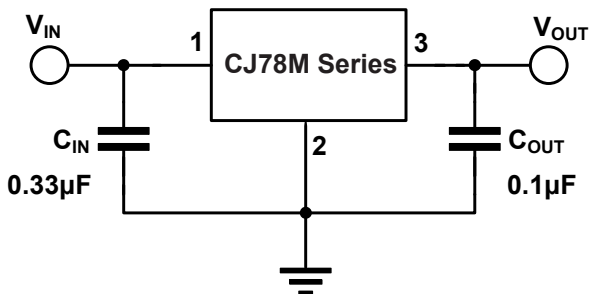
## CJ78M Series Three Terminal Positive Voltage Regulators

### 1 Introduction

The CJ78M series is a group of three terminal positive voltage linear regulators with multiple fixed output voltages. In the case of good heat dissipation, it can provide an output current of 500mA, and has internal short-circuit protection and thermal shutdown protection, which makes it not affected by overload. In addition to being used as fixed voltage regulators, these devices can also be used with external components to obtain adjustable output voltage and current, and can also be used as power transmission elements in precision regulators.

### 2 Available Packages

PART NUMBER	PACKAGES
CJ78M Series	TO-220-3L
	TO-251-3L
	TO-251S
	TO-252-2L



Fixed Output Voltage Regulator

### 3 Features

- Output Current:  
up to 500mA at  $T_J = 25^\circ\text{C}$
- Available Output Fixed Voltage:  
5.0V, 6.0V, 8.0V, 9.0V and 12V
- Output Voltage Tolerance:  
 $\pm 3\%$  at  $T_J = 25^\circ\text{C}$   
 $\pm 5\%$  over the Operating  $T_J$
- Line Regulation:  
3.0 ~ 10mV (Typ.) at  $T_J = 25^\circ\text{C}$
- Load Regulation:  
15 ~ 25mV (Typ.) at  $T_J = 25^\circ\text{C}$
- Dropout Voltage: 2.0V@350mA
- Power Supply Rejection Ratio:  
80dB@120Hz (Typ.)
- Operating Junction Temperature:  
-40 ~ 125°C
- Built-in Current Limit
- Short Circuit Protection
- Thermal Shutdown Protection

### 4 Applications

- Appliances and White Goods
- Building Automation
- Computing & Servers
- Electronic Point-of-sale
- Motor Drives
- On-Card Regulation
- Portable Devices
- Telecommunications
- TVs and Set-top Boxes

**5 Orderable Information**

MODEL	DEVICE	PACKAGE	OP T <sub>J</sub>	ECO PLAN	MSL	PACKING OPTION	SORT
CJ78M-5.0	CJ78M05	TO-220-3L	-40 ~ 125°C	RoHS & Green	Level 3 168 HR	Tube 50 Units / Rail	Active
CJ78M-6.0	CJ78M06	TO-220-3L	-40 ~ 125°C	RoHS & Green	Level 3 168 HR	Tube 50 Units / Rail	Active
CJ78M-8.0	CJ78M08	TO-220-3L	-40 ~ 125°C	RoHS & Green	Level 3 168 HR	Tube 50 Units / Rail	Active
CJ78M-9.0	CJ78M09	TO-220-3L	-40 ~ 125°C	RoHS & Green	Level 3 168 HR	Tube 50 Units / Rail	Active
CJ78M-12	CJ78M12	TO-220-3L	-40 ~ 125°C	RoHS & Green	Level 3 168 HR	Tube 50 Units / Rail	Active
CJ78M-5.0	CJ78M05	TO-251-3L	-40 ~ 125°C	RoHS & Green	Level 3 168 HR	Tube 80 Units / Rail	Active
CJ78M-6.0	CJ78M06	TO-251-3L	-40 ~ 125°C	RoHS & Green	Level 3 168 HR	Tube 80 Units / Rail	Active
CJ78M-8.0	CJ78M08	TO-251-3L	-40 ~ 125°C	RoHS & Green	Level 3 168 HR	Tube 80 Units / Rail	Active
CJ78M-9.0	CJ78M09	TO-251-3L	-40 ~ 125°C	RoHS & Green	Level 3 168 HR	Tube 80 Units / Rail	Active
CJ78M-12	CJ78M12	TO-251-3L	-40 ~ 125°C	RoHS & Green	Level 3 168 HR	Tube 80 Units / Rail	Active
CJ78M-5.0	CJ78M05	TO-251S	-40 ~ 125°C	RoHS & Green	Level 3 168 HR	Tube 80 Units / Rail	Active
CJ78M-5.0	CJ78M05	TO-252-2L	-40 ~ 125°C	RoHS & Green	Level 3 168 HR	Tape and Reel 2500 Units / Rail	Active
CJ78M-6.0	CJ78M06	TO-252-2L	-40 ~ 125°C	RoHS & Green	Level 3 168 HR	Tape and Reel 2500 Units / Rail	Active
CJ78M-8.0	CJ78M08	TO-252-2L	-40 ~ 125°C	RoHS & Green	Level 3 168 HR	Tape and Reel 2500 Units / Rail	Active
CJ78M-9.0	CJ78M09	TO-252-2L	-40 ~ 125°C	RoHS & Green	Level 3 168 HR	Tape and Reel 2500 Units / Rail	Active
CJ78M-12	CJ78M12	TO-252-2L	-40 ~ 125°C	RoHS & Green	Level 3 168 HR	Tape and Reel 2500 Units / Rail	Active
Others	-	-	-	-	-	-	Customized

## 5 Orderable Information

**Note:**

**ECO PLAN:** For the RoHS and Green certification standards of this product, please refer to the official report provided by JSCJ.

**MSL:** Moisture Sensitivity Level. Determined according to JEDEC industry standard classification.

**SORT:** Specifically defined as follows:

Active: Recommended for new products;

Customized: Products manufactured to meet the specific needs of customers;

Preview: The device has been released and has not been fully mass produced. The sample may or may not be available;

NoRD: It is not recommended to use the device for new design. The device is only produced for the needs of existing customers;

Obsolete: The device has been discontinued.

## 6 Pin Configuration and Marking Information

### 6.1 Pin Configuration and Function

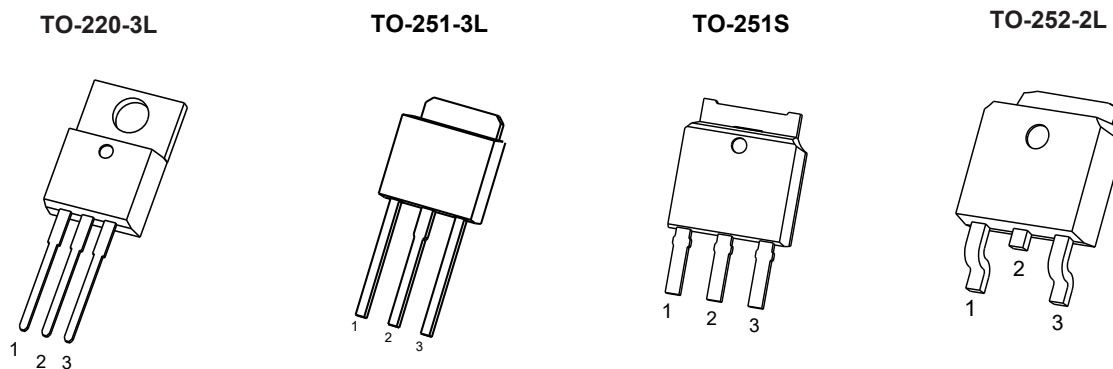
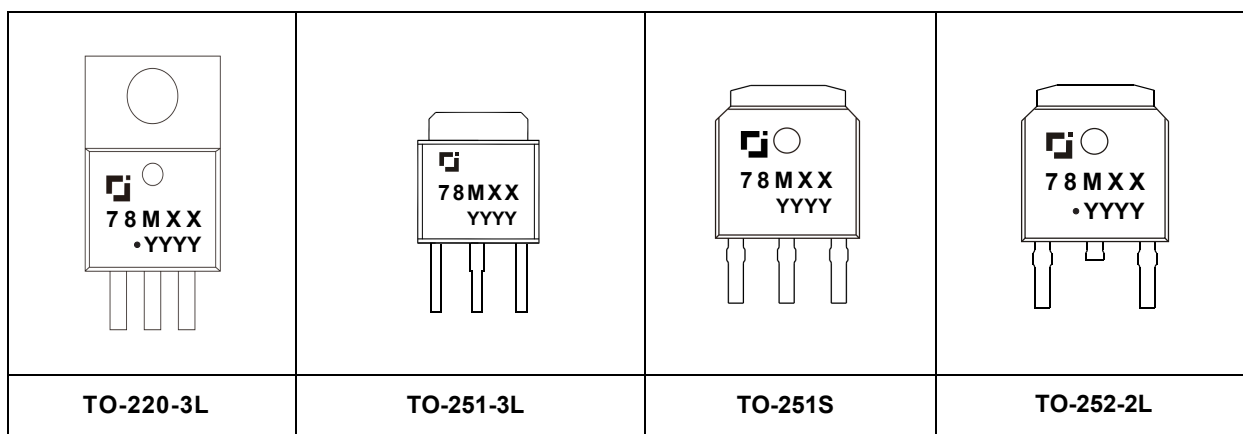


Figure 6-1. CJ78M Series Packages Top View

PIN NAME	CJ78M Series				I / O	DESCRIPTION
	TO-220-3L	TO-251-3L	TO-251S	TO-252-2L		
IN	1	1	1	1	I	Input to the device.
GND	2	2	2	2	-	Regulator ground.
OUT	3	3	3	3	O	Output of the regulator.

### 6.2 Marking Information

Figure 6-2. CJ78M Series Marking Information



"78MXX": Device code, the "XX" in the "78MXX" represents the output voltage, for example, if  $V_{OUT} = 5.0V$ , the "XX" is "05".

"•" **Solid Dot**: For CJ78M series, in the marking of TO-220-3L and TO-252-2L packages, solid dot represent that the product is a green molding compound device. If none, it means the package is a normal device. It should be noted that this solid dot cannot be used as a basis to distinguish whether other packages of CJ78M series are green molding compound devices.

"YYYY": Code.

## 7 Specifications

### 7.1 Absolute Maximum Ratings

(over operating free-air temperature range, unless otherwise specified)<sup>(1)</sup>

CHARACTERISTIC		SYMBOL	VALUE	UNIT
Maximum input voltage <sup>(2)</sup>		V <sub>IN</sub>	35	V
Maximum power dissipation	CJ78M Series	TO-220-3L	Internally Limited <sup>(3)</sup>	W
		TO-251-3L		
		TO-251S		
		TO-252-2L		
Maximum junction temperature		T <sub>J Max</sub>	150	°C
Storage temperature		T <sub>stg</sub>	-65 ~ 150	°C
Soldering temperature & time		T <sub>solder</sub>	260°C, 10s	-

(1) Stresses beyond those listed under *Absolute Maximum Ratings* may cause permanent damage to the device. These are stress ratings only, which do not imply functional operation of the device at these or any other conditions beyond those indicated under *Recommended Operating Conditions*. Exposure to absolute maximum rated conditions for extended periods may affect device reliability.

(2) All voltages are with respect to network ground terminal.

(3) Refer to *Thermal Information* for details.

### 7.2 Recommended Operating Conditions

PARAMETER	SYMBOL	MIN.	NOM.	MAX.	UNIT
Operating junction temperature	T <sub>J</sub>	-40	-	125	°C
Operating ambient temperature	T <sub>A</sub>	-	-(4)	-	°C

(4) It is necessary to ensure that the operating junction temperature of the equipment does not exceed the rated value of the recommended operating conditions when using the device for design.

## 7 Specifications

### 7.3 ESD Ratings

ESD RATINGS		SYMBOL	VALUE	UNIT
Electrostatic discharge <sup>(5)</sup>	Human body model	V <sub>ESD-HBM</sub>	2000	V
	Machine model	V <sub>ESD-MM</sub>	200	

(6) ESD testing is conducted in accordance with the relevant specifications formulated by the Joint Electronic Equipment Engineering Commission (JEDEC). The human body mode (HBM) electrostatic discharge test is based on the JESD22-114D test standard, using a 100pF capacitor and discharging to each pin of the device through a resistance of 1.5kΩ. The electrostatic discharge test in mechanical mode (MM) is based on the JESD22-A115-A test standard and uses a 200pF capacitor to discharge directly to each pin of the device.

### 7.4 Thermal Information

THERMAL METRIC <sup>(6)</sup>	SYMBOL	CJ78M Series				UNIT
		TO-220-3L	TO-251-3L	TO-251S	TO-252-2L	
Junction-to-ambient thermal resistance	R <sub>θJA</sub>	66.7	80.0	80.0	80.0	°C/W
Junction-to-case thermal resistance	R <sub>θJC</sub>	5.5	9.0	9.5	6.0	°C/W
Reference maximum power dissipation	P <sub>D Ref</sub>	1.50	1.25	1.25	1.25	W

(6) Thermal metric is measured in still air with T<sub>A</sub> = 25°C and installed on a 1 in<sup>2</sup> FR-4 board covered with 2 ounces of copper, the thermal resistance test of TO-220-3L packages did not add additional radiators.

## 7 Specifications

### 7.5 Electrical Characteristics

**CJ78M05 ( $V_{IN} = 10V$ ,  $I_{OUT} = 350mA$ ,  $C_{IN} = 0.33\mu F$ ,  $C_{OUT} = 0.1\mu F$ ,  $T_J = 25^\circ C$ , unless otherwise specified)**

CHARACTERISTIC	SYMBOL	TEST CONDITIONS <sup>(7)</sup>	MIN.	TYP. <sup>(8)</sup>	MAX.	UNIT
Output voltage <sup>(9)</sup>	$V_{OUT}$	-	4.85	5.00	5.15	V
		$V_{IN} = 7$ to $20V$ , $I_{OUT} = 5$ to $350mA$	4.75	5.00	5.25	
Line regulation	LNR	$V_{IN} = 7$ to $25V$ , $I_{OUT} = 200mA$	-	3.0	100	mV
		$V_{IN} = 8$ to $25V$ , $I_{OUT} = 200mA$	-	1.0	50	
Load regulation	LDR	$I_{OUT} = 5$ to $500mA$	-	15	100	mV
		$I_{OUT} = 5$ to $200mA$	-	5.0	50	
Quiescent current	$I_Q$	-	-	4.2	6.0	mA
Quiescent current change	$\Delta I_Q$	$V_{IN} = 8$ to $25V$ , $I_{OUT} = 200mA$	-	-	0.8	mA
		$I_{OUT} = 5$ to $350mA$	-	-	0.5	
Output noise voltage	$V_N$	$f = 10$ to $100kHz$	-	40	200	$\mu V$
Ripple rejection	RR	$V_{IN} = 8$ to $18V$ , $I_{OUT} = 300mA$ , $f = 120Hz$	62	80	-	dB
Dropout voltage <sup>(10)</sup>	$V_D$	$I_{OUT} = 350mA$	-	2.0	2.5	V
Short circuit current	$I_{SC}$	$V_{IN} = 10V$ , OUT short to GND	-	300	-	mA
Peak current	$I_{Peak}$	-	-	0.5	-	A

**CJ78M06 ( $V_{IN} = 11V$ ,  $I_{OUT} = 350mA$ ,  $C_{IN} = 0.33\mu F$ ,  $C_{OUT} = 0.1\mu F$ ,  $T_J = 25^\circ C$ , unless otherwise specified)**

CHARACTERISTIC	SYMBOL	TEST CONDITIONS <sup>(7)</sup>	MIN.	TYP. <sup>(8)</sup>	MAX.	UNIT
Output voltage <sup>(9)</sup>	$V_{OUT}$	-	5.82	6.00	6.18	V
		$V_{IN} = 8$ to $21V$ , $I_{OUT} = 5$ to $350mA$	5.70	6.00	6.30	
Line regulation	LNR	$V_{IN} = 8$ to $25V$ , $I_{OUT} = 200mA$	-	5.0	100	mV
		$V_{IN} = 9$ to $25V$ , $I_{OUT} = 200mA$	-	1.5	50	
Load regulation	LDR	$I_{OUT} = 5$ to $500mA$	-	18	120	mV
		$I_{OUT} = 5$ to $200mA$	-	10	60	
Quiescent current	$I_Q$	-	-	4.3	6.0	mA
Quiescent current change	$\Delta I_Q$	$V_{IN} = 9$ to $25V$ , $I_{OUT} = 200mA$	-	-	0.8	mA
		$I_{OUT} = 5$ to $350mA$	-	-	0.5	
Output noise voltage	$V_N$	$f = 10$ to $100kHz$	-	45	-	$\mu V$
Ripple rejection	RR	$V_{IN} = 9$ to $19V$ , $I_{OUT} = 300mA$ , $f = 120Hz$	59	80	-	dB
Dropout voltage <sup>(10)</sup>	$V_D$	$I_{OUT} = 350mA$	-	2.0	-	V
Short circuit current	$I_{SC}$	$V_{IN} = 11V$ , OUT short to GND	-	270	-	mA
Peak current	$I_{Peak}$	-	-	0.5	-	A

## 7 Specifications

### 7.5 Electrical Characteristics (continued)

**CJ78M08** ( $V_{IN} = 14V$ ,  $I_{OUT} = 350mA$ ,  $C_{IN} = 0.33\mu F$ ,  $C_{OUT} = 0.1\mu F$ ,  $T_J = 25^\circ C$ , unless otherwise specified)

CHARACTERISTIC	SYMBOL	TEST CONDITIONS <sup>(7)</sup>	MIN.	TYP. <sup>(8)</sup>	MAX.	UNIT
Output voltage <sup>(9)</sup>	$V_{OUT}$	-	7.76	8.00	8.24	V
		$V_{IN} = 10.5$ to $23V$ , $I_{OUT} = 5$ to $350mA$	7.60	8.00	8.40	
Line regulation	LNR	$V_{IN} = 10.5$ to $25V$ , $I_{OUT} = 200mA$	-	6.0	100	mV
		$V_{IN} = 11$ to $25V$ , $I_{OUT} = 200mA$	-	2.0	50	
Load regulation	LDR	$I_{OUT} = 5$ to $500mA$	-	20	160	mV
		$I_{OUT} = 5$ to $200mA$	-	10	80	
Quiescent current	$I_Q$	-	-	4.6	6.0	mA
Quiescent current change	$\Delta I_Q$	$V_{IN} = 10.5$ to $25V$ , $I_{OUT} = 200mA$	-	-	0.8	mA
		$I_{OUT} = 5$ to $350mA$	-	-	0.5	
Output noise voltage	$V_N$	$f = 10$ to $100kHz$	-	52	-	$\mu V$
Ripple rejection	RR	$V_{IN} = 11.5$ to $21.5V$ , $I_{OUT} = 300mA$ , $f = 120Hz$	56	80	-	dB
Dropout voltage <sup>(10)</sup>	$V_D$	$I_{OUT} = 350mA$	-	2.0	-	V
Short circuit current	$I_{SC}$	$V_{IN} = 14V$ , OUT short to GND	-	250	-	mA
Peak current	$I_{Peak}$	-	-	0.5	-	A

**CJ78M09** ( $V_{IN} = 16V$ ,  $I_{OUT} = 350mA$ ,  $C_{IN} = 0.33\mu F$ ,  $C_{OUT} = 0.1\mu F$ ,  $T_J = 25^\circ C$ , unless otherwise specified)

CHARACTERISTIC	SYMBOL	TEST CONDITIONS <sup>(7)</sup>	MIN.	TYP. <sup>(8)</sup>	MAX.	UNIT
Output voltage <sup>(9)</sup>	$V_{OUT}$	-	8.73	9.00	9.27	V
		$V_{IN} = 11.5$ to $24V$ , $I_{OUT} = 5$ to $350mA$	8.55	9.00	9.45	
Line regulation	LNR	$V_{IN} = 11.5$ to $26V$ , $I_{OUT} = 200mA$	-	6.0	100	mV
		$V_{IN} = 12$ to $26V$ , $I_{OUT} = 200mA$	-	2.0	50	
Load regulation	LDR	$I_{OUT} = 5$ to $500mA$	-	20	180	mV
		$I_{OUT} = 5$ to $200mA$	-	10	90	
Quiescent current	$I_Q$	-	-	4.6	6.0	mA
Quiescent current change	$\Delta I_Q$	$V_{IN} = 11.5$ to $26V$ , $I_{OUT} = 200mA$	-	-	0.8	mA
		$I_{OUT} = 5$ to $350mA$	-	-	0.5	
Output noise voltage	$V_N$	$f = 10$ to $100kHz$	-	60	-	$\mu V$
Ripple rejection	RR	$V_{IN} = 13$ to $23V$ , $I_{OUT} = 300mA$ , $f = 120Hz$	56	80	-	dB
Dropout voltage <sup>(10)</sup>	$V_D$	$I_{OUT} = 350mA$	-	2.0	-	V
Short circuit current	$I_{SC}$	$V_{IN} = 16V$ , OUT short to GND	-	250	-	mA
Peak current	$I_{Peak}$	-	-	0.5	-	A



## 7 Specifications

### 7.5 Electrical Characteristics (continued)

**CJ78M12 ( $V_{IN} = 19V$ ,  $I_{OUT} = 350mA$ ,  $C_{IN} = 0.33\mu F$ ,  $C_{OUT} = 0.1\mu F$ ,  $T_J = 25^\circ C$ , unless otherwise specified)**

CHARACTERISTIC	SYMBOL	TEST CONDITIONS <sup>(7)</sup>	MIN.	TYP. <sup>(8)</sup>	MAX.	UNIT
Output voltage <sup>(9)</sup>	$V_{OUT}$	-	11.64	12.00	12.36	V
		$V_{IN} = 14.5$ to $27V$ , $I_{OUT} = 5$ to $350mA$	11.40	12.00	12.60	
Line regulation	LNR	$V_{IN} = 14.5$ to $30V$ , $I_{OUT} = 200mA$	-	10	100	mV
		$V_{IN} = 16$ to $30V$ , $I_{OUT} = 200mA$	-	3.0	50	
Load regulation	LDR	$I_{OUT} = 5$ to $500mA$	-	25	240	mV
		$I_{OUT} = 5$ to $200mA$	-	10	120	
Quiescent current	$I_Q$	-	-	4.6	6.0	mA
Quiescent current change	$\Delta I_Q$	$V_{IN} = 14.5$ to $30V$ , $I_{OUT} = 200mA$	-	-	0.8	mA
		$I_{OUT} = 5$ to $350mA$	-	-	0.5	
Output noise voltage	$V_N$	$f = 10$ to $100kHz$	-	75	-	$\mu V$
Ripple rejection	RR	$V_{IN} = 15$ to $25V$ , $I_{OUT} = 300mA$ , $f = 120Hz$	55	80	-	dB
Dropout voltage <sup>(10)</sup>	$V_D$	$I_{OUT} = 350mA$	-	2.0	-	V
Short circuit current	$I_{SC}$	$V_{IN} = 19V$ , OUT short to GND	-	240	-	mA
Peak current	$I_{Peak}$	-	-	0.7	-	A

**Note:**

(8) Pulse test technology is used to make  $T_J$  as close to  $T_A$  as possible. Thermal effects must be considered separately.

(9) Typical numbers are at  $25^\circ C$  ( $T_J$ ) and represent the most likely norm.

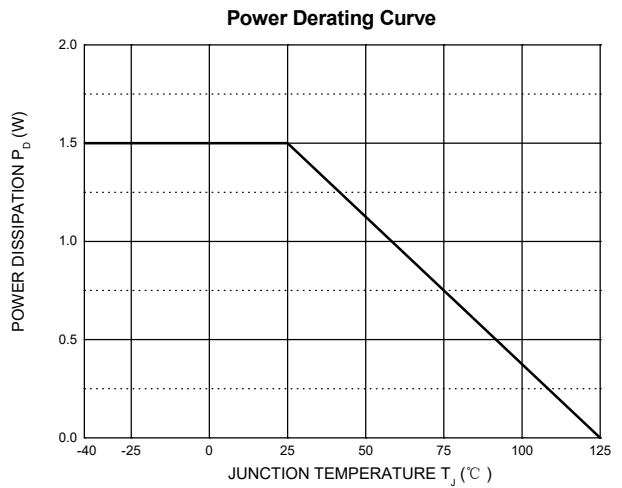
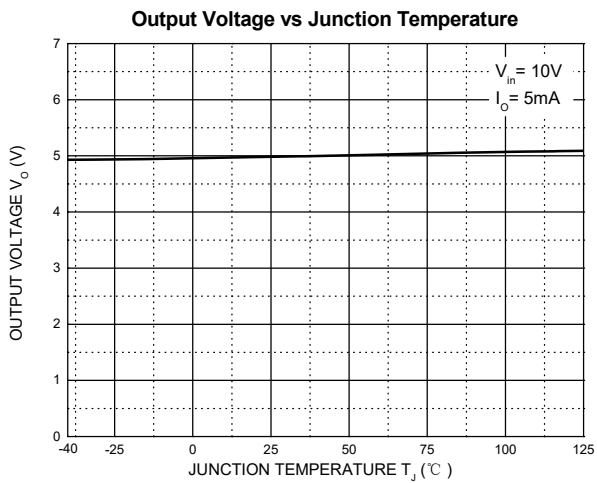
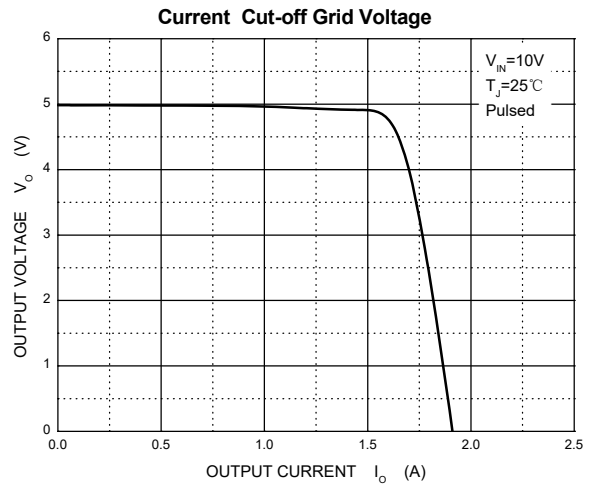
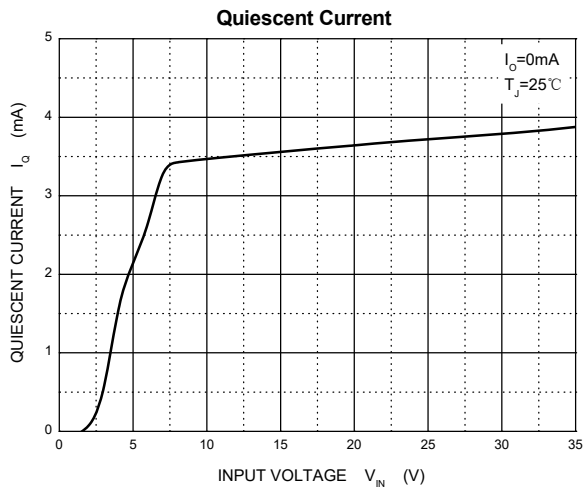
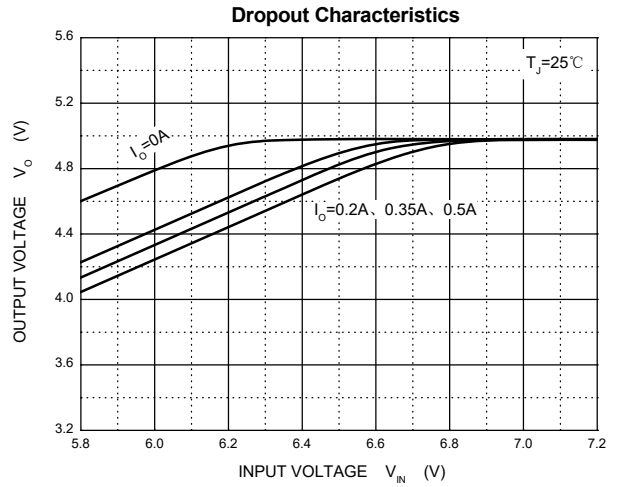
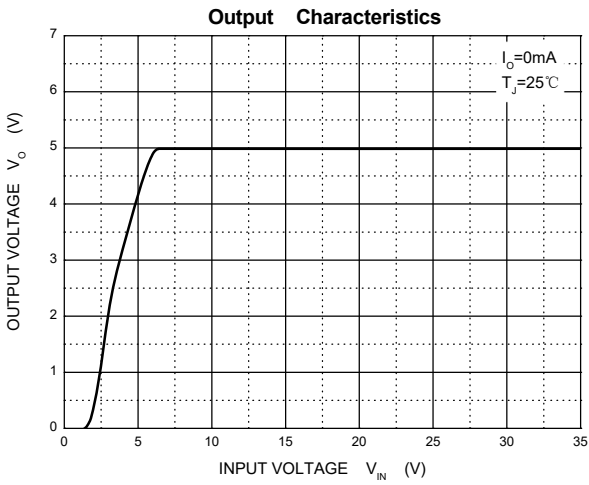
(10) This specification only applies to the DC power consumption allowed by the absolute maximum rating.

(11) The difference of output voltage and input voltage when input voltage is decreased gradually till output voltage equals to 95% of  $V_{OUT}$ .

## 7 Specifications

### 7.6 Typical Characteristics

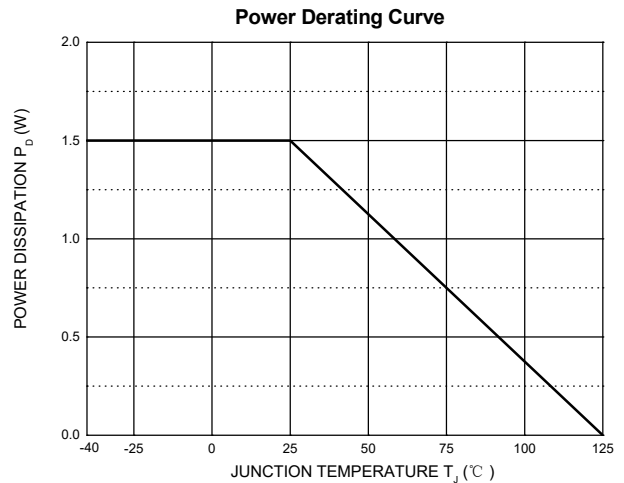
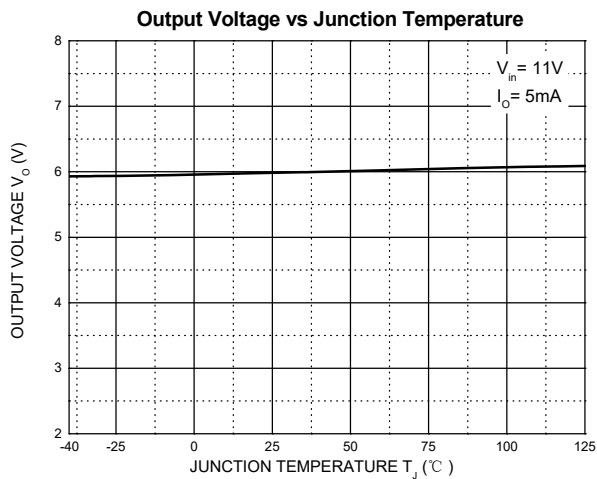
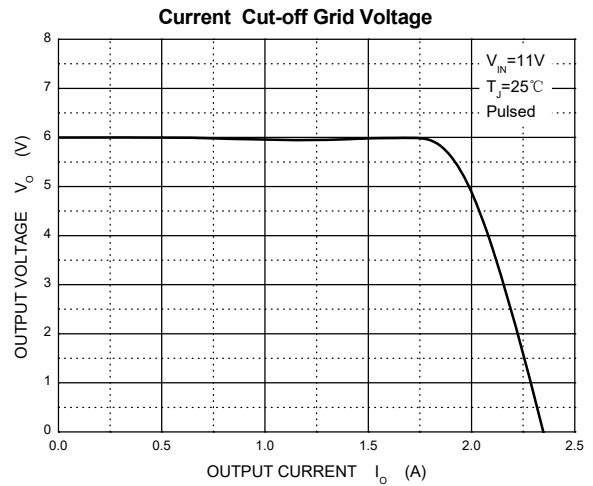
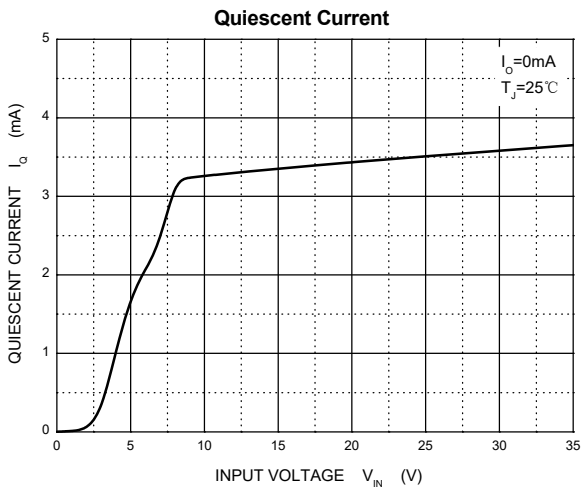
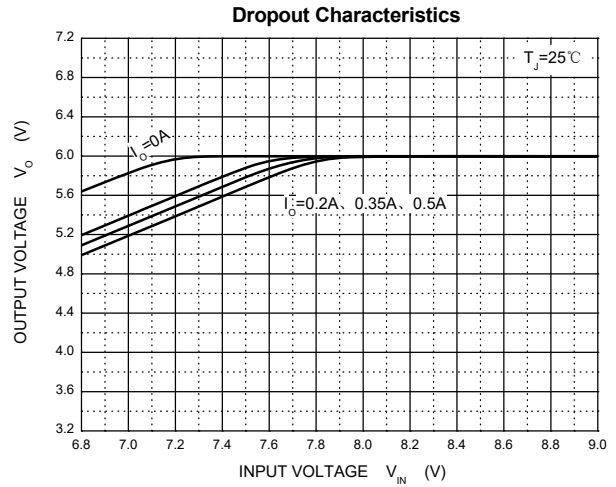
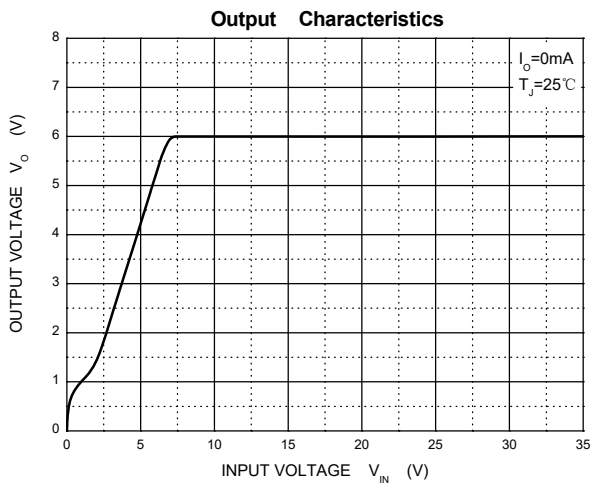
CJ78M05 ( $C_{IN} = 0.33\mu F$ ,  $C_{OUT} = 0.1\mu F$ ,  $T_J = 25^\circ C$ , unless otherwise specified)



## 7 Specifications

### 7.6 Typical Characteristics (continued)

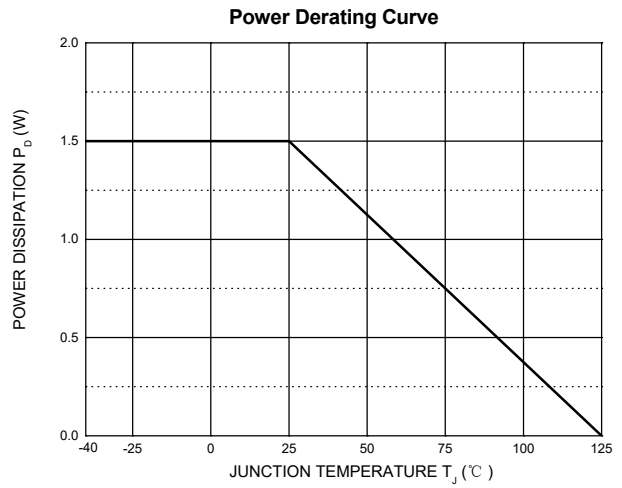
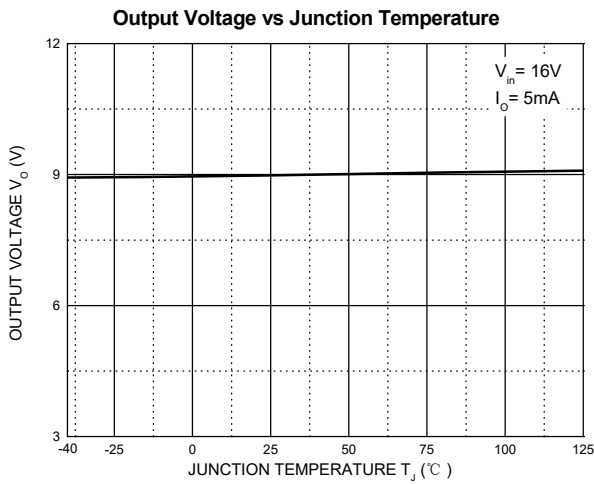
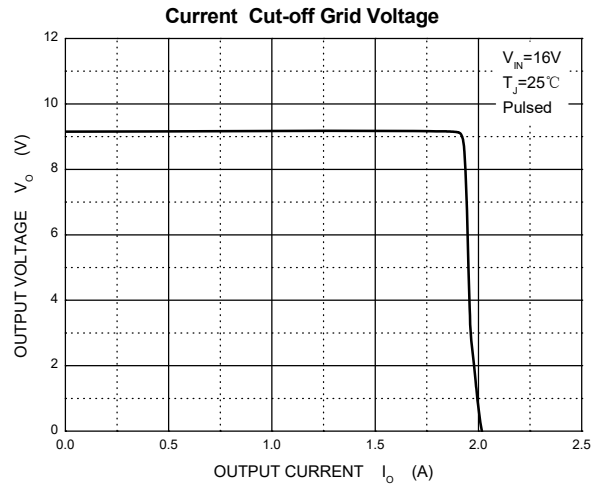
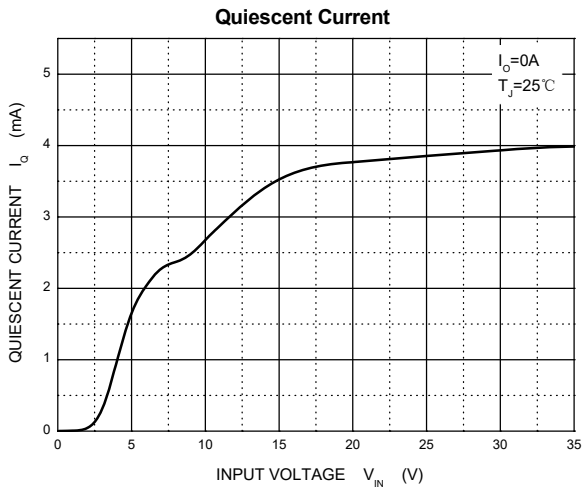
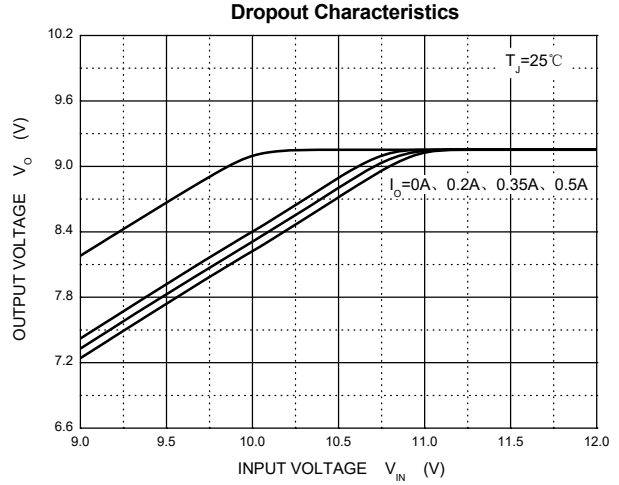
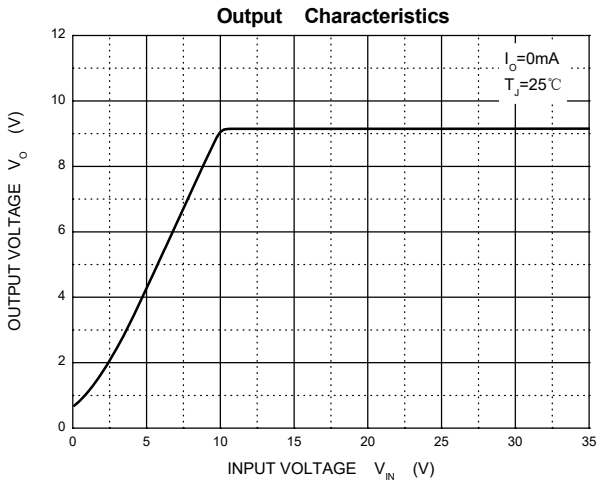
CJ78M06 ( $C_{IN} = 0.33\mu F$ ,  $C_{OUT} = 0.1\mu F$ ,  $T_J = 25^\circ C$ , unless otherwise specified)



7 Specifications

7.6 Typical Characteristics (continued)

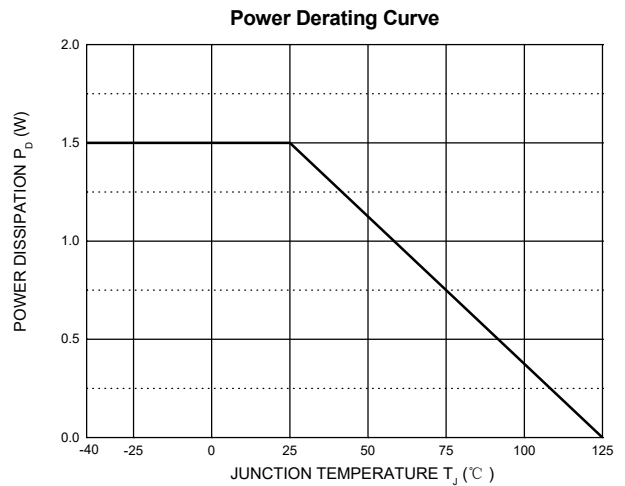
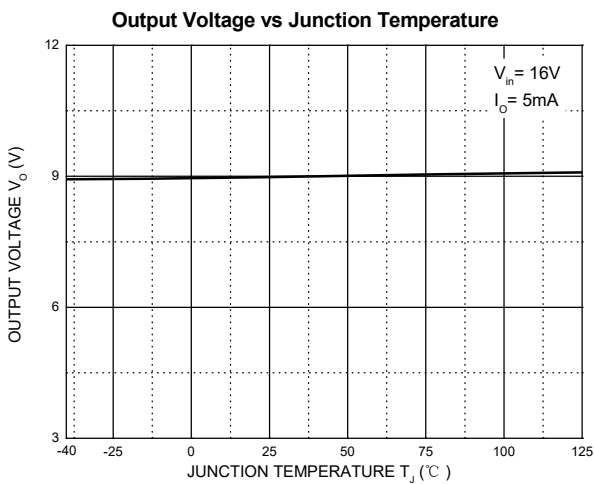
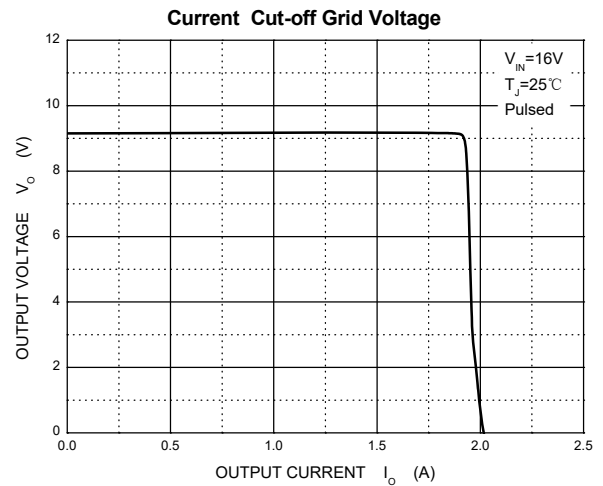
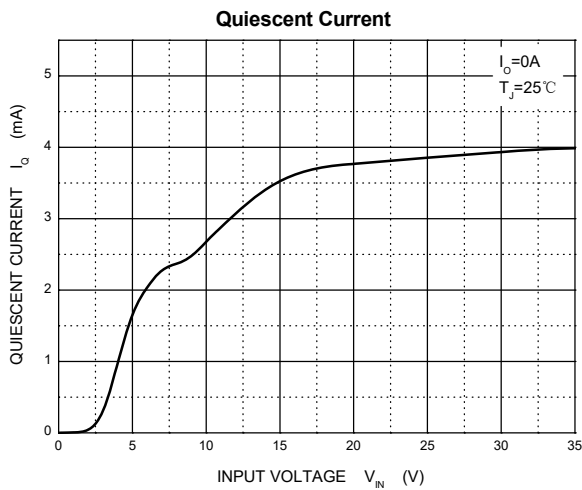
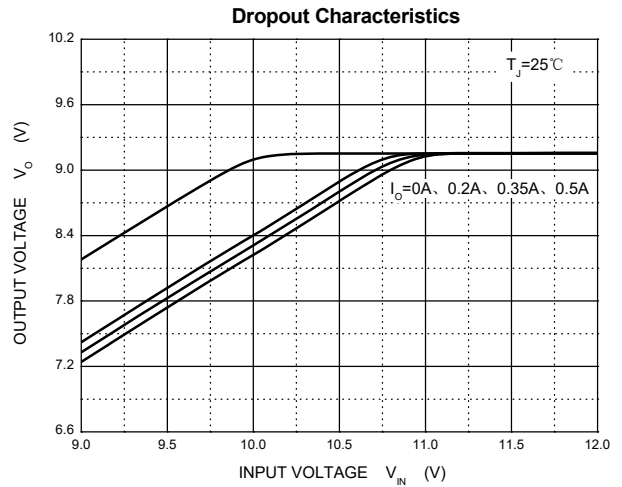
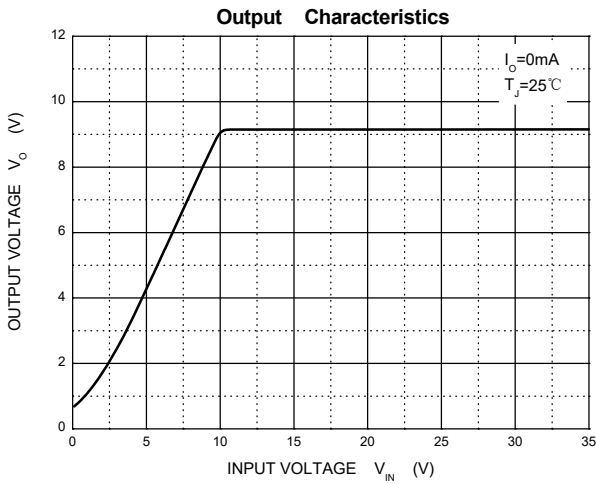
CJ78M08 ( $C_{IN} = 0.33\mu F$ ,  $C_{OUT} = 0.1\mu F$ ,  $T_J = 25^\circ C$ , unless otherwise specified)



7 Specifications

7.6 Typical Characteristics (continued)

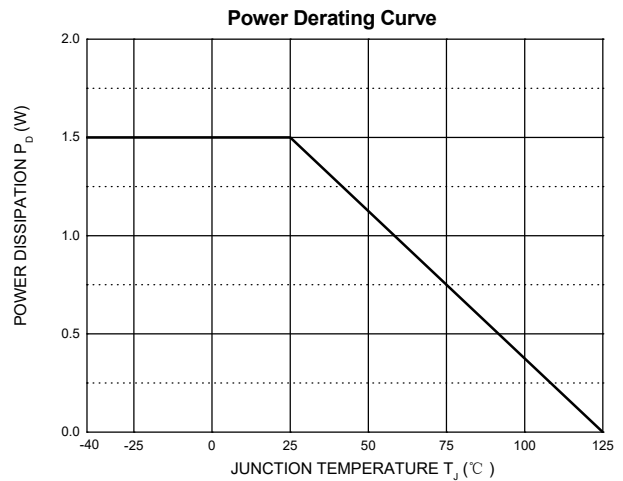
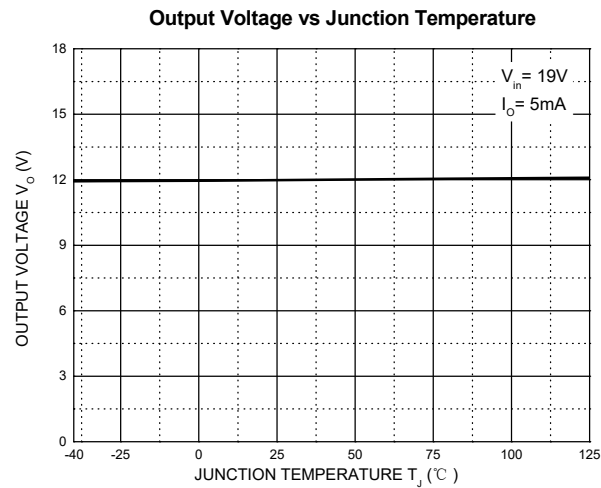
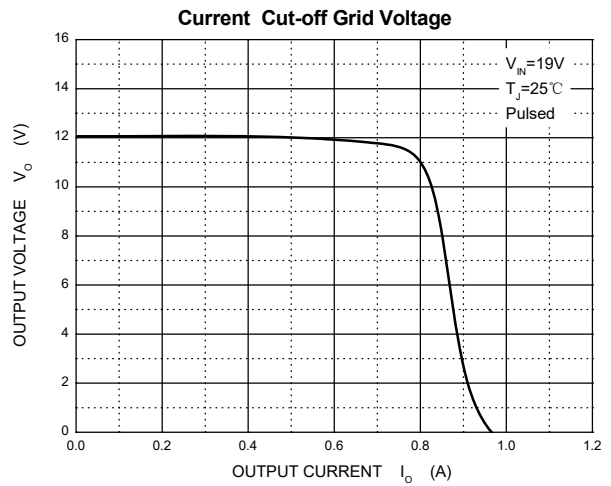
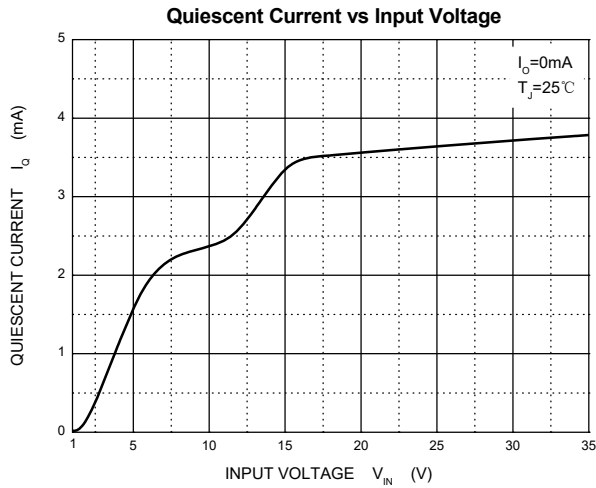
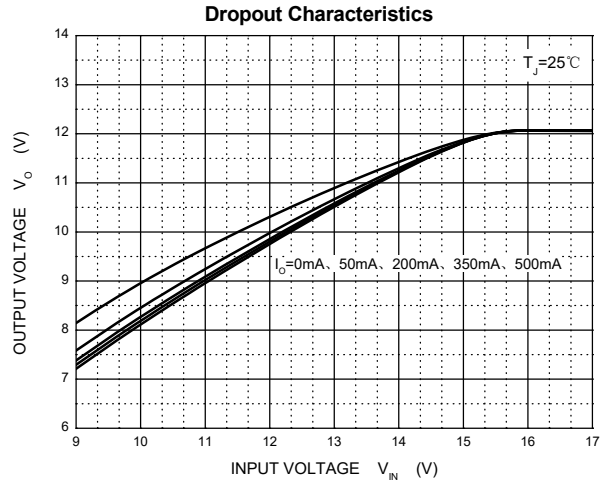
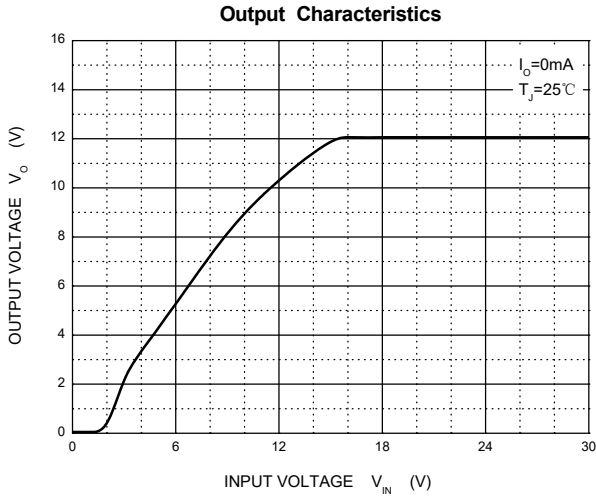
CJ78M09 ( $C_{IN} = 0.33\mu F$ ,  $C_{OUT} = 0.1\mu F$ ,  $T_J = 25^\circ C$ , unless otherwise specified)



7 Specifications

7.6 Typical Characteristics (continued)

CJ78M12 ( $C_{IN} = 0.33\mu F$ ,  $C_{OUT} = 0.1\mu F$ ,  $T_J = 25^\circ C$ , unless otherwise specified)

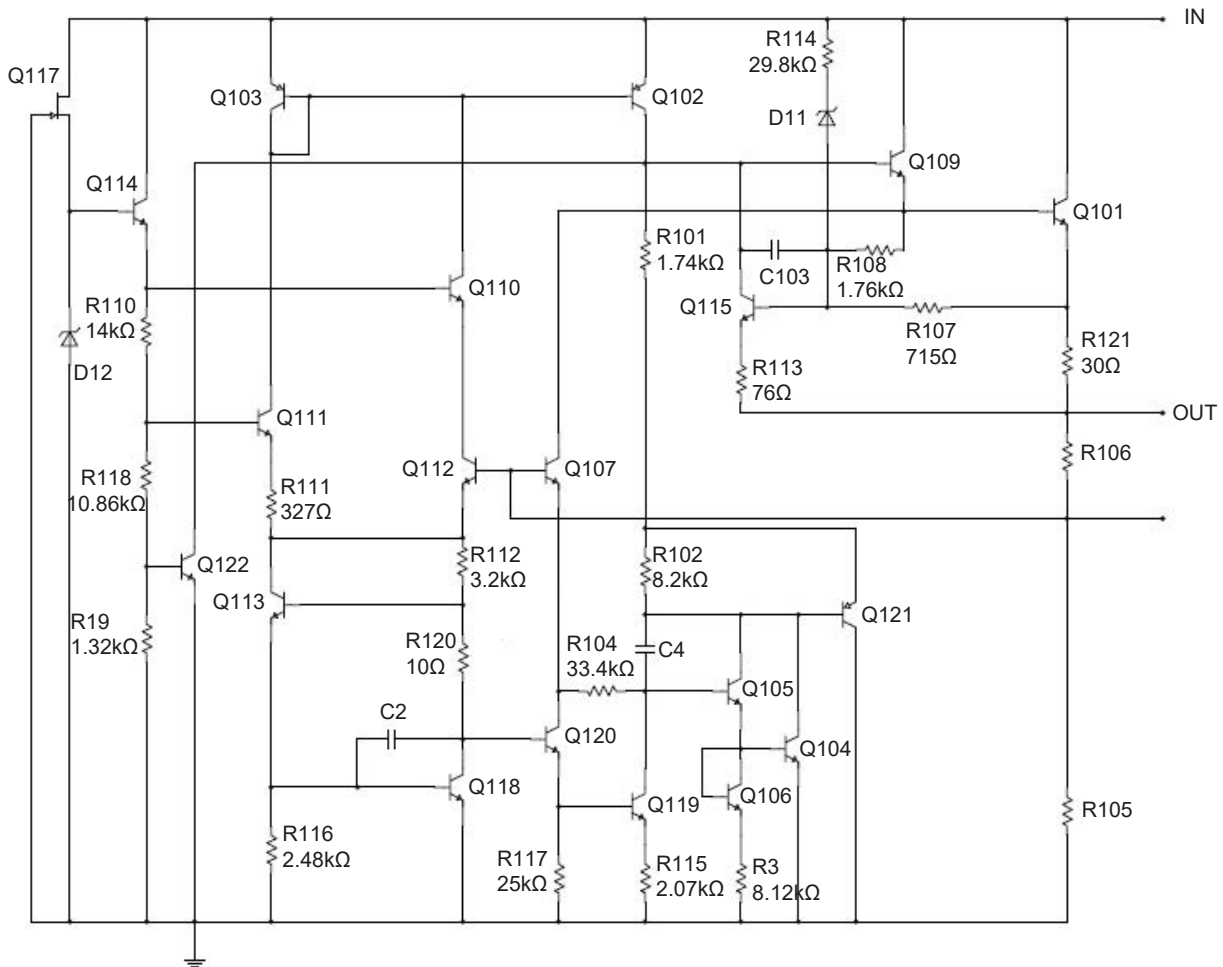


## 8 Detailed Description

### 8.1 Description

This series of fixed-voltage integrated-circuit voltage regulators is designed for a wide range of applications. The applications include on-card regulation for elimination of noise and distribution problems associated with single-point regulation. Each of these regulators can deliver up to 500mA of output current. The internal current-limiting and thermal-shutdown features of these regulators essentially make them immune to overload. In addition to use as fixed-voltage regulators, these devices can be used with external components to obtain adjustable output voltages and currents (not both) and also as the power-pass element in precision regulators.

### 8.2 Representative Schematic Diagram



## 8 Detailed Description

### 8.3 Feature Description

#### Input Voltage

When the input voltage is lower than the rated range of the data sheet, the device will lose the regulation function of stabilizing the output voltage, that is, it is unable to maintain the output voltage within the rated range. When the input voltage is higher than the rated range of the data sheet, the device may cause irreversible damage or failure due to exceeding the maximum rated range of electrical stress.

#### Built-in Current Limit & Short Circuit Protection

The CJ78M series has built-in current limit and short circuit protection mechanism. When the output current of the device is too high, the output of the device will be shut down. When the output of the device is short circuited to ground, the output of the device will also be shut down and the output current will be maintained within a certain range.

#### Thermal Shutdown Protection

The CJ78M series has thermal shutdown protection mechanism. When the junction temperature exceeds the rated temperature range for normal operation in the data sheet, the device will enter the thermal shutdown state. At this time, the output voltage of the device will be reduced to prevent catastrophic damage to the chip due to accidental heat. When the junction temperature decreases and no longer remains too high, the device will release the thermal shutdown and output normally. To ensure reliable operation, please limit the junction temperature to the specified range of *Recommended Operating Conditions* in the data sheet. Applications that exceed the recommended temperature range may cause the equipment to exceed its operating specifications.

Although the internal protection circuitry of the device is designed to protect against thermal overall conditions, this circuitry is not intended to replace proper heat sinking. Continuously running the device into thermal shutdown or above the maximum recommended junction temperature reduces long-term reliability.

#### Output Current

Due to the internal integration of thermal shutdown protection, in the case of large output current, the device may enter the thermal shutdown state because the junction temperature is higher than the rated value in the data sheet. Therefore, the appropriate package should be selected for circuit design according to the heat dissipation power consumption of the package and the effective connection thermal resistance with the environment, so as to make the device emit more heat energy, so as to ensure the maximum load current capacity of the device. If the circuit design is appropriate and the device has good heat dissipation conditions, the CJ78M series can output a current of up to 500mA.



## 9 Application and Implementation

### 9.1 Risk Alert and Precautions

The CJ78M series is designed for thermal shutdown protection, built-in current limit and output short circuit protection. However, like any IC regulator, precautions are necessary to reduce the possibility of accidental damage to the regulator. The following describes the possible causes of unit damage or failure:

#### Electrostatic Discharge (ESD)

Electrostatic discharge (ESD) is a common near-field hazard source. It comes from many sources, such as human body, mechanical equipment and electronic components themselves. ESD can cause phenomena such as high voltage and instantaneous high current in a very short time, resulting in damage or failure of the device due to electric shock.

#### Instantaneous Electrical Surge

In some applications, a short duration but high energy spike may occur in the circuit, including peak voltage and surge current. They may cause unstable operation of the regulator, accelerated aging and potential hazards, and even damage or malfunction of the regulator. These peaks are usually more likely to occur in hot-plug, switch inductance, heavy-load, and other types of circuits.

#### Precautions for ESD and Electrical Surge

In the practical application of the circuit, adopting the following suggestions can reduce the possibility of device failure due to the above reasons to a certain extent.

1. Place a TVS between the IN and GND of the voltage regulator to absorb the peak voltage that may be generated due to ESD or other reasons. As shown in Figure 9-1;
2. Place a resistor with appropriate resistance in series before the IN of the voltage regulator, which can help the voltage regulator share part of the energy in case of surge. The resistance value of the resistance should not be too large. The specific resistance value depends on the application of the circuit. Generally, the resistance value of this resistance does not exceed  $20\Omega$ . As shown in Figure 9-2.

For the CJ78M series, it is recommended that the input voltage should not exceed 17V and the peak voltage should not exceed 35V. **When the input voltage is greater than 17V, or the peak voltage that may be greater than 35V may appear in the practical circuit, it is recommended to adopt the circuit layout shown in Figure 9-2 in the circuit design.**

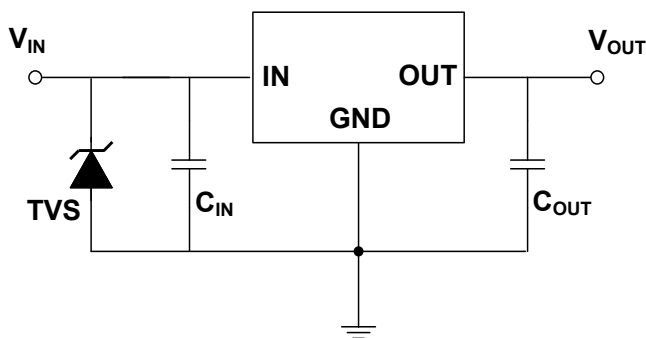


Figure 9-1. TVS is used at IN

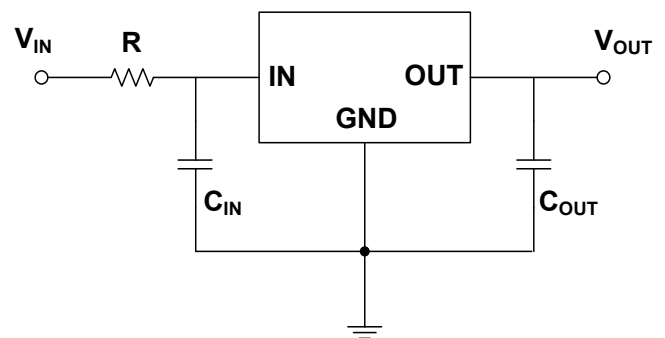


Figure 9-2. Resistance is used at IN

## 9 Application and Implementation

### 9.1 Risk Alert and Precautions (continued)

#### Large Output Capacitance

The CJ78M series can obtain better transient response with the help of output capacitance. However, if the output capacitor is relatively large, the surge current generated by the charging of the output capacitor will also be large at the moment of power on of the regulator, and the large surge current passing through the regulator may damage the internal circuit. When the output capacitance is large, adopting the circuit design shown in Figure 9-2 will reduce the possibility of damage to the device due to large surge current to a certain extent. It is recommended that the selection of output capacitor should not exceed 20 $\mu$ F. **If the selection of output capacitor exceeds 20 $\mu$ F, it is recommended to adopt the circuit design in Figure 9-2 to reduce the possibility of accidental failure of the device due to large surge current during power on.**

### 9.2 Bypass Capacitance Selection

A capacitance between IN and GND ( $C_{IN}$ ) is required if the regulator is located far from the power supply filter. It is recommended to use a 0.33 $\mu$ F capacitor for  $C_{IN}$ , and the capacitor ( $C_{IN}$ ) should be placed as close to the device IN pin and GND pin as possible.

It is recommended to use a 0.1 $\mu$ F capacitor between OUT and GND ( $C_{OUT}$ ), and the capacitor should be placed as close as possible between OUT and GND. The output capacitance can limit the high-frequency noise and help the device obtain the best stability and transient response.

The tolerance and temperature coefficient of the input and output capacitor ( $C_{IN}$  and  $C_{OUT}$ ) must be considered to ensure that the capacitor can work normally within the rated working ambient temperature and rated working conditions of the equipment.

It is recommended that the output capacitor ( $C_{OUT}$ ) should not exceed 20 $\mu$ F. When the output capacitor ( $C_{OUT}$ ) exceeds 20 $\mu$ F, it is recommended to use the circuit layout shown in Figure 9-2. See *Large Output Capacitance* for more details.

### 9.3 System Example

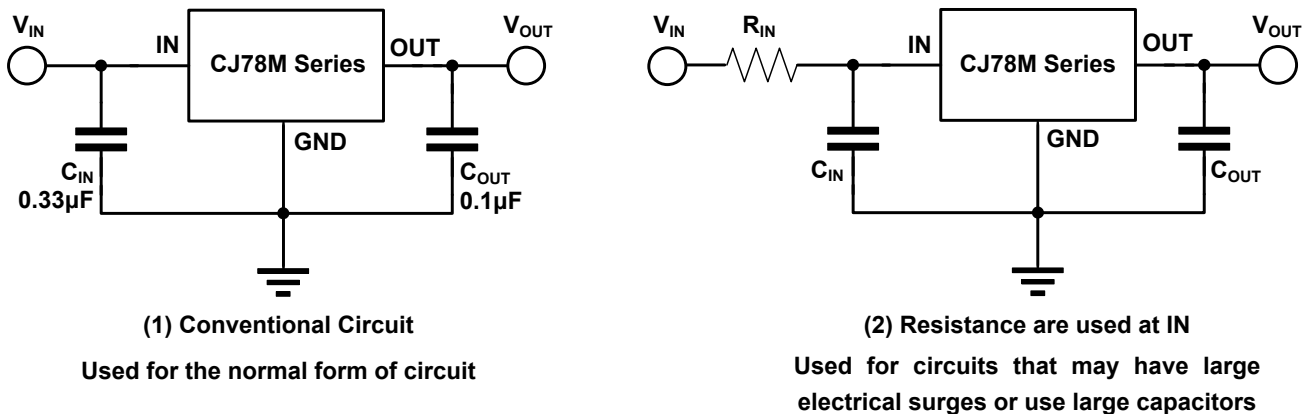


Figure 9-3. Fixed Output Regulator

## 9 Application and Implementation

### 9.4 Design Requirements and Procedure

The CJ78M series is mainly used to provide fixed output voltage regulation, the output voltage is selected based on the device variant, which is available in 5.0V, 6.0V, 8.0V, 9.0V and 12V regulator options, and it requires a very small number of equipment components. Some layout guidelines must be followed to ensure proper regulation of the output voltage with minimum noise:

- If the device is more than 4 inches from the power filter capacitor, it is recommended to use any type of input bypass capacitor 0.1 $\mu$ F or larger, and use the bypass capacitor to bypass the input terminal to ground. The optimum placement is closest to the input terminal of the device and the system GND;
- Take care to minimize the loop area formed by the bypass-capacitor connection, the input terminal, and the system GND;
- Traces carrying the load current must be wide to reduce the amount of parasitic trace inductance;
- In cases when  $V_{IN}$  shorts to ground, an external diode must be placed from OUT to IN to divert the surge current from the output capacitor and protect the IC. This diode must be placed close to the corresponding IC pins to increase their effectiveness.

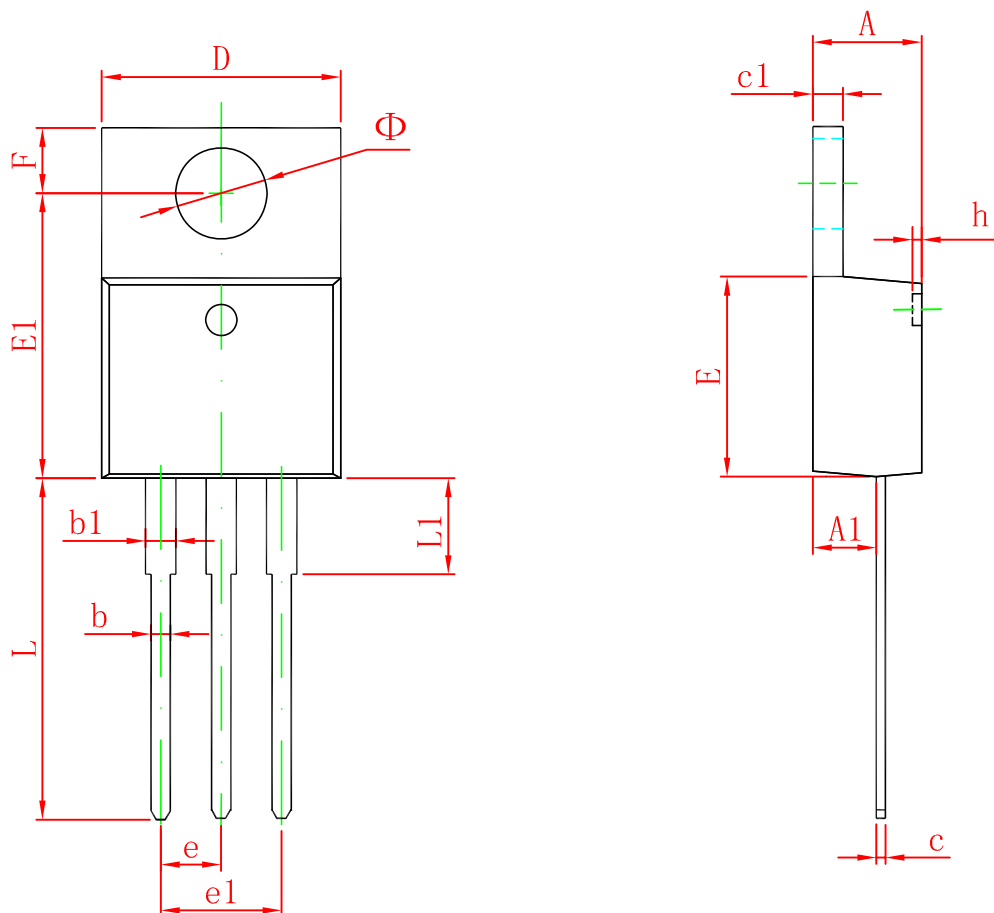
#### NOTE

The application information in this section is not part of the data sheet component specification, and JSCJ makes no commitment or statement to guarantee its accuracy or completeness. Customers are responsible for determining the rationality of corresponding components in their circuit design and making tests and verifications to ensure the normal realization of their circuit design.

10 Mechanical Information

10.1 TO-220-3L Mechanical Information

TO-220-3L Outline Dimensions

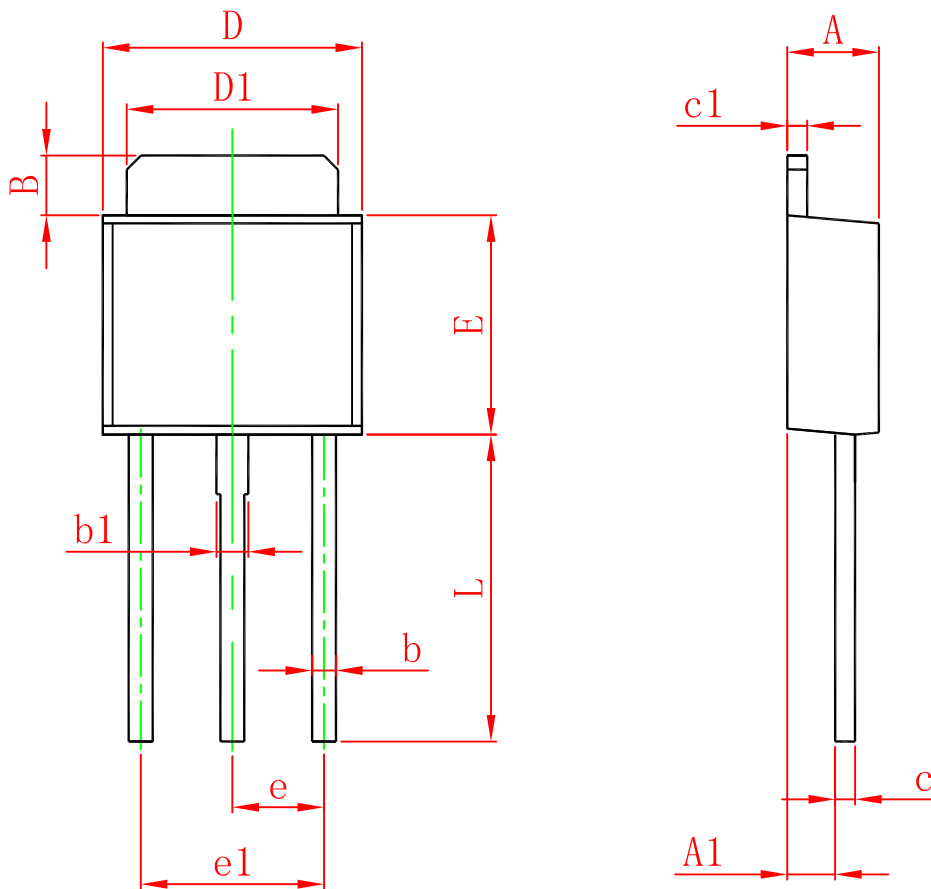


Symbol	Dimensions In Millimeters		Dimensions In Inches	
	Min	Max	Min	Max
A	4.470	4.670	0.176	0.184
A1	2.520	2.820	0.099	0.111
b	0.710	0.910	0.028	0.036
b1	1.170	1.370	0.046	0.054
c	0.310	0.530	0.012	0.021
c1	1.170	1.370	0.046	0.054
D	10.010	10.310	0.394	0.406
E	8.500	8.900	0.335	0.350
E1	12.060	12.460	0.475	0.491
e	2.540 TYP		0.100 TYP	
e1	4.980	5.180	0.196	0.204
F	2.590	2.890	0.102	0.114
h	0.000	0.300	0.000	0.012
L	13.400	13.800	0.528	0.543
L1	3.560	3.960	0.140	0.156
$\Phi$	3.735	3.935	0.147	0.155

10 Mechanical Information

10.2 TO-251-3L Mechanical Information

TO-251-3L Outline Dimensions

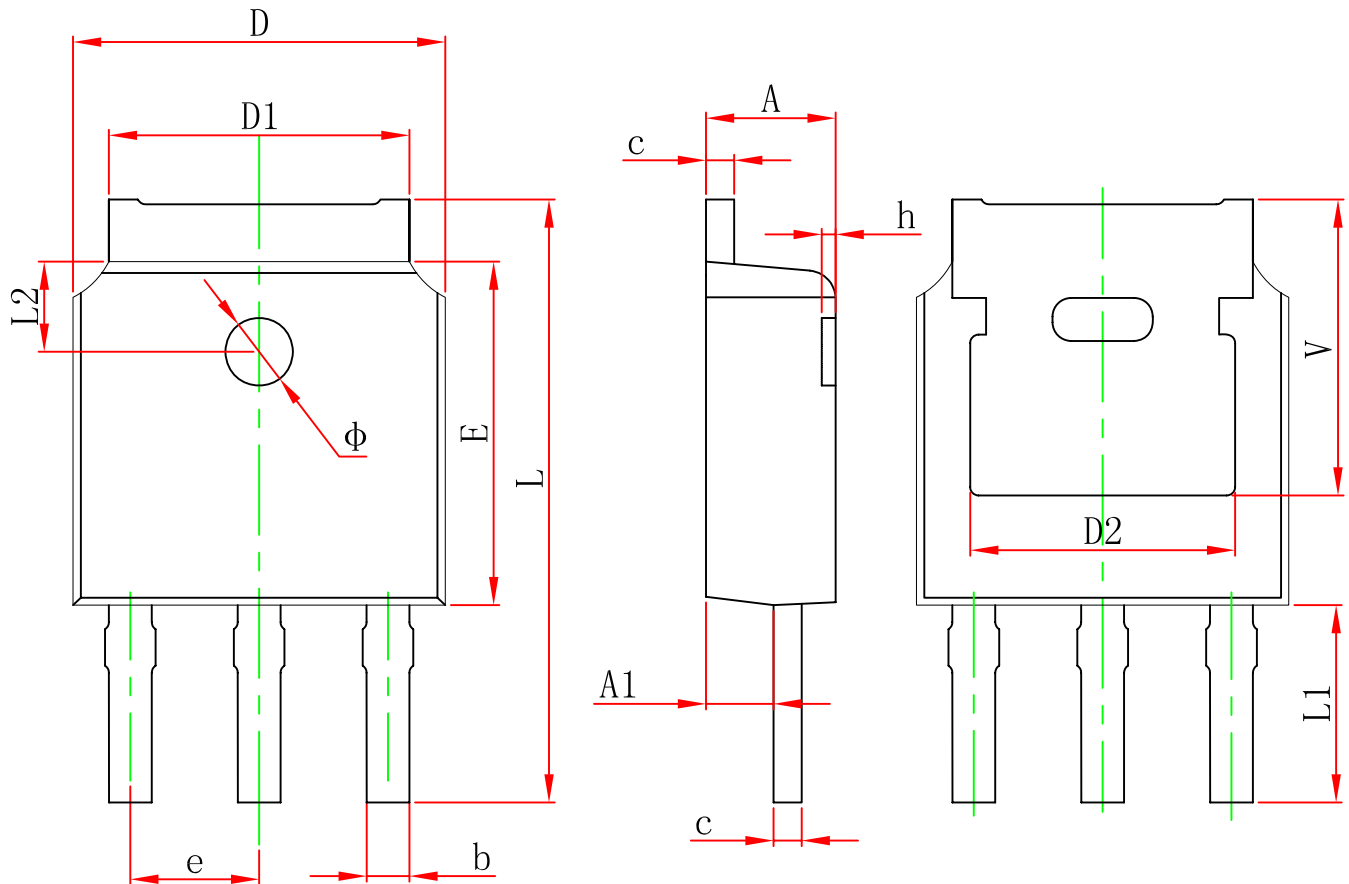


Symbol	Dimensions In Millimeters		Dimensions In Inches	
	Min.	Max.	Min.	Max.
A	2.200	2.400	0.087	0.094
A1	1.050	1.350	0.042	0.054
B	1.350	1.650	0.053	0.065
b	0.500	0.700	0.020	0.028
b1	0.700	0.900	0.028	0.035
c	0.430	0.580	0.017	0.023
c1	0.430	0.580	0.017	0.023
D	6.350	6.650	0.250	0.262
D1	5.200	5.400	0.205	0.213
E	5.400	5.700	0.213	0.224
e	2.300 TYP.		0.091 TYP.	
e1	4.500	4.700	0.177	0.185
L	7.500	7.900	0.295	0.311

10 Mechanical Information

10.3 TO-251S Mechanical Information

TO-251S Outline Dimensions

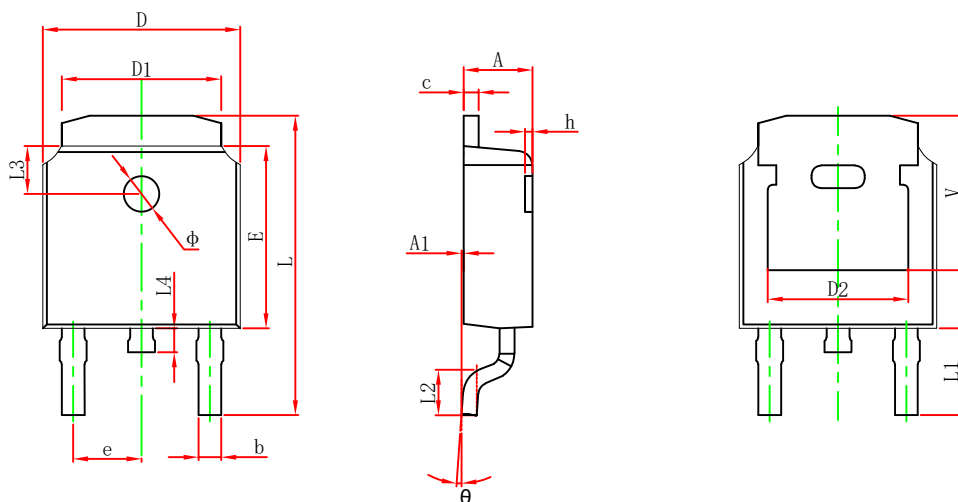


Symbol	Dimensions In Millimeters		Dimensions In Inches	
	Min.	Max.	Min.	Max.
A	2.200	2.400	0.087	0.094
A1	0.860	1.160	0.034	0.046
b	0.660	0.860	0.026	0.034
c	0.460	0.580	0.018	0.023
D	6.500	6.700	0.256	0.264
D1	5.100	5.460	0.201	0.215
D2	4.830 REF.		0.190 REF.	
E	6.000	6.200	0.236	0.244
e	2.186	2.386	0.086	0.094
L	10.400	11.000	0.409	0.433
L1	3.300	3.700	0.130	0.146
L2	1.600 REF.		0.063 REF.	
$\phi$	1.100	1.300	0.043	0.051
h	0.000	0.300	0.000	0.012
V	5.350 REF.		0.211 REF.	

## 10 Mechanical Information

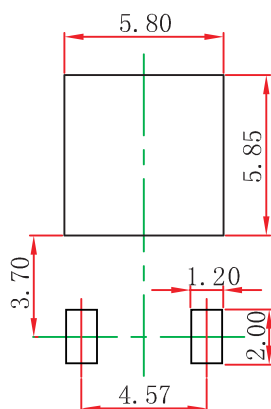
### 10.4 TO-252-2L Mechanical Information

#### TO-252-2L Outline Dimensions



Symbol	Dimensions In Millimeters		Dimensions In Inches	
	Min.	Max.	Min.	Max.
A	2.200	2.400	0.087	0.094
A1	0.000	0.127	0.000	0.005
b	0.635	0.770	0.025	0.030
c	0.460	0.580	0.018	0.023
D	6.500	6.700	0.256	0.264
D1	5.100	5.460	0.201	0.215
D2	4.830 REF.		0.190 REF.	
E	6.000	6.200	0.236	0.244
e	2.186	2.386	0.086	0.094
L	9.712	10.312	0.382	0.406
L1	2.900 REF.		0.114 REF.	
L2	1.400	1.700	0.055	0.067
L3	1.600 REF.		0.063 REF.	
L4	0.600	1.000	0.024	0.039
phi	1.100	1.300	0.043	0.051
theta	0°	8°	0°	8°
h	0.000	0.300	0.000	0.012
V	5.250 REF.		0.207 REF.	

#### TO-252-2L Suggest Pad Layout



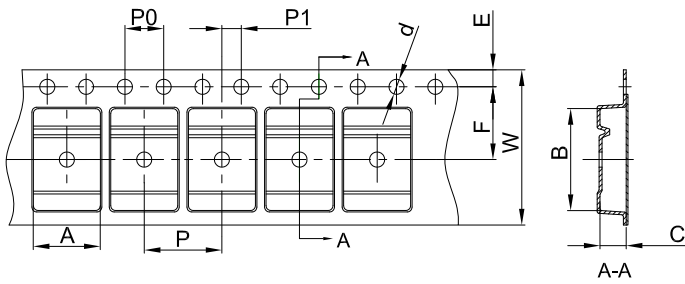
**NOTE:**

1. Controlling dimension: in millimeters.
2. General tolerance:  $\pm 0.05\text{mm}$ .
3. The pad layout is for reference purposes only.

# 11 Packaging Information

## TO-252-2L Tape and Reel Information

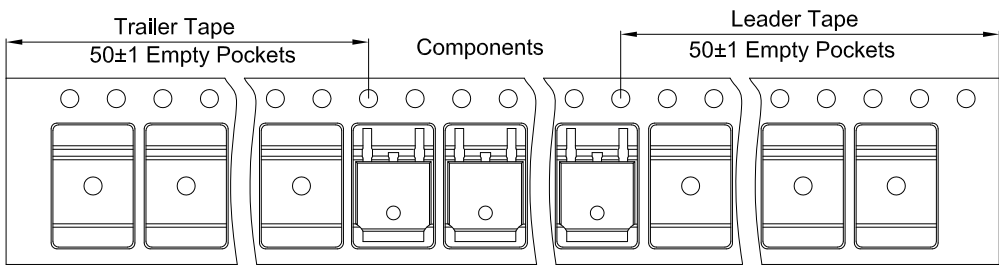
### TO-252-2L Embossed Carrier Tape



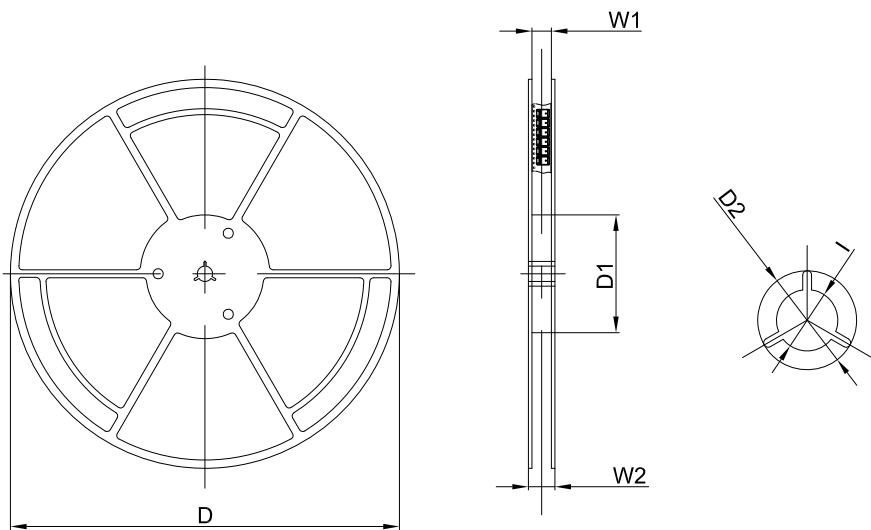
**Packaging Description:**  
 TO-252 parts are shipped in tape. The carrier tape is made from a dissipative (carbon filled) polycarbonate resin. The cover tape is a multilayer film (Heat Activated Adhesive in nature) primarily composed of polyester film, adhesive layer, sealant, and anti-static sprayed agent. These reeled parts in standard option are shipped with 25,00 units per 13" or 33.0 cm diameter reel. The reels are clear in color and is made of polystyrene plastic (anti-static coated).

Dimensions are in millimeter										
Pkg type	A	B	C	d	E	F	P0	P	P1	W
TO-252	6.90	10.50	2.70	Ø1.55	1.75	7.50	4.00	8.00	2.00	16.00

### TO-252-2L Tape Leader and Trailer



### TO-252-2L Reel



Dimensions are in millimeter						
Reel Option	D	D1	D2	W1	W2	I
13" Dia	330.00	100.00	Ø21.00	16.40	21.00	Ø13.00

REEL	Reel Size	Box	Box Size(mm)	Carton	Carton Size(mm)	G.W.(kg)
2,500 pcs	13inch	2,500 pcs	340×336×29	25,000 pcs	353×346×365	



## 12 Notes and Revision History

### 12.1 Associated Product Family and Others

To view other products of the same type or IC products of other types, please click the official website of JSCJ -- <https://www.jscj-elec.com> for more details.

### 12.2 Notes

#### Electrostatic Discharge Caution



This IC may be damaged by ESD. Relevant personnel shall comply with correct installation and use specifications to avoid ESD damage to the IC. If appropriate measures are not taken to prevent ESD damage, the hazards caused by ESD include but are not limited to degradation of integrated circuit performance or complete damage of integrated circuit. For some precision integrated circuits, a very small parameter change may cause the whole device to be inconsistent with its published specifications.

### 12.3 Revision History

#### October, 2023: changed from rev - 3.0 to rev - 3.1:

- Page 6, Thermal Information, added the  $R_{\theta JC}$ .

#### September, 2022: released CJ78M series rev - 3.0:

- Assembled CJ78M05, CJ78M06, CJ78M08, CJ78M09, CJ78M12 devices into the CJ78M series;
- Added Introduction, Available Package, Applications, Pin Configuration and Marking Information, Recommended Operating Conditions, ESD Ratings, Thermal Information, Detailed Description, Application and Implementation and Notes and Revision History section;
- Deleted obsolete CJ78M15 device from the data sheet.

# DISCLAIMER

## **IMPORTANT NOTICE, PLEASE READ CAREFULLY**

The information in this data sheet is intended to describe the operation and characteristics of our products. JSCJ has the right to make any modification, enhancement, improvement, correction or other changes to any content in this data sheet, including but not limited to specification parameters, circuit design and application information, without prior notice.

Any person who purchases or uses JSCJ products for design shall: 1. Select products suitable for circuit application and design; 2. Design, verify and test the rationality of circuit design; 3. Procedures to ensure that the design complies with relevant laws and regulations and the requirements of such laws and regulations. JSCJ makes no warranty or representation as to the accuracy or completeness of the information contained in this data sheet and assumes no responsibility for the application or use of any of the products described in this data sheet.

Without the written consent of JSCJ, this product shall not be used in occasions requiring high quality or high reliability, including but not limited to the following occasions: medical equipment, military facilities and aerospace. JSCJ shall not be responsible for casualties or property losses caused by abnormal use or application of this product.

Official Website: [www.jscj-elec.com](http://www.jscj-elec.com)

Copyright © JIANGSU CHANGJING ELECTRONICS TECHNOLOGY CO., LTD.