



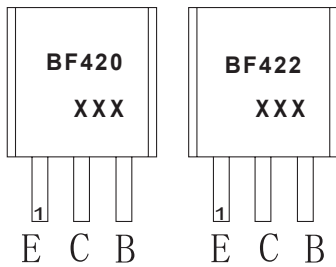
TO-92 Plastic-Encapsulate Transistors

BF420 TRANSISTOR (NPN) BF422

FEATURES

- Low feedback capacitance.
- NPN transistors in a TO-92 plastic package.
PNP complements: BF421 and BF423
- Class-B video output stages in colour television and professional monitor equipment.

MARKING

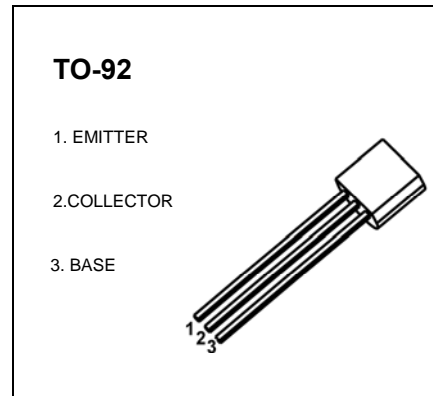


BF420,BF422=Device code

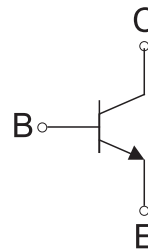
XXX=Code

GXX=Green molding compound device

CXX=Normal molding compound device



Equivalent Circuit



ORDERING INFORMATION

Part Number	Package	Packing Method	Pack Quantity
BF420	TO-92	Bulk	1000pcs/Bag
BF420-TA	TO-92	Tape	2000pcs/Box
BF422	TO-92	Bulk	1000pcs/Bag
BF422-TA	TO-92	Tape	2000pcs/Box

MAXIMUM RATINGS (T_a=25°C unless otherwise noted)

Symbol	Parameter	BF420	BF422	Unit
V _{CBO}	Collector-Base Voltage	300	250	V
V _{CEO}	Collector-Emitter Voltage	300	250	V
V _{EBO}	Emitter-Base Voltage	5		V
I _C	Collector Current -Continuous	100		mA
P _C	Collector Power Dissipation	0.830		W
R _{thja}	Thermal resistance from junction to ambient	151		°C /W
T _J ,T _{stg}	Operation Junction and Storage Temperature Range	-55~150		°C

ELECTRICAL CHARACTERISTICS

$T_a=25^\circ\text{C}$ unless otherwise specified

Parameter	Symbol	Test conditions	MIN	MAX	UNIT
Collector-base breakdown voltage BF420 BF422	$V_{(BR)CBO}$	$I_C=100\mu\text{A}, I_E=0$	300 250		V
Collector-emitter breakdown voltage BF420 BF422	$V_{(BR)CEO}$	$I_C=1\text{mA}, I_B=0$	300 250		V
Emitter-base breakdown voltage	$V_{(BR)EBO}$	$I_E=100\mu\text{A}, I_C=0$	5		V
Collector cut-off current	I_{CBO}	$V_{CB}=200\text{V}, I_E=0$		0.01	μA
Emitter cut-off current	I_{EBO}	$V_{EB}=5\text{V}, I_C=0$		0.05	μA
DC current gain	h_{FE}	$V_{CE}=20\text{V}, I_C=25\text{mA}$	50		
Collector-emitter saturation voltage	$V_{CE(sat)}$	$I_C=30\text{mA}, I_B=5\text{mA}$		0.6	V
Transition frequency	f_T	$V_{CE}=10\text{V}, I_C=10\text{mA}$ $f=100\text{MHz}$	60		MHz
Feedback capacitance	C_{re}	$V_{CE}=30\text{V}, I_C=0, f=1\text{MHz}$		1.6	pF

TO-92 Package Outline Dimensions



Symbol	Dimensions In Millimeters		Dimensions In Inches	
	Min	Max	Min	Max
A	3.300	3.700	0.130	0.146
A1	1.100	1.400	0.043	0.055
b	0.380	0.550	0.015	0.022
c	0.360	0.510	0.014	0.020
D	4.300	4.700	0.169	0.185
D1	3.430		0.135	
E	4.300	4.700	0.169	0.185
e	1.270 TYP		0.050 TYP	
e1	2.440	2.640	0.096	0.104
L	14.100	14.500	0.555	0.571
Φ		1.600		0.063
h	0.000	0.380	0.000	0.015

TO-92 Suggested Pad Layout



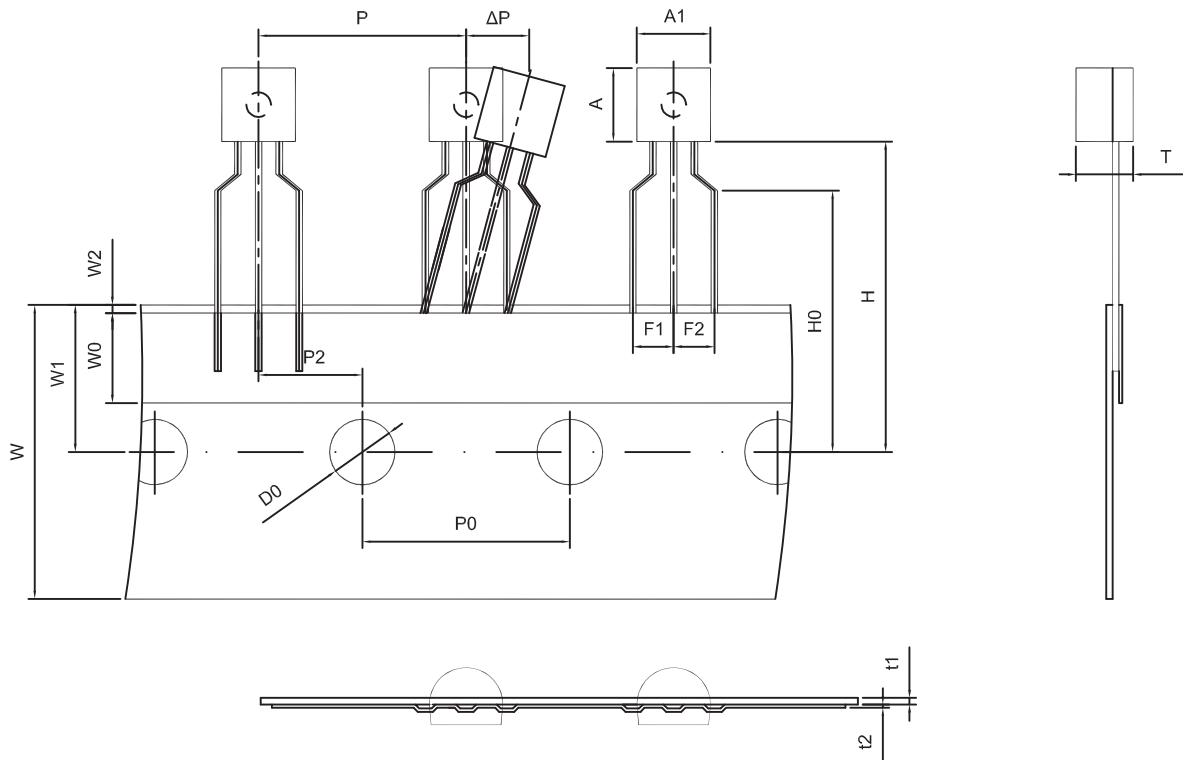
Note:

1. Controlling dimension: in millimeters.
2. General tolerance: $\pm 0.05\text{mm}$.
3. The pad layout is for reference purposes only.

NOTICE

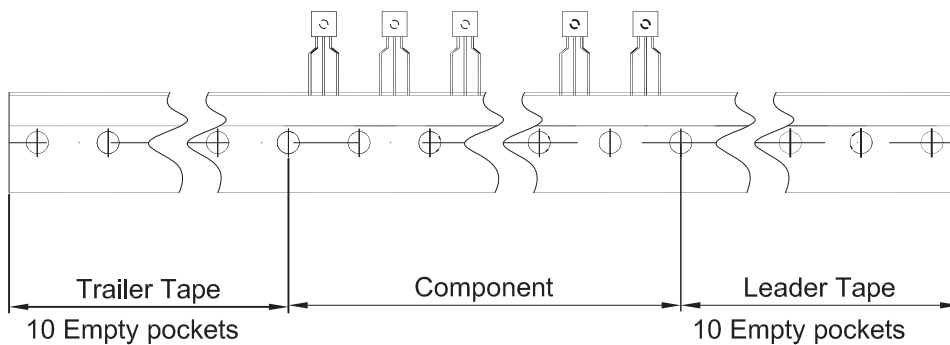
JSCJ reserves the right to make modifications, enhancements, improvements, corrections or other changes without further notice to any product herein. JSCJ does not assume any liability arising out of the application or use of any product described herein.

TO-92 PACKAGE TAPING DIMENSION



Dimensions are in millimeter

A1	A	T	P	P0	P2	F1	F2	W
4.5	4.5	3.5	12.7	12.7	6.35	2.5	2.5	18.0
W0	W1	W2	H	H0	D0	t1	t2	ΔP
6.0	9.0	1.0 MAX.	19.0	16.0	4.0	0.4	0.2	0



Package	Box	Box Size(mm)	Carton	Carton Size(mm)
TO-92	2000 pcs	333×162×43	20,000 pcs	350×340×250