

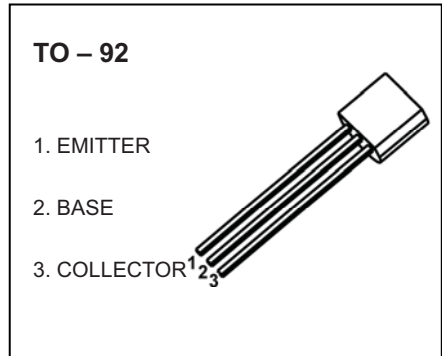


## TO-92 Plastic-Encapsulate Transistors

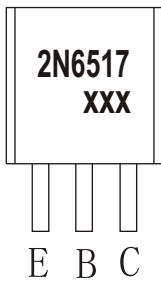
**2N6517** TRANSISTOR (NPN)

### FEATURES

- Complement to 2N6520

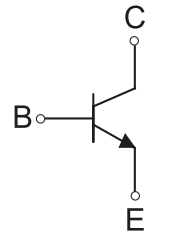


### MARKING



2N6517=Device code  
XXX=Code  
GXX=Green molding compound device  
CXX=Normal molding compound device

### Equivalent Circuit



### ORDERING INFORMATION

Part Number	Package	Packing Method	Pack Quantity
2N6517	TO-92	Bulk	1000pcs/Bag
2N6517-TA	TO-92	Tape	2000pcs/Box

### MAXIMUM RATINGS (T<sub>a</sub>=25°C unless otherwise noted)

Symbol	Parameter	Value	Unit
V <sub>CB0</sub>	Collector-Base Voltage	350	V
V <sub>CE0</sub>	Collector-Emitter Voltage	350	V
V <sub>EB0</sub>	Emitter-Base Voltage	6	V
I <sub>c</sub>	Collector Current -Continuous	0.5	A
P <sub>D</sub>	Collector Power Dissipation	625	mW
R <sub>θJA</sub>	Thermal Resistance from Junction to Ambient	200	°C /W
T <sub>J</sub> , T <sub>stg</sub>	Operation Junction and Storage Temperature Range	-55~+150	°C

## ELECTRICAL CHARACTERISTICS

$T_a=25^\circ\text{C}$  unless otherwise specified

Parameter	Symbol	Test conditions	Min	Typ	Max	Unit
Collector-base breakdown voltage	$V_{(BR)CBO}$	$I_C=0.1\text{mA}, I_E=0$	350			V
Collector-emitter breakdown voltage	$V_{(BR)CEO}$	$I_C=1\text{mA}, I_B=0$	350			V
Emitter-base breakdown voltage	$V_{(BR)EBO}$	$I_E=0.01\text{mA}, I_C=0$	6			V
Collector cut-off current	$I_{CBO}$	$V_{CB}=250\text{V}, I_E=0$			0.05	$\mu\text{A}$
Emitter cut-off current	$I_{EBO}$	$V_{EB}=5\text{V}, I_C=0$			0.05	$\mu\text{A}$
DC current gain	$h_{FE}^*$	$V_{CE}=10\text{V}, I_C=1\text{mA}$	20			
		$V_{CE}=10\text{V}, I_C=10\text{mA}$	30			
		$V_{CE}=10\text{V}, I_C=30\text{mA}$	30		200	
		$V_{CE}=10\text{V}, I_C=50\text{mA}$	20		200	
		$V_{CE}=10\text{V}, I_C=100\text{mA}$	15			
Collector-emitter saturation voltage	$V_{CE(sat)}^*$	$I_C=10\text{mA}, I_B=1\text{mA}$			0.3	V
		$I_C=50\text{mA}, I_B=5\text{mA}$			1	V
Base-emitter saturation voltage	$V_{BE(sat)}^*$	$I_C=10\text{mA}, I_B=1\text{mA}$			0.75	V
		$I_C=20\text{mA}, I_B=2\text{mA}$			0.85	V
		$I_C=30\text{mA}, I_B=3\text{mA}$			0.9	V
Base-emitter voltage	$V_{BE}^*$	$V_{CE}=10\text{V}, I_C=100\text{mA}$			2	V
Transition frequency	$f_T^*$	$V_{CE}=20\text{V}, I_C=10\text{mA}, f=20\text{MHz}$	40		200	MHz
Collector output capacitance	$C_{ob}$	$V_{CB}=20\text{V}, I_E=0, f=1\text{MHz}$			6	pF

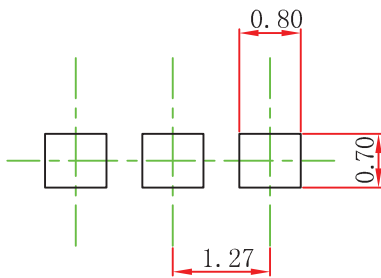
\*Pulse test: pulse width  $\leq 300\mu\text{s}$ , duty cycle  $\leq 2.0\%$ .

## TO-92 Package Outline Dimensions



Symbol	Dimensions In Millimeters		Dimensions In Inches	
	Min	Max	Min	Max
A	3.300	3.700	0.130	0.146
A1	1.100	1.400	0.043	0.055
b	0.380	0.550	0.015	0.022
c	0.360	0.510	0.014	0.020
D	4.300	4.700	0.169	0.185
D1	3.430		0.135	
E	4.300	4.700	0.169	0.185
e	1.270 TYP		0.050 TYP	
e1	2.440	2.640	0.096	0.104
L	14.100	14.500	0.555	0.571
Φ		1.600		0.063
h	0.000	0.380	0.000	0.015

## TO-92 Suggested Pad Layout



### Note:

1. Controlling dimension: in millimeters.
2. General tolerance:  $\pm 0.05\text{mm}$ .
3. The pad layout is for reference purposes only.

### NOTICE

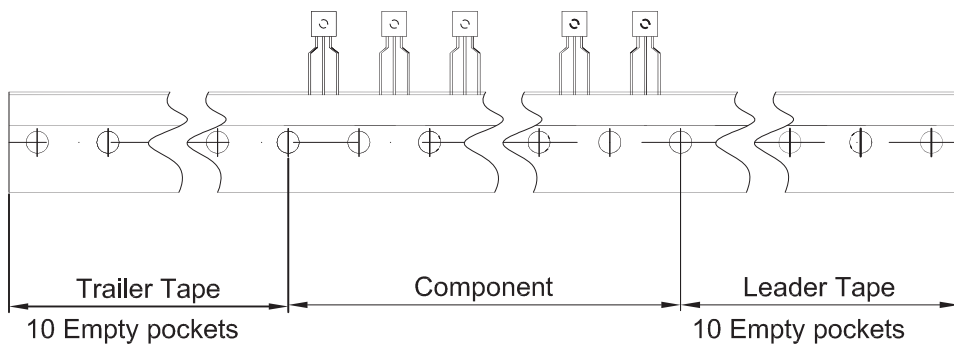
JSCJ reserves the right to make modifications, enhancements, improvements, corrections or other changes without further notice to any product herein. JSCJ does not assume any liability arising out of the application or use of any product described herein.

# TO-92 Tape and Reel



Dimiensions are in millimeter

A1	A	T	P	P0	P2	F1	F2	W
4.5	4.5	3.5	12.7	12.7	6.35	2.5	2.5	18.0
W0	W1	W2	H	H0	D0	t1	t2	$\Delta P$
6.0	9.0	1.0 MAX.	19.0	16.0	4.0	0.4	0.2	0



Package	Box	Box Size(mm)	Carton	Carton Size(mm)
TO-92	2000 pcs	333×162×43	20,000 pcs	350×340×250