

1/16W, 0402, High Precision Thick Film Chip Resistor

(Lead / Halogen Free)

1. Scope

This specification applies to 1.0mm x 0.5mm (0402) size, fixed metal chip resistors rectangular type for use in electronic equipment.

2. Type Designation

PFR05 X — XXXX — X NH
(1) (2) (3) (4) (5)

Where

- (1) Series No.
- (2) Tolerance of TCR :
X = Jumper
Resistor refer to paragraph 3
- (3) Nominal resistance value :
For example —
Three digits of number (E-24 Series)
000 = Jumper (0Ω)
100 = 10Ω
102 = 1kΩ
Four digits of number (E-96 Series)
11R3 = 11.3Ω
1131 = 1.13kΩ
- (4) Resistance tolerance :
B = ± 0.1%
D = ± 0.5%
F = ± 1.0%
J = ± 5.0%
- (5) NH = Sn plating (Lead free / Halogen free)

3. Electrical Specifications

Table 1. :

Power Rating**	Resistance Values	Resistance Tolerance	Resistance Range (Ω)	Temperature Coefficient of Resistance ppm/°C (code) *	Operating Temperature Range	Max. Operating Voltage***
1/16 W	E-24 series E-96 series	±0.1%(B) ±0.5%(D)	10 ~ 97.6	± 100 (R)	-55°C to +125°C	50V
			100 ~ 1M	± 50 (Q)		
		± 1.0%(F)	1.0 ~ 9.76	0 ~ 500 (S)		
			10 ~ 97.6	± 100 (R)		
			1.02M ~ 10M			
			100 ~ 1M	± 50 (Q)		
	E-24 series	± 5.0%(J)	10 ~ 10M	± 200 (S)		
			1.0 ~ 9.1	0 ~ 500 (S)		
			10 ~ 10M	± 200 (S)		

Note: *TCR "S" is standard parts, the other part can be make at request.

Note: **Package Power Temperature Derating Curve

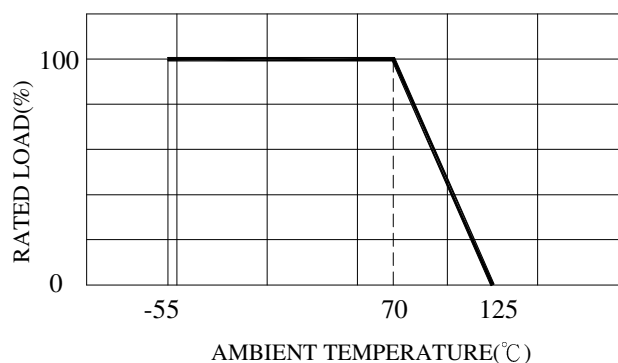


Figure 1. : Power Temperature Derating Curve

Note: ***Resistors shall have a rated DC or AC(rms.) continuous operating voltage corresponding to the power rating, as calculated from the following formula

$$V = \sqrt{P \times R}$$

Where V : Rated voltage (V)

P : Rated power (W)

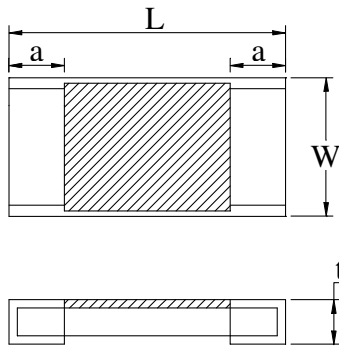
R : Nominal resistance (Ω)

If the voltage so obtained exceeds the maximum operating voltage, this maximum voltage shall be the rated voltage.

Table 2. : Jumper:

Resistance Tolerance	Below 50 mΩ
Rated current	1A
Operating Temperature Range	-55°C to 125°C

4. Outline dimensions



Code Letter	Dimension
L	1.0 ± 0.05
W	0.50 ± 0.05
t	0.35 ± 0.05
a	0.2 ± 0.10

Unit : mm

5. Life Tests

5-1 Electrical

Item	Specification and Requirement		Test Method (Refer to JIS C 5201)
	Resistor	Jumper	
Short Time Overload	<ul style="list-style-type: none"> • TCR ≤ 100ppm ΔR: ± (1%+ 0.05Ω) • TCR > 100ppm ΔR: ± (2%+ 0.1Ω) Without damage by flashover, spark, arcing, burning or breakdown	Max. 50mΩ	(1) Applied voltage : 2.5 x rated voltage or 2 x maximum operating voltage which ever is less (2) Test time : 5 seconds
Insulation Resistance	Over 100 MΩ on Overcoat layer face up Over 1,000 MΩ on Substrate side face up		(1) Setup as figure 2 (2) Test voltage : 50V _{DC} (3) Test time : 60 + 10 / -0 seconds
Voltage Proof	ΔR: ± (2%+ 0.1Ω) Without damage by flashover, spark, arcing, burning or breakdown	Max. 50mΩ	(1) Setup as figure 2 (2) Test voltage : 100V _{AC} (rms.) (3) Test time : 60 +10 / -0 seconds

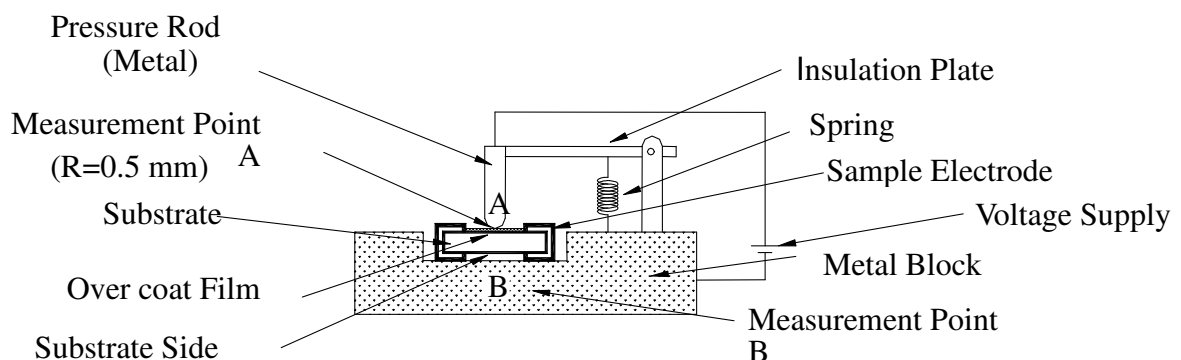


Figure 2 :
Measurement Setup

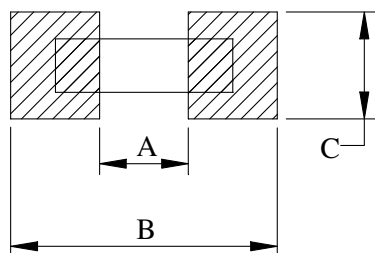
5-2 Mechanical

Item	Specification and Requirement		Test Method (Refer to JIS C 5201)
	Resistor	Jumper	
Solderability	The surface of terminal immersed shall be minimum of 95% covered with a new coating of solder		Solder bath : After immersing in flux, dip in $245 \pm 5^{\circ}\text{C}$ molten solder bath for 2 ± 0.5 seconds
Resistance to Solder Heat	$\Delta R: \pm (1.0\% + 0.05\Omega)$ Without distinct deformation in appearance	Max. $50\text{m}\Omega$	(1) Pre-heat: $100\sim 110^{\circ}\text{C}$ for 30 seconds (2) Immersed at solder bath of $270 \pm 5^{\circ}\text{C}$ for 10 ± 1 seconds (3) Measuring resistance 1 hour after test
Vibration	$\Delta R: \pm (0.5\% + 0.05\Omega)$ Without mechanical damage such as break		(1) Vibration frequency : 10Hz to 55Hz to 10Hz in 60 seconds as a period (2) Vibration time : period cycled for 2 hours in each of 3 mutual perpendicular directions (3) Amplitude : 1.5mm
Shock	$\Delta R: \pm (0.25\% + 0.05\Omega)$ Without mechanical damage such as break		(1) Peak value : 490N (2) Duration of pulse : 11ms (3) 3 times in each positive and negative direction of 3 mutual perpendicular directions
Bending Test	$\Delta R: \pm (1.0\% + 0.05\Omega)$ Without mechanical damage such as break	Max. $50\text{m}\Omega$	Bending value : 3 mm for 30 ± 1 seconds

5-3 Endurance

Item	Specification and Requirement		Test Method (Refer to JIS C 5201)
	Resistor	Jumper	
Thermal Shock	$\Delta R: \pm (1.0\% + 0.05\Omega)$ Without distinct damage in appearance	Max. 50m Ω	(1) Repeat 5 cycle as follows : (-55 \pm 3 $^{\circ}$ C, 30minutes) \rightarrow (Room temperature, 2~3 minutes) \rightarrow (+125 \pm 2 $^{\circ}$ C, 30minutes) \rightarrow (Room temperature, 2~3 minutes) (2) Measuring resistance 1 hour after test
Moisture with Load	$\Delta R: \pm (5.0\% + 0.1\Omega)$ Without distinct damage in appearance Marking should be legible	Max. 50m Ω	(1) Environment condition : 40 \pm 2 $^{\circ}$ C, 90~95% RH (4) Applied Voltage: rated voltage (2) Test period: (1.5 hour ON \rightarrow (0.5 hour OFF) cycled for total 1,000 + 48 / - 0 hours (3) Measuring resistance 1 hour after test
Load Life	$\Delta R: \pm (5.0\% + 0.1\Omega)$ Without distinct damage in appearance	Max. 100m Ω	(1) Test temperature : 70 \pm 2 $^{\circ}$ C (2) Applied Voltage: rated voltage (3) Test period : (1.5 hour ON) \rightarrow (0.5 hour OFF) cycled for total 1,000 + 48 / - 0 hours (4) Measuring resistance 1 hour after test
Low Temperature Store	$\Delta R: \pm (5.0\% + 0.1\Omega)$ Without distinct damage in appearance	Max. 100m Ω	(1) Store temperature : -55 \pm 3 $^{\circ}$ C for total 1,000 + 48 / - 0 hours (2) Measuring resistance 1 hour after test
High Temperature Store	$\Delta R: \pm (5.0\% + 0.1\Omega)$ Without distinct damage in appearance	Max. 100m Ω	(1) Store temperature : +125 \pm 2 $^{\circ}$ C for total 1,000 + 48 / - 0 hours (2) Measuring resistance 1 hour after test

6. Recommend Land Pattern Dimensions



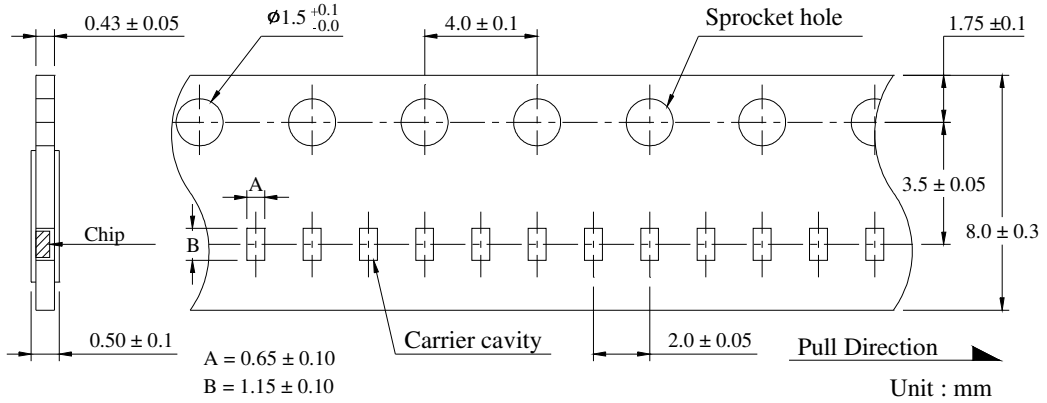
A	0.5
B	1.5
C	0.4~0.8

Unit : mm

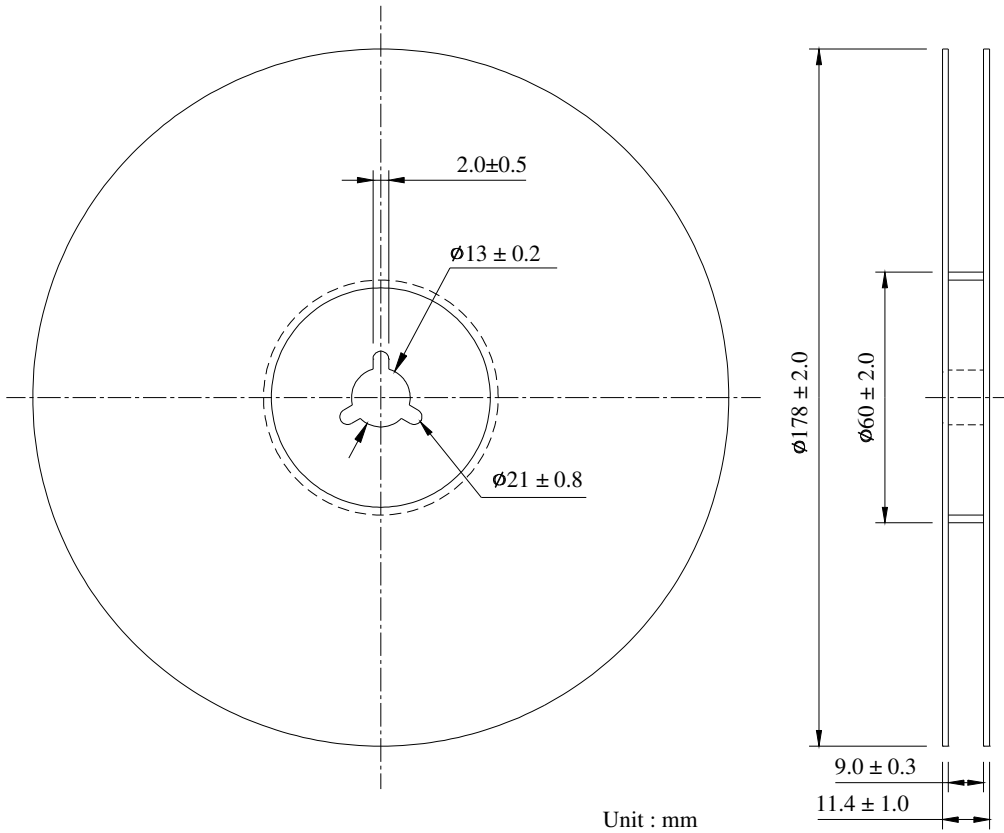
7. Packaging

7-1 Dimensions

7-1-1 Tape packaging dimensions



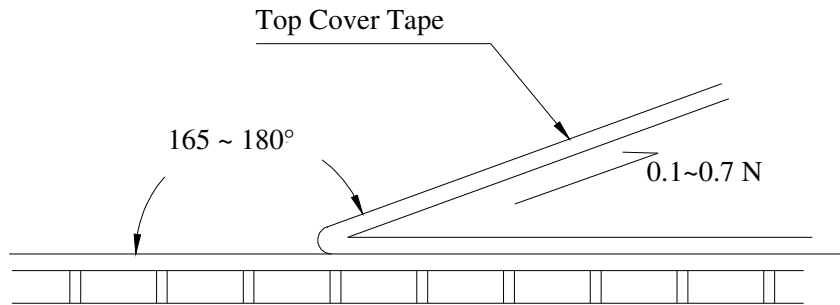
7-1-2 Reel dimensions



7-2 Peel force of top cover tape

The peel speed shall be about 300 mm/minute

The peel force of top cover tape shall be between 0.1 to 0.7 N



7-3 Numbers of taping

10,000 pieces/reel

7-4 Label marking

The following items shall be marked on the production and shipping Label on the reel.

7-4-1 Production Label

- (1) Part No.
- (2) Description
- (3) Quantity
- (4) Taping No.

7-4-2 Shipping Label

- (1) *Customer's name
- (2) *Customer's part No.
- (3) Manufacturer's part No.
- (4) Manufacturer's name
- (5) Manufacturer's country

*Note : Item (1) and (2) are listed by request

8. Care note

8-1 Care note for storage

- (1) Chip resistor shall be stored in a room where temperature and humidity must be controlled. (temperature 5 to 35°C, humidity 45 to 85% RH) However, a humidity keep it low, as it is possible.
- (2) Chip resistor shall be stored as direct sunshine doesn't hit on it.
- (3) Chip resistor shall be stored with no moisture, dust, a material that will make solderability inferior, and a harmful gas (Chloridation hydrogen, sulfurous acid gas, and sulfuration hydrogen)

8-2 Care note for operating and handling

- (1) It is necessary to protect the edge and protection coat of resistors from mechanical stress.
- (2) Handle with care when printing circuit board (PCB) is divided or fixed on support body, because bending of printing circuit board (PCB) mounting will make mechanical stress for resistors.
- (3) Resistors shall be used with in rated range shown in specification. Especially, if voltage more than specified value will be loaded to resistor, there is a case it will make damage for machine because of temperature rise depending on generating of heat, and increase resistance value or breaks.
- (4) In case that resistor is loaded a rated voltage, it is necessary to confirms temperature of a resistor and to reduce a load power according to load reduction curve, because a temperature rise of a resistor depends on influence of heat from mounting density and neighboring element.
- (5) Observe Limiting element voltage and maximum overload voltage specified in each specification
- (6) If there is possibility that a large voltage (pulse voltage, shock voltage) charge to resistor, it is necessary that operating condition shall be set up before use.