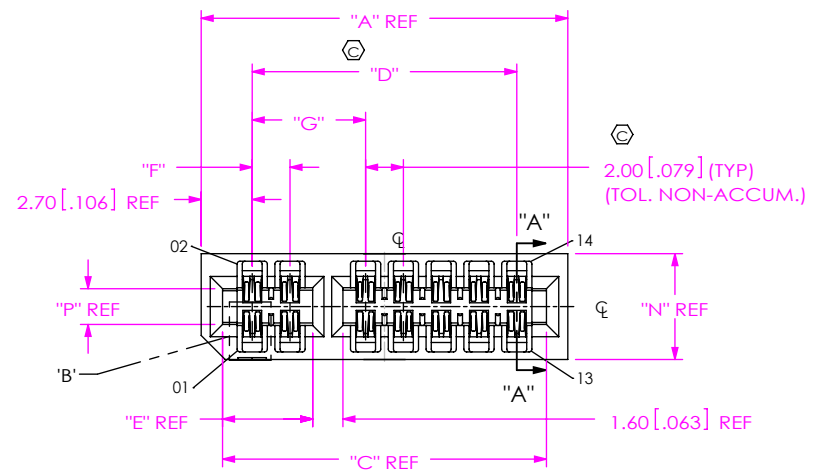


**REVISION L**

DO NOT SCALE FROM THIS PRINT

**DESIGNED & DIMENSIONED IN MILLIMETERS (INCHES FOR REFERENCE ONLY)**

**MEC2-XX-XX-X-XXX-XX-XX**



**No OF POSITIONS (PER ROW)**  
 -05, -08 -20, -30, -40, -50  
 (SEE TABLE 2 FOR POSITION REMOVED TO POLARIZE)

**CARD THICKNESS**  
 -01: 1.57mm [.062"] THICK  
 -02: 2.36mm [.093"] THICK

**PLATING SPECIFICATION**  
 -L: 10μ" LIGHT SELECTIVE GOLD IN CONTACT AREA MATTE TIN ON TAIL

**ROW SPECIFICATION**  
 -DV: SURFACE MOUNT  
 -TH1: THROUGH HOLE FOR 1.57mm [.062"] THICK BOARD  
 \*-TH2: THROUGH HOLE FOR 2.36mm [.093"] THICK BOARD

(\* = NOT TOOLED)

**PACKAGING**

-K: POLYIMIDE FILM PAD (SEE SHT 2, TABLE 6) AVAILABLE WITH -DV & -TR ONLY  
 (-05 THRU -30 POS ONLY)  
 -TR: TAPE & REEL (-05 THRU -30 POS ONLY) AVAILABLE WITH -DV ONLY

**OPTION**

-NP: NON-POLARIZED (-05, -08, -20 & -30 POSITIONS ONLY) (USE MEC2-XX-XX-TH-NP) (SEE FIG 4, SHT 3)  
 -WT: WELD TABS (REQUIRED ON -02 CARD THICKNESS) (OPTIONAL ON -01 CARD THICKNESS) (SEE FIG 2, SHT 2)

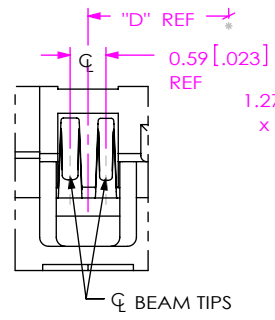
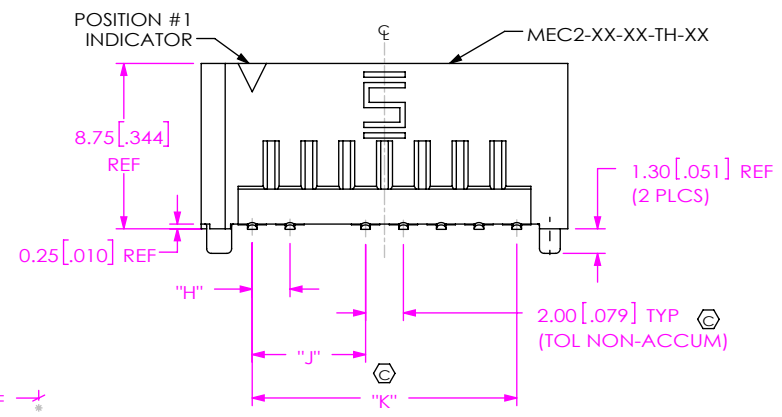
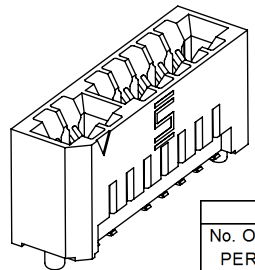
**TABLE 2**

No OF POS	POLARIZED POSITIONS
**05	3, 4
**08	5, 6
**20	15, 16
**30	21, 22
**40	31, 32
**50	41, 42

(\*\*=NUMBER OF POSITIONS WILL BE REDUCED BY 1 PER ROW FOR POLARIZATION)

**TABLE 1**

No OF POS	COPLANARITY
-05 THRU -30	0.102 [.0040]
-40 & -50	0.152 [.0060]



**DETAIL 'B' SCALE 8 : 1**

**FIG 1 (MEC2-08-01-XX-DV-XX SHOWN)**

**TABLE 3**

No. OF POS. PER ROW	"A"	"B"	"C"	"D"	"E"
-05	13.40 [.528]	11.50 [.453]	11.14 [.439]	8.00 [.315]	2.77 [.109]
-08	19.40 [.764]	17.50 [.689]	17.14 [.675]	14.00 [.551]	4.77 [.188]
-20	43.40 [1.709]	41.50 [1.634]	41.14 [1.620]	38.00 [1.496]	14.77 [.581]
-30	63.40 [2.496]	61.50 [2.421]	61.14 [2.407]	58.00 [2.283]	20.77 [.818]
-40	83.40 [3.283]	81.50 [3.209]	81.14 [3.194]	78.00 [3.071]	30.77 [1.211]
-50	103.40 [4.071]	101.50 [3.996]	101.14 [3.982]	98.00 [3.858]	40.77 [1.605]

No. OF POS. PER ROW	"F"	"G"	"H"	"J"	"K"
-05	N/A	4.000 [.1575]	N/A	4.00 [.157]	8.00 [.315]
-08	2.000 [.0787]	6.000 [.2362]	2.00 [.079]	6.00 [.236]	14.00 [.551]
-20	12.000 [.4724]	16.000 [.6299]	12.00 [.472]	16.00 [.630]	38.00 [1.496]
-30	18.000 [.7087]	22.000 [.8661]	18.00 [.709]	22.00 [.866]	58.00 [2.283]
-40	28.000 [1.1024]	32.000 [1.2598]	28.00 [1.102]	32.00 [1.260]	78.00 [3.071]
-50	38.000 [1.4961]	42.000 [1.6535]	38.00 [1.496]	42.00 [1.654]	98.00 [3.858]

**TABLE 4**

CARD THICKNESS	"N"	"P"	"R"	"S"	"V"
-01 (.062 in)	5.60 [.220]	1.89 [.074]	0.55 [.022]	4.66 [.183]	3.02 [.119]
-02 (.093 in)	6.30 [.248]	2.68 [.106]	1.34 [.053]	5.45 [.215]	3.81 [.150]

- NOTES:**
- ⊕ REPRESENTS A CRITICAL DIMENSION.
  - BURR ALLOWANCE: 0.04 [.0015] MAX.
  - MINIMUM PUSHOUT FORCE: 2.2 NEWTONS [.50LBS.]
  - ALL TAIL TO TAIL DIMENSIONS MEASURED TIP TO TIP.
  - ASSEMBLIES TO BE PACKAGED IN TUBES, UNLESS -TR IS SPECIFIED.
  - MATING EDGE CARD THICKNESS TOLERANCE NOT TO EXCEED ±10%

UNLESS OTHERWISE SPECIFIED, DIMENSIONS ARE IN MILLIMETERS.

**TOLERANCES ARE:**  
 DECIMALS ANGLES  
 .X: ± .3 [.01]  
 .XX: ± .13 [.005]  
 .XXX: ± .05 [.0020]

**PROPRIETARY NOTE**  
 THIS DOCUMENT CONTAINS CONFIDENTIAL AND PROPRIETARY INFORMATION AND ALL DESIGN, MANUFACTURING, REPRODUCTION, USE, PATENT RIGHTS AND SALES RIGHTS ARE EXPRESSLY RESERVED BY SAMTEC, INC. THIS DOCUMENT SHALL NOT BE DISCLOSED, IN WHOLE OR PART, TO ANY UNAUTHORIZED PERSON OR ENTITY NOR REPRODUCED, TRANSFERRED OR INCORPORATED IN ANY OTHER PROJECT IN ANY MANNER WITHOUT THE EXPRESS WRITTEN CONSENT OF SAMTEC, INC.

**MATERIAL:** DO NOT SCALE DRAWING SHEET SCALE: 1:0.4  
**INSULATOR:** LCP, UL 94 V0  
 COLOR: -01 CARD THICKNESS BLACK, -02 CARD THICKNESS NATURAL  
**CONTACT:** BeCu ALLOY



520 PARK EAST BLVD, NEW ALBANY, IN 47150  
 PHONE: 812-944-6733 FAX: 812-948-5047  
 e-Mail: info@SAMTEC.com code: 55322

**DESCRIPTION:**  
 MEC2 2.0mm EDGE CARD ASSEMBLY

**DWG. NO.**  
 MEC2-XX-XX-X-XXX-XX-XX

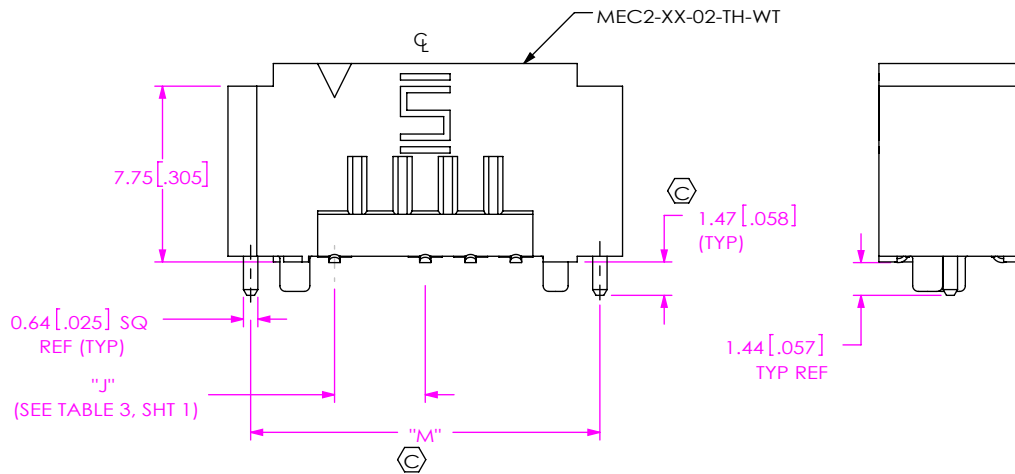
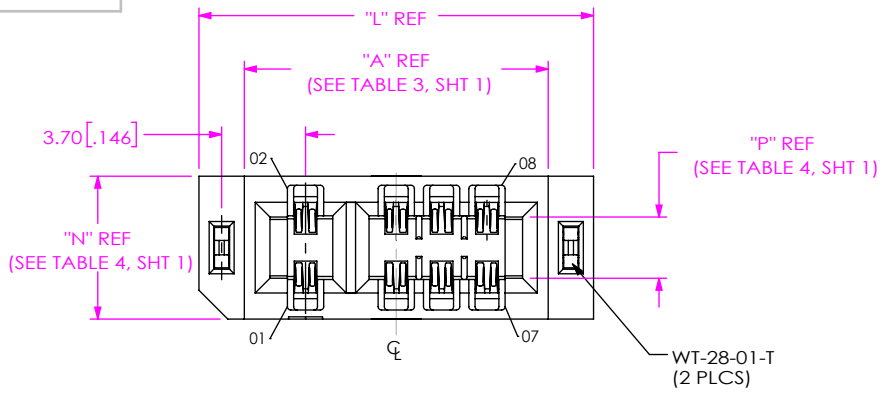
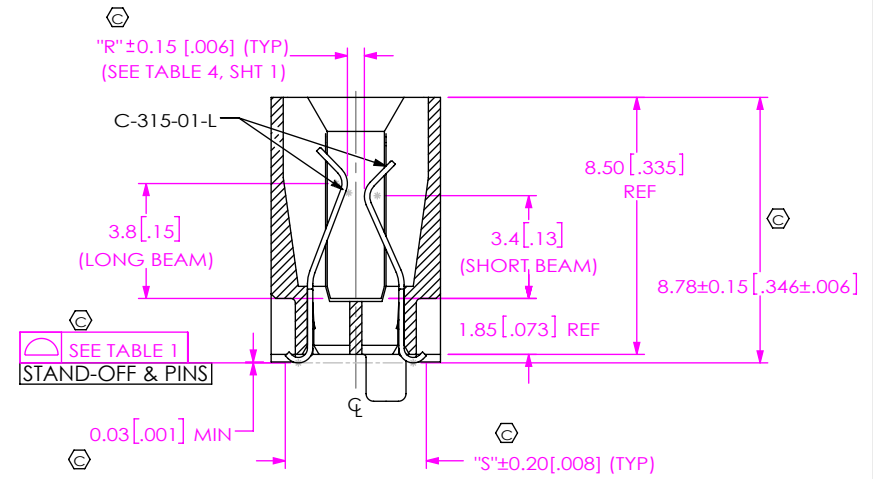


FIG 2

(MEC2-05-02-XX-DV-WT SHOWN)  
(SAME AS FIG. 1, EXCEPT AS SHOWN)



SECTION "A"-"A"  
SCALE 4 : 1

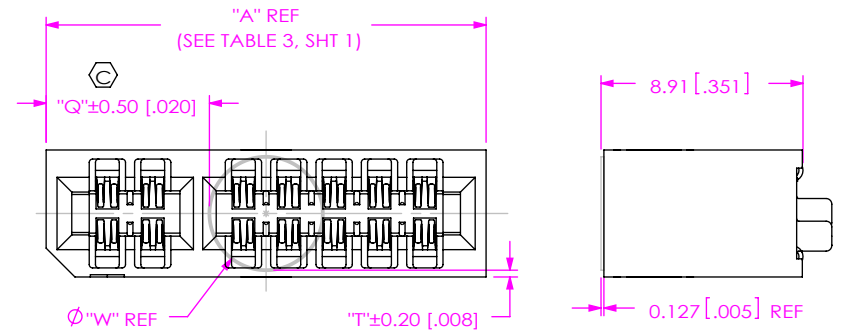


FIG 3

-K OPTION  
(MEC2-08-01-XX-DV-K SHOWN)

TABLE 6

BOARD THICKNESS	W DIA.	"T"	"Q"					KAPTON CALL-OUT
			No OF POSITIONS PER ROW					
			-05	-08	-20	-30		
-01	5.00 [.197]	0.30	4.20 [.165]	7.20 [.283]	19.20 [.756]	29.20 [1.150]	K-DOT-.197-.344-.005	
-02	6.00 [.236]	0.15	3.70 [.146]	6.70 [.264]	18.70 [.736]	28.70 [1.130]	K-DOT-.236-.343-.005	
-01 WITH -WT	5.00 [.197]	0.30	6.20 [.244]	9.20 [.362]	21.20 [.835]	31.20 [1.228]	K-DOT-.197-.344-.005	
-02 WITH -WT	6.00 [.236]	0.15	5.70 [.224]	8.70 [.343]	20.70 [.815]	30.70 [1.209]	K-DOT-.236-.343-.005	

TABLE 5

No. OF POS. PER ROW	"L"	"M"
-05	17.40 [.685]	15.40 [.606]
-08	23.40 [.921]	21.40 [.843]
-20	47.40 [1.866]	45.40 [1.787]
-30	67.40 [2.654]	65.40 [2.575]
-40	87.40 [3.441]	85.40 [3.362]
-50	107.40 [4.228]	105.40 [4.150]

PROPRIETARY NOTE

THIS DOCUMENT CONTAINS CONFIDENTIAL AND PROPRIETARY INFORMATION AND ALL DESIGN, MANUFACTURING, REPRODUCTION, USE, PATENT RIGHTS AND SALES RIGHTS ARE EXPRESSLY RESERVED BY SAMTEC, INC. THIS DOCUMENT SHALL NOT BE DISCLOSED, IN WHOLE OR PART, TO ANY UNAUTHORIZED PERSON OR ENTITY NOR REPRODUCED, TRANSFERRED OR INCORPORATED IN ANY OTHER PROJECT IN ANY MANNER WITHOUT THE EXPRESS WRITTEN CONSENT OF SAMTEC, INC.

DO NOT SCALE DRAWING

SHEET SCALE: 3:1



520 PARK EAST BLVD, NEW ALBANY, IN 47150  
PHONE: 812-944-6733 FAX: 812-948-5047  
e-Mail: info@SAMTEC.com code: 53322

DESCRIPTION:  
MEC2 2.0mm EDGE CARD ASSEMBLY

DWG. NO.  
MEC2-XX-XX-X-XXX-XX-XX

BY: KNOWLDEN 2/14/10 SHEET 2 OF 3

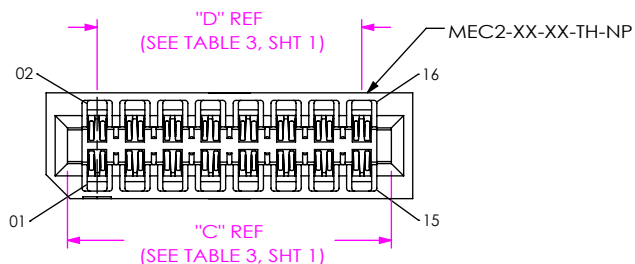


FIG 4

(MEC2-08-01-XX-XXX-NP SHOWN)  
(SAME AS FIG. 1, EXCEPT AS SHOWN)

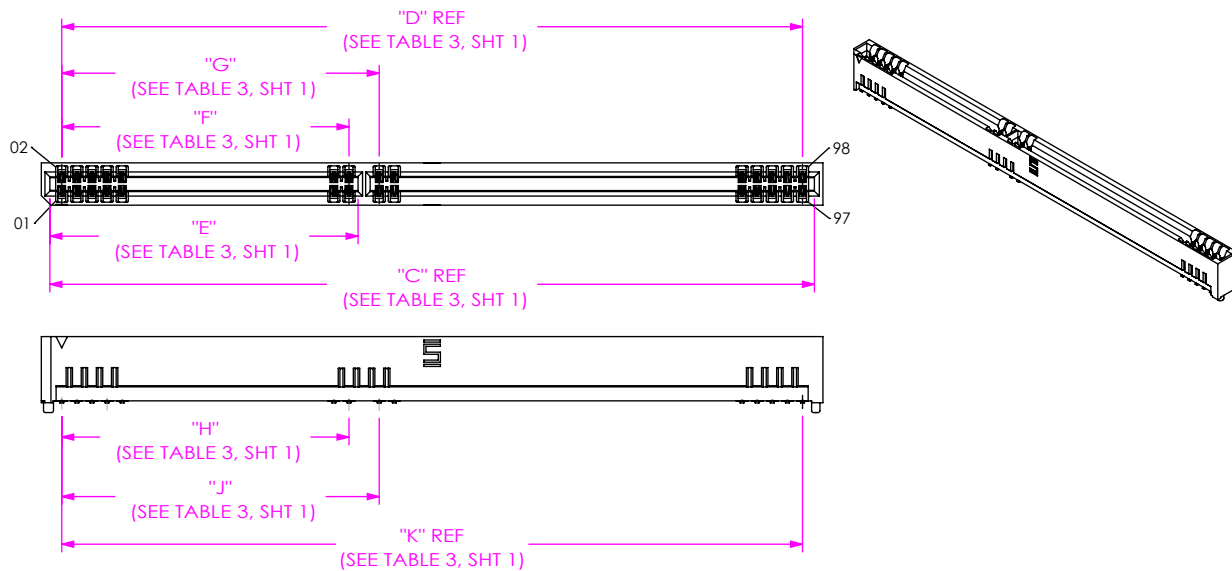


FIG 5

SCALE 1:1

(MEC2-50-01-XX-DV-XX SHOWN)  
(SAME AS FIG 1, EXCEPT AS SHOWN)  
(SOME CENTER FEATURES REMOVED FOR CLARITY)

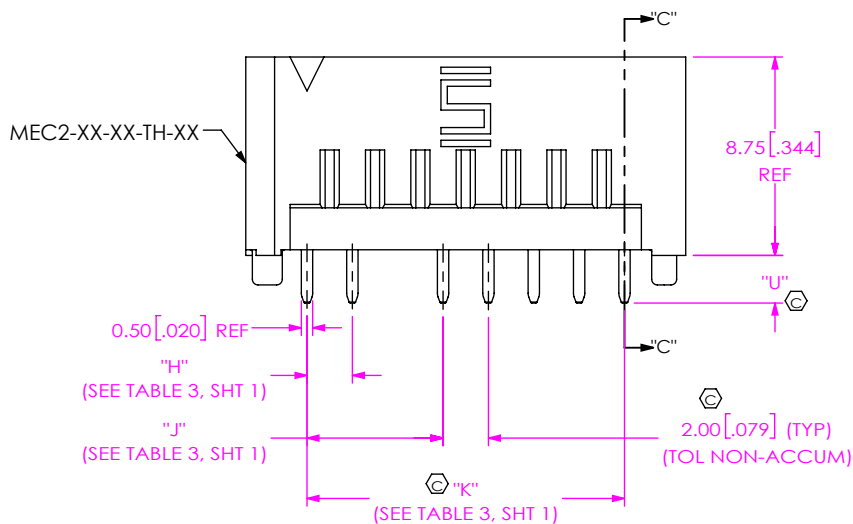
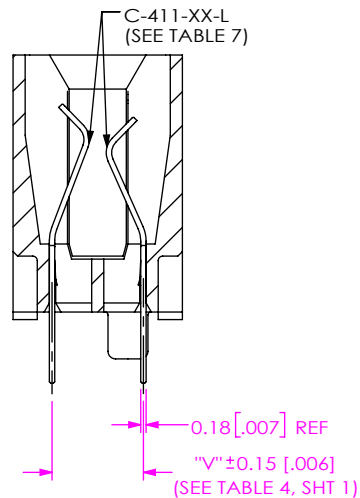
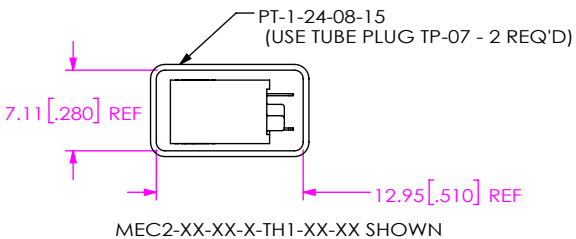
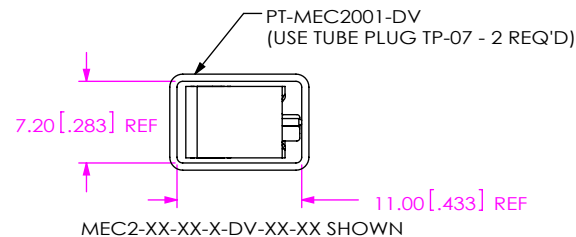


FIG 7  
SCALE 3:1

MEC2-08-01-L-TH1-XX SHOWN  
(SAME AS FIG 1, EXCEPT AS SHOWN)



SECTION "C"-"C"  
SCALE 4:1



PACKAGING VIEW

TABLE 7		
ROW SPECS	"U"	CONTACT
-TH1	2.10 [.083]	C-411-01-L
*-TH2	2.90 [.114]	C-411-02-L

(\* = NOT TOOLED)

**PROPRIETARY NOTE**  
THIS DOCUMENT CONTAINS CONFIDENTIAL AND PROPRIETARY INFORMATION AND ALL DESIGN, MANUFACTURING, REPRODUCTION, USE, PATENT RIGHTS AND SALES RIGHTS ARE EXPRESSLY RESERVED BY SAMTEC, INC. THIS DOCUMENT SHALL NOT BE DISCLOSED, IN WHOLE OR PART, TO ANY UNAUTHORIZED PERSON OR ENTITY NOR REPRODUCED, TRANSFERRED OR INCORPORATED IN ANY OTHER PROJECT IN ANY MANNER WITHOUT THE EXPRESS WRITTEN CONSENT OF SAMTEC, INC.

DO NOT SCALE DRAWING

SHEET SCALE: 5:2



520 PARK EAST BLVD, NEW ALBANY, IN 47150  
PHONE: 812-944-6733 FAX: 812-948-5047  
e-Mail: info@SAMTEC.com code: 55322

DESCRIPTION:  
MEC2 2.0mm EDGE CARD ASSEMBLY

DWG. NO.  
MEC2-XX-XX-X-XXX-XX-XX

BY: KNOWLDEN 2/14/10 SHEET 3 OF 3