

RoHS Compliant

REV	SIGN	DATE	DESCRIPTION	APPROVER
B		2020.11.11	The first release	Guoxue
C	△	2021.01.26	Add TUV certification	Rhine

THIS IS CAD DRAWING, DO NOT REVISE MANUALLY!!!

DIMENSION

DIM.L	NX5.0
DIM.B	(N-1)X5.0

N=Number of poles

Poles	Dim.L Tolerance
2p-6p	±0.15
7p-12p	±0.25
13p-18p	±0.35
19p-24p	±0.40

Material:

- Item ① Insulator body:Thermoplastic (UL 94V-0)
- Item ② Terminal body(house): Brass ,Ni plated
- Item ③ Contacts:Brass ,Tin plated
- Item ④ Terminal screw: Steel Zinc plating"-slot type

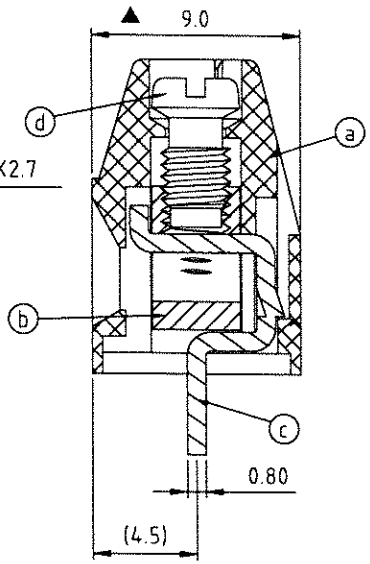
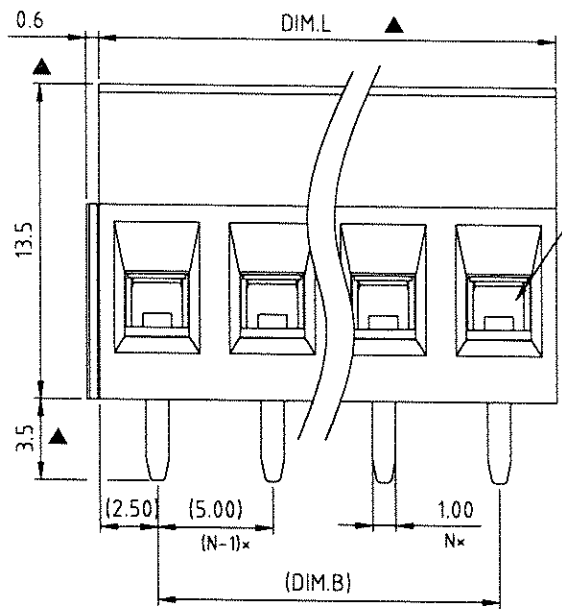
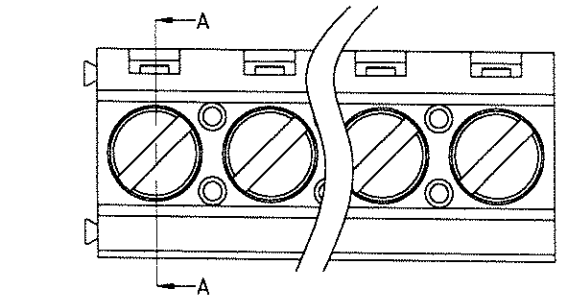
△ Electrical cULus TUV

- Voltage rating: 300VAC 250VAC
- Current rating: 16A 17.5A
- Wire range: 0.2-1.5mm<sup>2</sup>
- Solid wire(AWG): 12-28
- Stranded wire(AWG): 12-28
- Torque: 3.5Lb-in. 0.5N.m
- Screw: M3
- Wire strip length: 6-7mm
- Withstanding Voltage: 1.6KV 2.0KV
- Operating temperature: -40°C to +115°C
- Wave soldering temperature: 260°C±5°C/5 Sec
- Safety Approval: cULus △
- Critical dimension: ▲

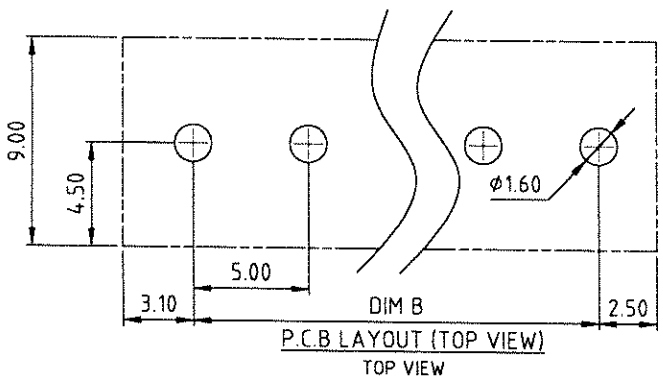


● Reference dimension: ( × )The dimensions of pitch are just for reference,take the actual assembly result as a judgment when inserting the terminal block into the PCB hole.

	VI xx 01 x 5 xxxx G	RoHS compliant (lead=4%) In copper Alloy
02 2 POLES	0 Black (RAL9005)	0000:"@ "Logo (Standard)
03 3 POLES	2 Red (RAL3001/D)	000A:"ANYTEK"Logo
...	3 Orange(RAL2011/P)	Any special item by customer request, please contact sales department.
24 24 POLES	4 Yellow(RAL1018/A)	
	5 Green(RAL6018/T)	
	6 Blue (RAL5015/A)	
	8 Grey(RAL7035/D)	
	C Green(RAL6018/U)	



SECTION A-A



<b>Amphenol ANYTEK</b>		<b>CUSTOMER COPY</b>	
ALL RIGHTS RESERVED. REPRODUCTION OR ISSUE TO THIRD PARTIES IN ANY FORM WHATSOEVER IS NOT PERMITTED WITHOUT WRITTEN AUTHORITY FROM THE PROPRIETOR. PROPERTY OF ANYTEK TECHNOLOGY CO., LTD			
TITLE	VI 5.0 SERIES Solid block 180° wire inlet (without cover)---have Probe hole		
PART NO.	VIxx01x5xxxxG	DWG NO.	8VI0434
APPROVED	CHECKED	DESIGNED	DRAWN
		Rhine 2021.01.26	Rhine 2021.01.26
SHEET: 01/01		UNIT: mm	Tolerance X. ±0.50
		SCALE: NONE	X.X ±0.30
		REV.: C	X.XX ±0.10
			X° ±1°

12/03/2021