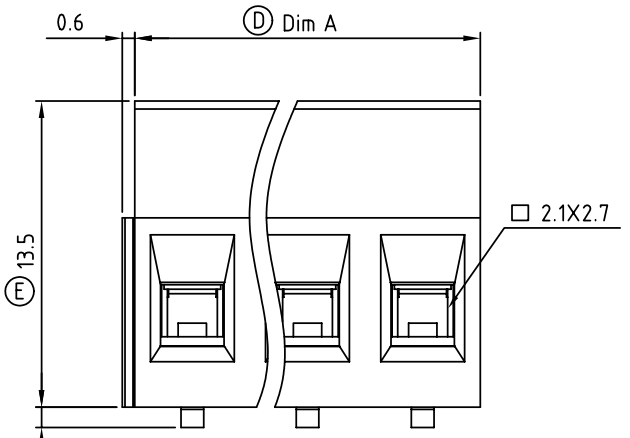
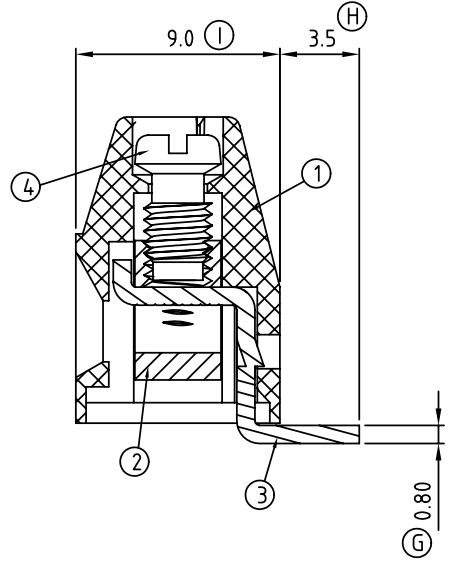


P.C.B LAYOUT



N=Number of contacts



SIGN	DATE	DESCRIPTION	APPROVER
△			
△			
△			

THIS IS CAD DRAWING, DO NOT REVISE MANUALLY!!!

Material:

- Item 1 Terminal housing: Thermoplastic (UL 94V-0)
- Item 2 Clamp: Brass ,Ni plated
- Item 3 Wire guard solder pin: Brass ,Tin plated
- Item 4 Terminal screw: Steel Zinc plating"-slot type

Electrical cULus

- Voltage rating: 300V
- Current rating: 16A
- Wire range:
- Solid wire(AWG): 12-28
- Stranded wire(AWG): 12-28
- Torque: 3.5Lb-In
- Screw: M3
- Wire strip length: 6-7mm
- Withstanding Voltage: 1.6KV
- Operating temperature: -40°C to +115°C
- Soldering temperature: 250°C±10°C/5 Sec
- Safety Approval: US

VI xx 21 x 3 xxxx G

- | | | | |
|----------------|--------------|------------------------|----------------|
| 04 4 CONTACTS | 0 Black | 0000:"@Logo (Standard) | Pb < 40,000ppm |
| 05 5 CONTACTS | 5 Green | 000A:"ANYTEK"Logo | (RoHS) |
| | 6 Blue | Any special item by | |
| 24 24 CONTACTS | 8 Light Grey | customer request, | |
| | | please contact sales | |
| | | department. | |

Poles	02	03	04	05	06	07	08	09	10	11	12	13	
Dim A			20.32	25.40	30.48	35.56	40.64	45.72	50.80	55.88	60.96	66.04	
Dim B			15.24	20.32	25.40	30.48	35.56	40.64	45.72	50.80	55.88	60.96	
TOL	±0.10			±0.15				±0.20					
Poles	14	15	16	17	18	19	20	21	22	23	24		
Dim A	71.12	76.20	81.28	86.36	91.44	96.52	101.60	106.68	111.76	116.84	121.92		
Dim B	66.04	71.12	76.20	81.28	86.36	91.44	96.52	101.60	106.68	111.76	116.84		
TOL	±0.20		±0.25				±0.30						

ANYTEK

CUSTOMER COPY

ALL RIGHTS RESERVED. REPRODUCTION OR ISSUE TO THIRD PARTIES IN ANY FORM WHATSOEVER IS NOT PERMITTED WITHOUT WRITTEN AUTHORITY FROM THE PROPRIETOR. PROPERTY OF ANYTEK TECHNOLOGY CO., LTD

TITLE		VI 5.08 SERIES 4P-24P 90° wire inlet Vertical-solid block(without cover)					
PART NO.		VIxx21x3xxxxG			DWG NO.		8VI0303
APPROVED	CHECKED	DESIGNED	DRAWN	CUST NO.		Tolerance X. ±0.50 X.X ±0.30 X.XX ±0.10 X° ±1°	
		Aaron 2009.09.16	Aaron 2009.09.16				
				UNIT: mm			
				SCALE: NONE			
				SHEET: 01/01	REV.: B		