

M4CZ Series

Enclosed Basic Switch

◆ Features

- ✓ Positive Opening basic switch
- ✓ Durable and economical PPS plastic with fiber glass enclosure
- ✓ Enclosure material helps resist against corrosive chemicals
- ✓ Completely sealed IP67 protection rating
- ✓ SVT cable type (UL approved)

◆ Recognition(s)

- ✓ CE – EN60947
- ✓ CCC – GB14048.5-2017
- ✓ RoHS Compliant



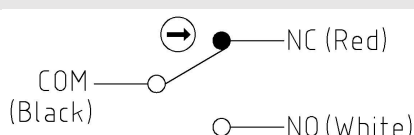
◆ Characteristics

Positive Opening	Electrical Contact	Terminal Type	Contact Form(s)	Poles & Throws	Actuation Sequence(s)
Yes	3 Points	Wire	Form C	SPDT	Break(1) Make(2)

Operating Temp.	AC Rated	DC Rated	IP	Oil Resist	Dust Resist	Water Resist	Operating Speed
-20 to 70 Celsius	1.5A 250V	0.4A 125V	67	Yes	Yes	Yes	0.1mm to 0.5m/sec

Operation Frequency	Contact Resistance	Insulation Resistance	Vibration
Mechanically: 120/min Electrically: 30/min	300mΩ max. (initial)	100MΩ min. (500VDC)	1.5mm amplitude at 10-55Hz

Storage Humidity	Service Life (min.)	Dielectric Strength
85% RH max	Mechanically: 2,000,000 operations Electrically: 500,000 operations	1000VAC, 50/60Hz for 1 minute between non-continuous terminals

Recommended tightening forces	Circuitry						
<table border="1"> <thead> <tr> <th>Purpose</th> <th>Screw type</th> <th>Tightening</th> </tr> </thead> <tbody> <tr> <td>Mounting</td> <td>M4</td> <td>1.18~1.37N·m</td> </tr> </tbody> </table>	Purpose	Screw type	Tightening	Mounting	M4	1.18~1.37N·m	
Purpose	Screw type	Tightening					
Mounting	M4	1.18~1.37N·m					

◆ Materials

Actuation touch part	Electrical contact point	Enclosure
Nylon, or Stainless Steel	Silver 99.9%	PPS plastic with glass fiber

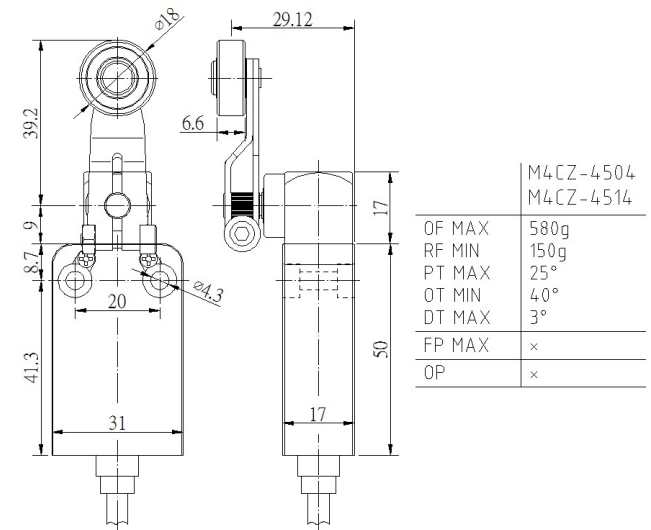
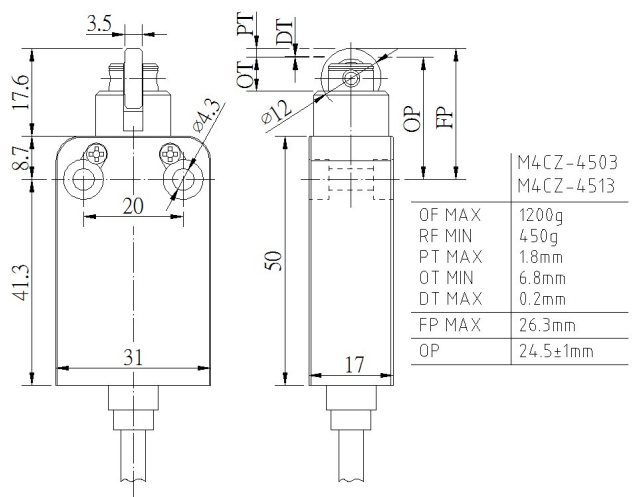
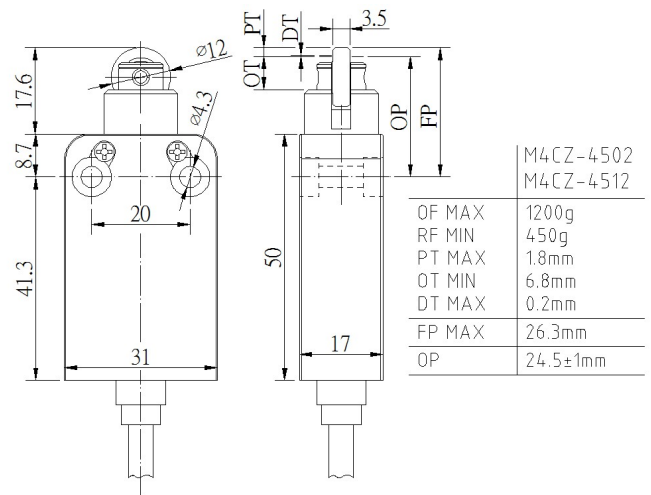
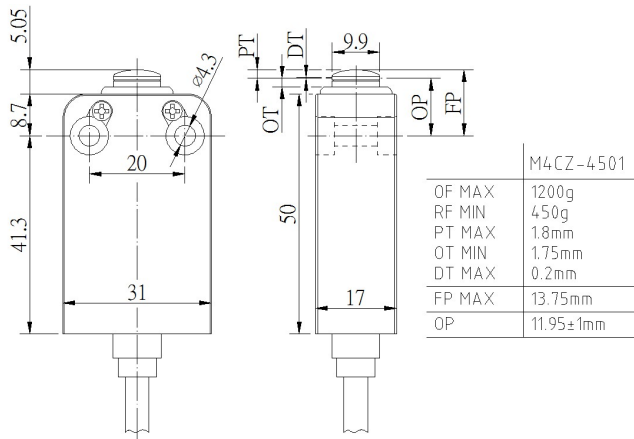
 ◆ Nomenclature

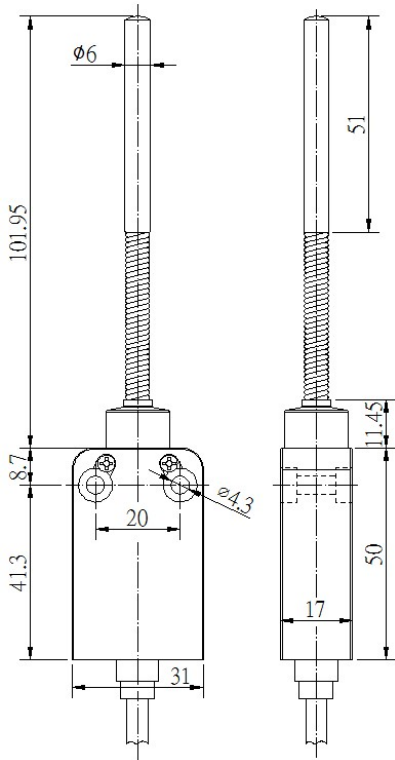
Series:	Cable direction	Actuator:	Cable Length:
M4CZ –	45	01 –	1L
	45=Bottom out	<u>Stainless Steel Touch Part</u> 01=Plunger 02=Roller plunger 03=Cross roller plunger 04=Side rotary, roller 06=Spring, coil 07=Side rotary, adjustable rod 08=Side rotary, adjustable roller 11=Plunger, sealed boot <u>Nylon Touch Part</u> 12=Roller plunger 13=Cross roller plunger 14=Side rotary, roller 16=Spring, coil 18=Side rotary, adjustable roller	1L=1m SVT 2L=2m SVT 3L=3m SVT

◆ Dimensions & Operating Characteristics

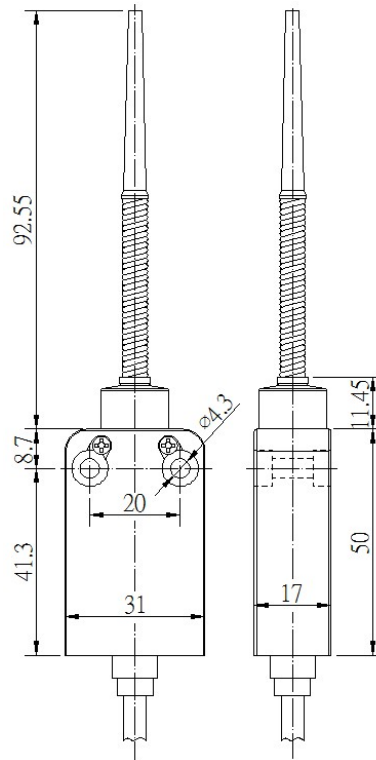
*Measurements in *millimeters*

*Actuation touch part materials does not affect operating characteristics

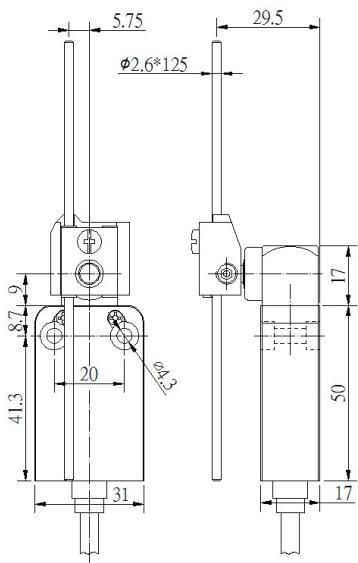




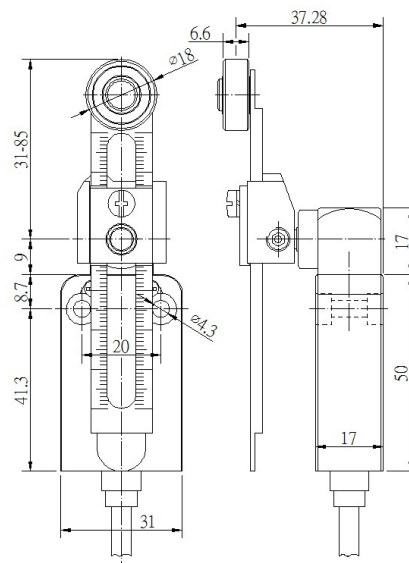
M4CZ-4506	
OF MAX	90g
RF MIN	x
PT MAX	x
OT MIN	x
DT MAX	x
FP MAX	x
OP	x



M4CZ-4516	
OF MAX	90g
RF MIN	x
PT MAX	x
OT MIN	x
DT MAX	x
FP MAX	x
OP	x



M4CZ-4507	
OF MAX	200g
RF MIN	12g
PT MAX	20°
OT MIN	75°
DT MAX	10°
FP MAX	x
OP	x



M4CZ-4508	
M4CZ-4518	
OF MAX	340g
RF MIN	21g
PT MAX	20°
OT MIN	75°
DT MAX	10°
FP MAX	x
OP	x



M4CZ-4506



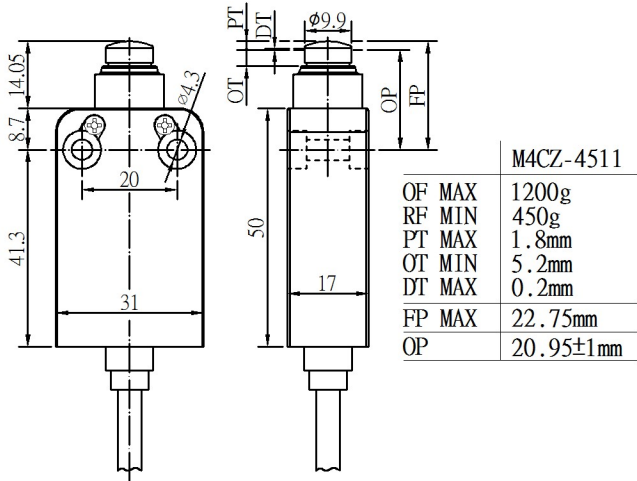
M4CZ-4516



M4CZ-4507



M4CZ-4508/4518


M4CZ-4511

◆ Handling and Usage

The bottom of the Switch at the cable outlet is resin-molded. Secure the cable at a point 5 cm from the Switch bottom to prevent exertion of excess force on the cable.

When bending the cable, provide a bending radius of 45 mm min. so as not to damage the cable insulation or sheath. Excessive bending may cause fire or leakage current.

