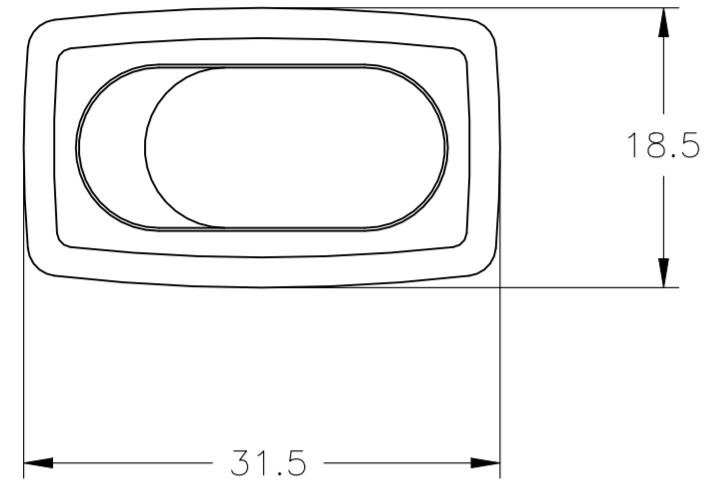
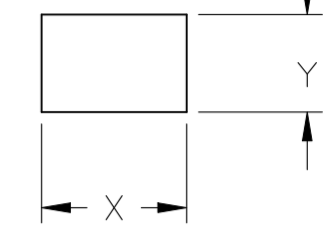


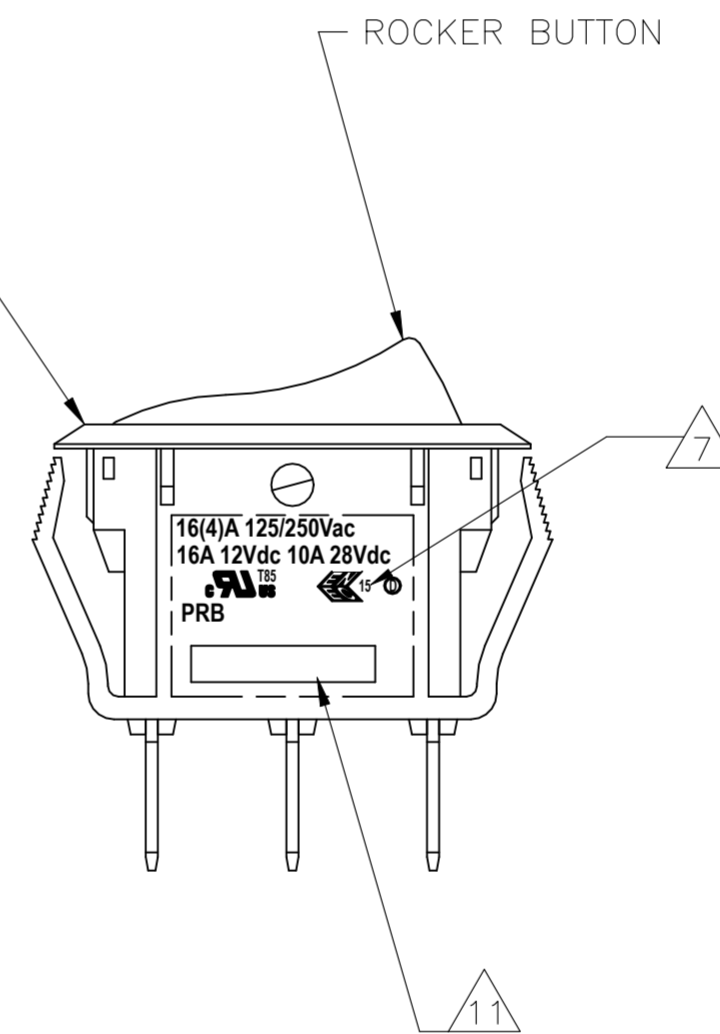
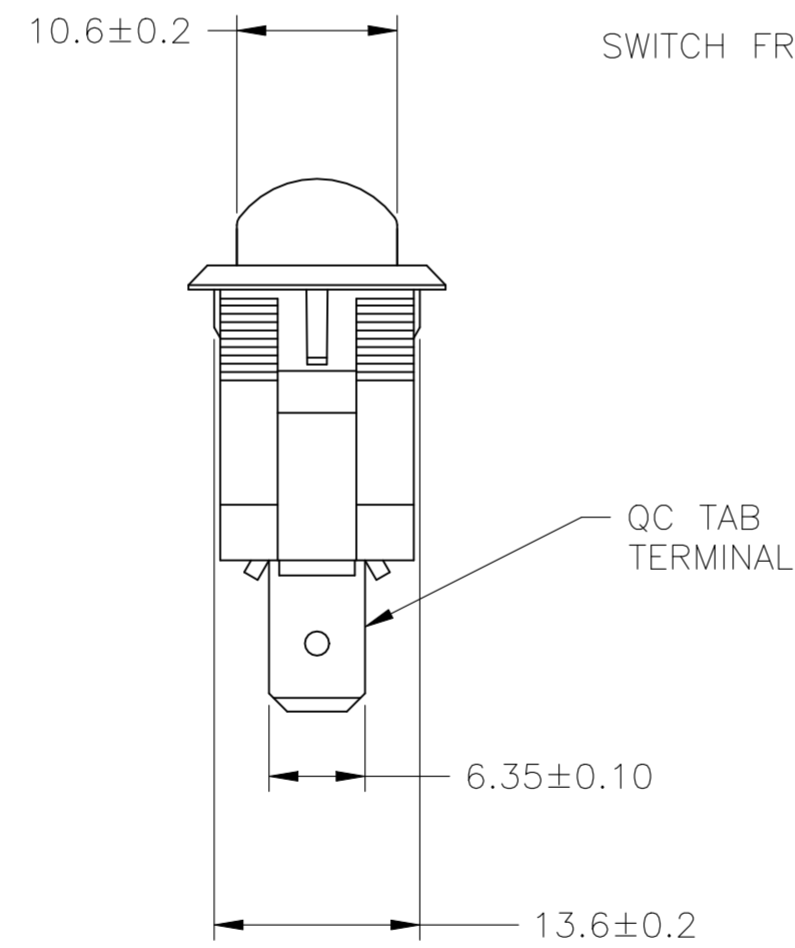
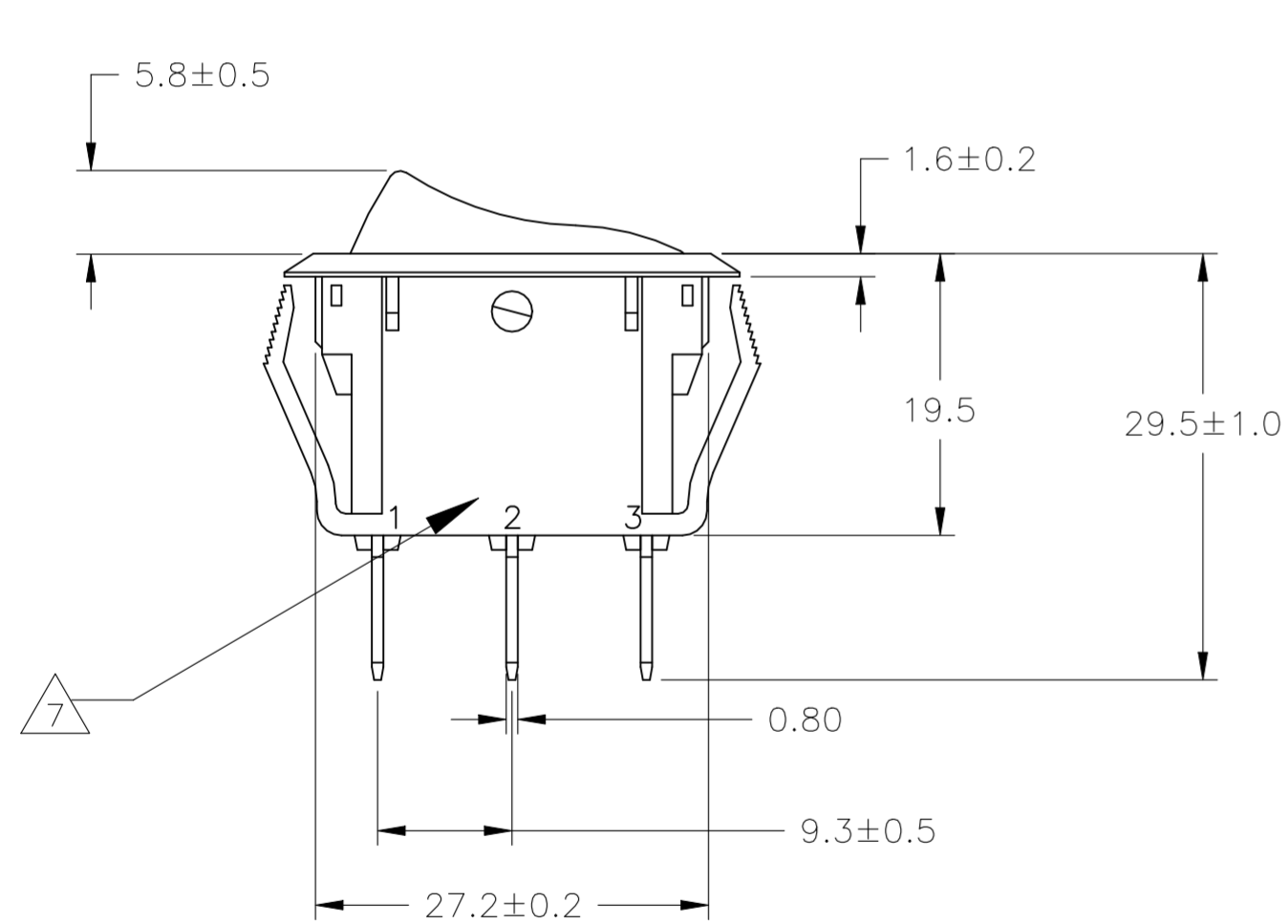
REVISIONS					
P	LTR	DESCRIPTION	DATE	DWN	APVD
G		REVISED PER ECN-23-227856	13SEP2023	GSK	MD



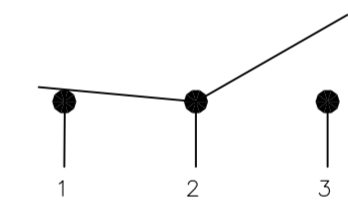
PANEL CUT OUT



4.00-5.00	28.0-0.1	13.8+0.1
3.00-4.00	27.8-0.1	13.8+0.1
0.75-3.00	27.6-0.1	13.8+0.1
PANEL THICKNESS	X	Y



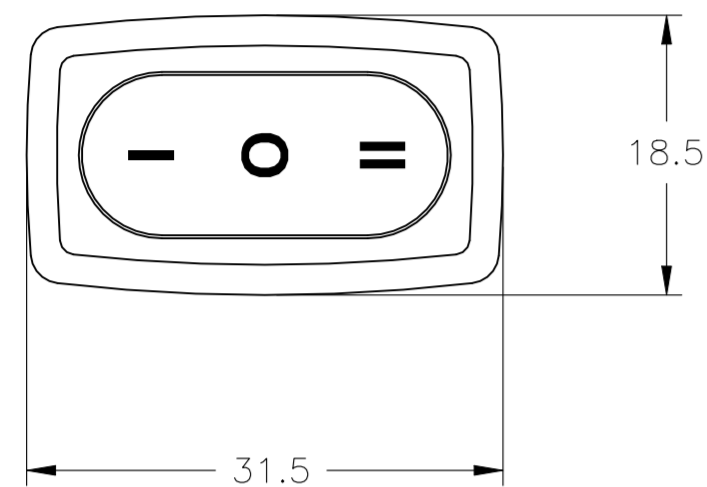
SWITCH FUNCTION D1
CIRCUIT DIAGRAM



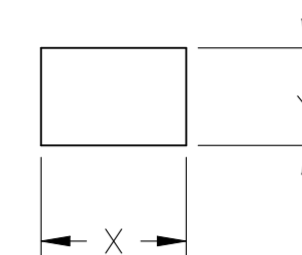
OBSOLETE 1571094-1 SHOWN

THIS DRAWING IS A CONTROLLED DOCUMENT.		DWN BSV	05APR04		
DIMENSIONS: mm		CHK J.MOSIER	APVD JP		
TOLERANCES UNLESS OTHERWISE SPECIFIED:		PRODUCT SPEC		NAME	
0 PLC	± -	NOT APPLICABLE		POWER ROCKER SWITCH 13.8mmX27.6mm	
1 PLC	± 0.30	APPLICATION SPEC		PANEL SIZE SPDT, 3 TERMINALS, NON-ILLUMINATED	
2 PLC	± 0.05	NOT APPLICABLE		SIZE	RESTRICTED TO
3 PLC	± -	MATERIAL		A2	
4 PLC	± -	FINISH		CAGE CODE	DRAWING NO
ANGLES	± -	WEIGHT		00779	C=1571094
		CUSTOMER DRAWING		SCALE	SHEET
				2:1	1 of 3
					REV G

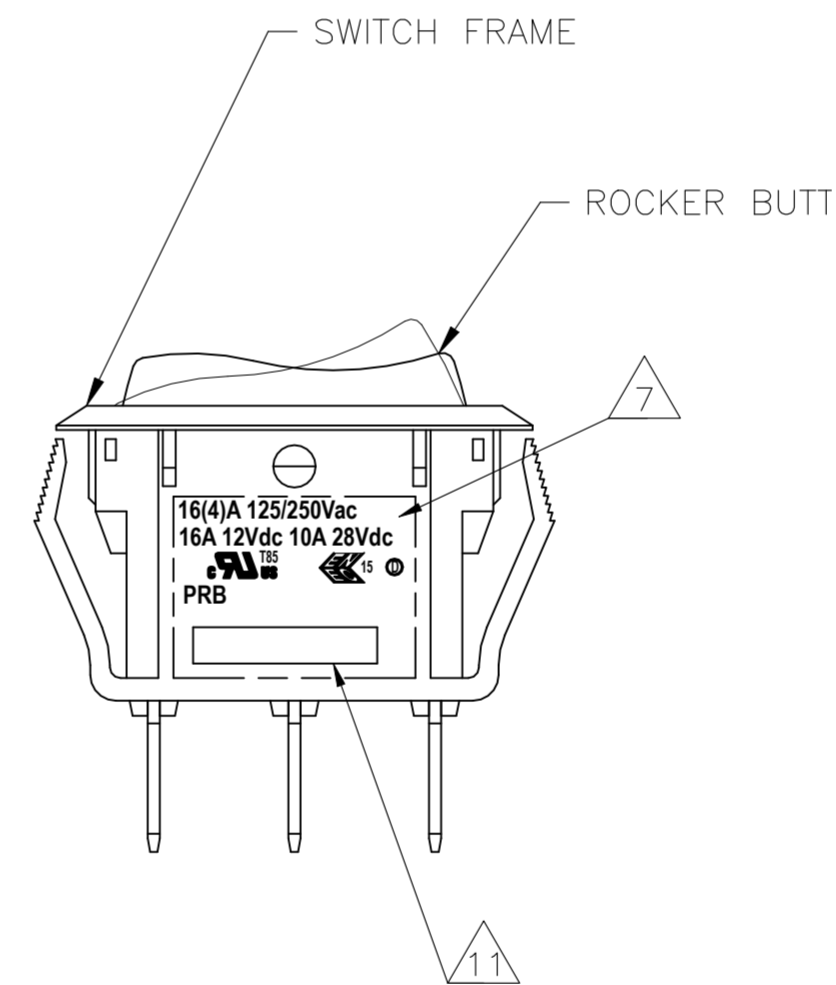
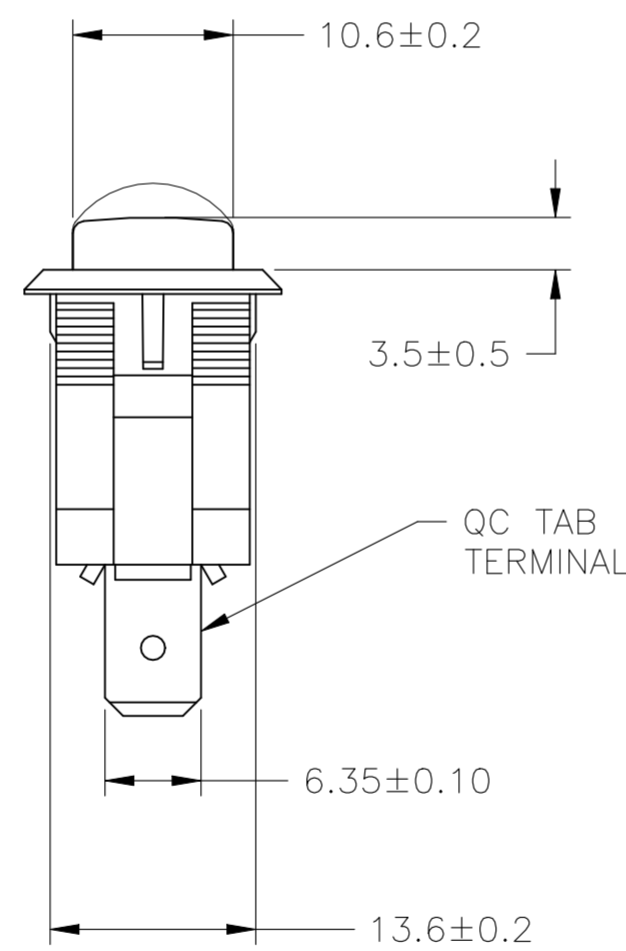
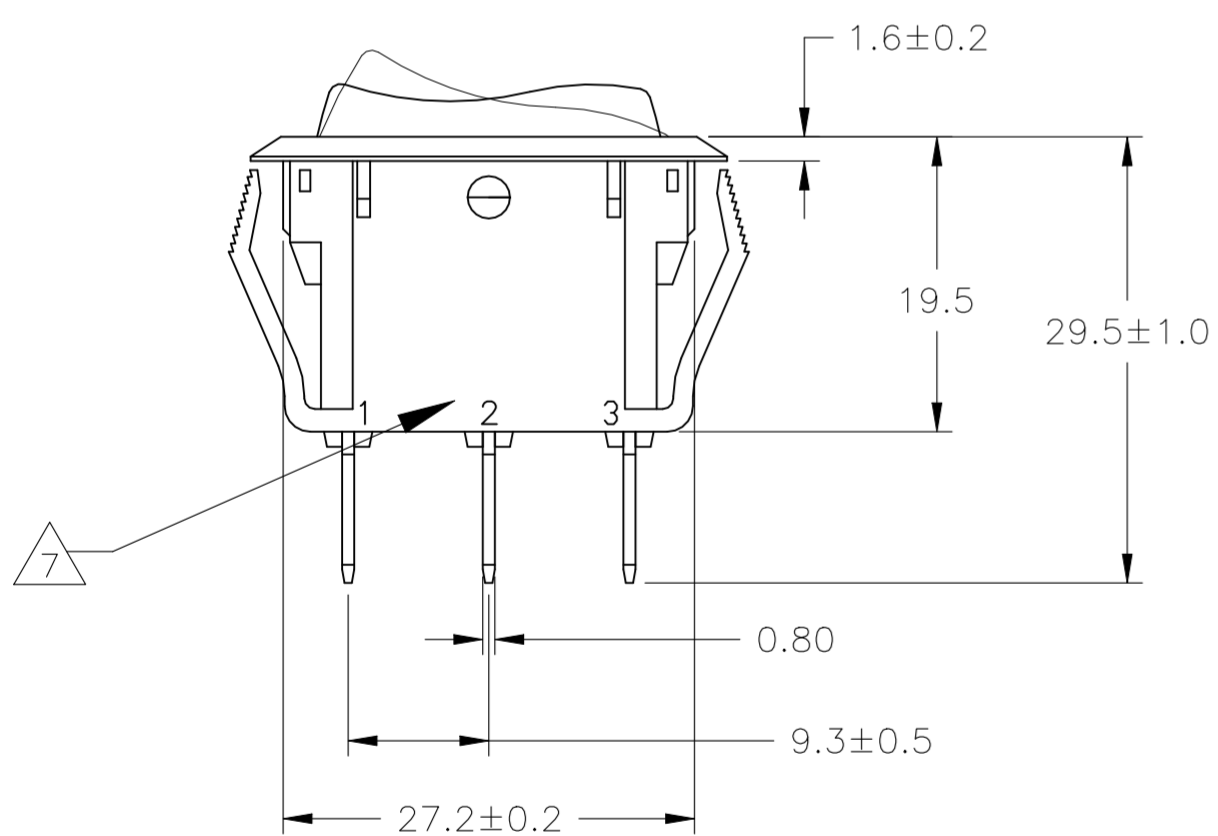
P	LTR	DESCRIPTION	DATE	DWN	APVD
-	-	SEE SHEET 1	-	-	-



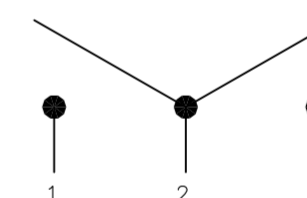
PANEL CUT OUT



4.00-5.00	28.0-0.1	13.8+0.1
3.00-4.00	27.8-0.1	13.8+0.1
0.75-3.00	27.6-0.1	13.8+0.1
PANEL THICKNESS	X	Y



SWITCH FUNCTION D3
CIRCUIT DIAGRAM

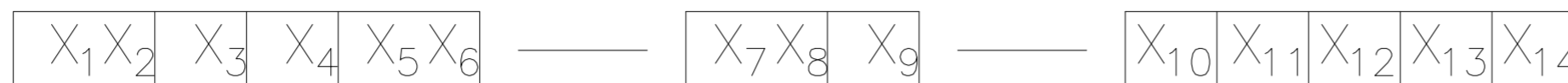


OBSELETE 1571094-5 SHOWN

THIS DRAWING IS A CONTROLLED DOCUMENT.		DWN BSV	05APR04		
DIMENSIONS: mm		CHK J.MOSIER	APVD JP		
TOLERANCES UNLESS OTHERWISE SPECIFIED:		PRODUCT SPEC		NAME POWER ROCKER SWITCH, 13.8mm X 27.6mm	
0 PLC ± -		NOT APPLICABLE		PANEL CUT-OUT SIZE, SINGLE POLE, DOUBLE THROW, THREE TERMINALS, NON-ILLUMINATED	
1 PLC ± 0.30		APPLICATION SPEC		SIZE A2	RESTRICTED TO -
2 PLC ± 0.05		MATERIAL 1		CAGE CODE 00779	DRAWING NO. C=1571094
3 PLC ± -		FINISH 2		SCALE 2:1	SHEET 2 of 3
4 PLC ± -		WEIGHT		REV G	
ANGLES ± -		CUSTOMER DRAWING			

P	LTR	DESCRIPTION	DATE	DWN	APVD
-		SEE SHEET 1	-	-	-

LEGACY PART NUMBER



SWITCH TYPE: X1X2 = PR - POWER ROCKER

SECONDARY ROCKER COLOR: X12 = ∅ - NOT APPLICABLE

NOMINAL PANEL CUT OUT SIZE: X3 = B - 13.8 x 27.6

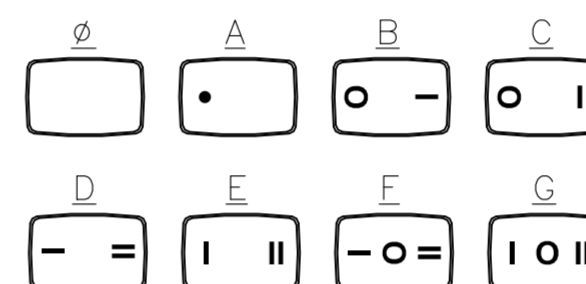
NUMBER OF POLES: X4 = S - SINGLE

SWITCH FUNCTION: X5X6 = D1 : ON - NONE - ON, WITH OPAQUE, SINGLE-COLOR ROCKER BUTTON
D3 : ON - OFF - ON, WITH OPAQUE, SINGLE-COLOR ROCKER BUTTON

CURRENT RATING: X7X8 = 16 - △6

LEGEND TEXT PATTERN: X13 =

TERMINAL TYPE: X9 = F - QC TAB
L - SOLDER LUG



FRAME COLOR: X10 = B - BLACK
W - WHITE

LEGEND TEXT COLOR: X14 = ∅ - NOT APPLICABLE

ROCKER COLOR: X11 = B - BLACK
G - GREEN
R - RED
W - WHITE

G - GREEN
R - RED
B - BLACK
W - WHITE

1 **MATERIALS:**
 ROCKER BUTTON & HOUSING: NYLON 66, UL 94 V-2.
 TERMINAL, ACTIVE CONTACTOR: COPPER ALLOY PER ASTM B152/B152M
 PLUNGER: COPPER ALLOY PER ASTM B036
 SPRING: STEEL WIRE PER ASTM A228/A228M
 CONTACT: SILVER TIN OXIDE

6 **RATINGS:** 16(4) A, 125/250 V ac,
 16 A, 12 V dc, 10 A, 28 V dc

2 **FINISH:**
 TERMINAL, ACTIVE CONTACTOR: 1.0µm MIN SILVER
 PLUNGER: 3.0µm MIN NICKEL

7 **ELECTRICAL RATINGS, APPROVED AGENCY LOGOS, TERMINAL IDENTIFICATION NUMBERS, AND THE TE CONNECTIVITY LOGO MOLDED APPROXIMATELY AS SHOWN ON THE SIDES OF THE SWITCH HOUSING.**

3. ELECTRICAL SPECIFICATIONS:
 CURRENT & VOLTAGE **△6**
 CONTACT RESISTANCE (INITIAL): <50mΩ
 DIELECTRIC STRENGTH (INITIAL): >1000 VAC, 1 MINUTE
 INSULATION RESISTANCE (INITIAL): >100MΩ MIN (500VDC BETWEEN OPEN CONTACTS)
 INRUSH CURRENT: 50A / 3msec (CAPACITIVE LOAD)
 ELECTRICAL LIFE ENDURANCE: >6000 OPERATIONS,
 TEMPERATURE RISE AT TERMINALS: <30°C, 6000 OPERATIONS
 (AMBIENT CONDITIONS: 25±2°C AND 65±5%R.H)

- 8. COMPONENT-RECOGNIZED TO US & CANADIAN STANDARDS. UL FILE NO. E46765
- 9. COMPONENT-RECOGNIZED TO EUROPEAN STANDARDS (ENEC & DEMKO) MARKS LICENSE NO ENEC-03738 & D-08816
- 10. ROHS 2002/95/EC COMPLIANT

4. MECHANICAL SPECIFICATIONS:
 ACTUATING FORCE: 300g MIN, 700g MAX
 OPERATING LIFE ENDURANCE: >100,000 OPERATIONS
 TERMINAL STRENGTH : >2.5kg- SOLDER LUG
 >10.0kg- QC TAB

11 **TE CONNECTIVITY LOGO LOCATED APPROXIMATELY AS SHOWN**

5. ENVIRONMENTAL SPECIFICATIONS:
 AMBIENT TEMPERATURE: -20°C TO +85°C
 HUMIDITY: MAX 85%
 SALT SPRAY: NO REMAKABLE RUST IN METAL PARTS. (5%SALT / 35°C 24HRS)
 SHOCK: NO MECHANICAL DEFECT OR DAMAGE. (100g / 10MSEC/ X,Y,Z 3 TIMES)
 VIBRATION: NO MECHANICAL DEFECT OR DAMAGE. (10-55Hz /1.5mm/ X,Y,Z 2HRS)

	1	PRBSD1-16F-WWOEB	1-1571094-3
	2	PRBSD3-16F-BW000	1571094-7
OBSOLETE	2	PRBSD3-16F-BB0GW	1571094-6
	2	PRBSD3-16F-BB0FW	1571094-5
	2	PRBSD3-16F-BB000	1571094-4
OBSOLETE	1	PRBSD1-16F-BB0EW	1571094-3
	1	PRBSD1-16F-BB0DW	1571094-2
	1	PRBSD1-16F-BB000	1571094-1
SHEET REF.		LEGACY PART NUMBER	PART NUMBER

THIS DRAWING IS A CONTROLLED DOCUMENT.		DWN BSV	05APR04	TE TE Connectivity	
DIMENSIONS: mm		CHK J.MOSIER	APVD JP		
TOLERANCES UNLESS OTHERWISE SPECIFIED:		PRODUCT SPEC		NAME POWER ROCKER SWITCH, 13.8mm X 27.6mm	
0 PLC ± -		NOT APPLICABLE		PANEL CUT-OUT SIZE, SINGLE POLE, DOUBLE THROW, THREE TERMINALS, NON-ILLUMINATED	
1 PLC ± 0.30		APPLICATION SPEC		SIZE	RESTRICTED TO
2 PLC ± 0.05		NOT APPLICABLE		CAGE CODE	
3 PLC ± -				DRAWING NO	
4 PLC ± -				A2	
ANGLES ± -				00779	
FINISH				C=1571094	
MATERIAL		WEIGHT		SCALE 1:1 SHEET 3 of 3 REV G	
		CUSTOMER DRAWING			