



## SALES PACKAGING SPECIFICATION



LANGUAGE

JAPANESE  
ENGLISH

## 1. 製品名称 : 1.5 W/B CONN. SINGLE DIP R/A REC. ASS' Y

PRODUCT NAME:

製品番号 : 5 0 3 1 7 5 - \* \* 0 ☆

5 0 3 1 7 5 - \* \* 1 \*

PART NUMBER:

(\* \* は極数を示し、☆は色を示す)

(\* \* IS CIRCUITS SIZE, ☆ IS COLOR)

## 2. 標準梱包数

STANDARD PACKAGING QUANTITY

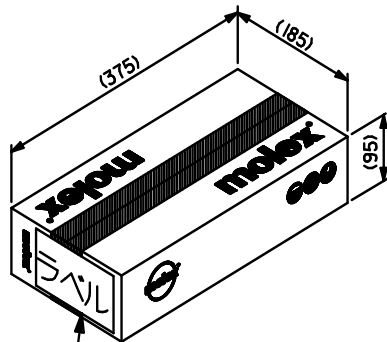
極数 CKT. SIZE	プラスチックトレイ (8列) PLASTIC TRAY (8 ROW)	内装カートン PRIMARY CARTON		外装カートン SHIPPING CARTON
	1トレイ製品数 QTY. IN ONE TRAY	トレイ枚数 NUMBER OF TRAY	製品数 QUANTITY	製品数 (内装カートン×4) QUANTITY (PRIMARY CARTON X4)
2	400	8	3,200	12,800
3	330	8	2,640	10,560
4	255	8	2,040	8,160
5	220	8	1,760	7,040
6	180	8	1,440	5,760
7	165	8	1,320	5,280
8	135	8	1,080	4,320
9	135	8	1,080	4,320
10	120	8	960	3,840
11	120	8	960	3,840
12	110	8	880	3,520
13	90	8	720	2,880
14	90	8	720	2,880
15	90	8	720	2,880

REV.	B						
SHEET	1~2						
REVISE ON PC ONLY		TITLE:					
<b>B</b>	REVISED J2009-2910 '09/06/26 C.ARIZONO		5 0 3 1 7 5 梱包仕様書 SALES PACKAGING SPEC. FOR 503175				
	THIS DOCUMENT CONTAINS INFORMATION THAT IS PROPRIETARY TO MOLEX INC. AND SHOULD NOT BE USED WITHOUT WRITTEN PERMISSION						
REV.	DESCRIPTION						
DESIGN CONTROL J		STATUS	WRITTEN BY: Y.TOKUZONO	CHECKED BY: T.HARUYAMA	APPROVED BY: N.UKITA	DATE : YR/MO/DAY 2008/11/12	

DOCUMENT NUMBER <b>SPK-503175-001</b>	FILE NAME SPK503175001.doc	SHEET 1 of 2
--	-------------------------------	-----------------



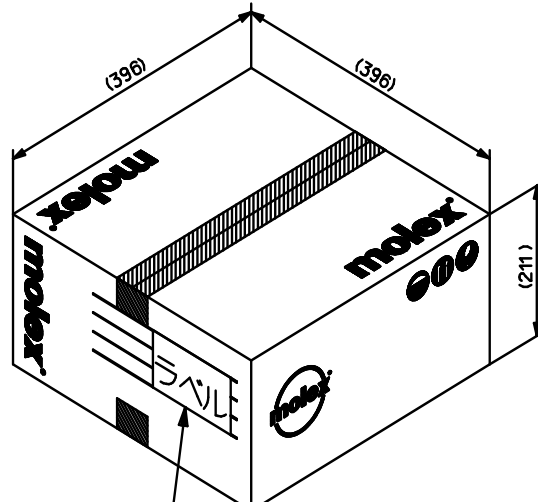
3. カートン外形参考寸法  
CARTON OUTER DIMENSIONS (REFERENCE PURPOSE ONLY)



現品票  
PART ID LABEL

(製品型番, 数量, ロットNO. 表示)  
INDICATION OF PART No., QUANTITY, LOT No.

内装カートン  
PRIMARY CARTON



カートンラベル  
PART ID LABEL

(製品型番, 数量, ロットNO. 表示)  
INDICATION OF PART No., QUANTITY, LOT No.

外装カートン  
SHIPPING CARTON

REVISE ON PC ONLY		TITLE:  503175 梱包仕様書 SALES PACKAGING SPEC. FOR 503175
<b>B</b>	SEE SHEET 1 OF 2	
REV.	DESCRIPTION	THIS DOCUMENT CONTAINS INFORMATION THAT IS PROPRIETARY TO MOLEX INC. AND SHOULD NOT BE USED WITHOUT WRITTEN PERMISSION
DOCUMENT NUMBER <b>SPK-503175-001</b>		FILE NAME SPK503175001.doc
		SHEET 2 of 2