



## **369 SERIES SEALED PANEL MOUNT CONNECTOR**

HIGH-RELIABILITY, LIGHTWEIGHT, COMPACT CONNECTORS

# 369 Series Sealed Panel Mount Connector



High-reliability, lightweight, compact connectors

## EASY TO INSTALL

- Integrated panel latches for mtg.
- No fasteners required
- Simple push-in mounting
- One panel hole only

## VERSATILE

- Replaceable gaskets accommodate various panel thicknesses and help prevent rattling
- Easily removed for maintenance and repair

## SPACE SAVING

- Compact design
- Tight mounting pitch of multiple connectors
- No additional space required for fasteners

## WEIGHT SAVING

- Composite shells
- No additional fasteners required

## RUGGED

- Low smoke, toxicity and flammability
- Excellent temperature, vibration and fluid resistance
- Triple barrier wire seals
- Cork-in-bottle interface seal

## CONVENIENT

- Compatible with existing 369 series connectors
- Uses standard 369 wire strain-relief backshell
- Uses AS39029 Size 22 contacts

## RELIABLE

- Positive button latching mechanism with audible click
- 100% scoop proof to minimize contact damage and allow blindmating

## APPLICATIONS

- Cabin lighting and galley
- Seat wiring and actuation
- Passenger service units
- In-flight entertainment
- Electronic window shutters

## Fast, Easy Tool-less Panel Mounting

369 series panel-mount connectors from TE Connectivity (TE), an extension to the existing 369 series product line, allow easy, fast mounting to an LRU (line-replaceable unit) panel, bracket, chassis, or frame. The integrated panel latches simply clip into a rectangular cut-out and require no additional fasteners or fixings. The latches also allow later removal from the panel. The connectors feature a panel sealing gasket.

The connectors' rectangular shape permits space-efficient stacking, and remain fully compatible with standard 369 series connectors.

A button-latching mechanism secures the mated connectors.

## Sealed and Safe

The electrical interfaces are fully sealed using cork-in-bottle and triple wire seal technology for use in areas with high levels of moisture. High-performance composite materials help meet the low smoke, toxicity and flammability requirements of the aerospace industry.

## MECHANICAL CHARACTERISTICS

- **Operating Temperature:** -55°C to +175°C
- **Fluid Resistance:** EN2591-315
- **IP Rating:** IP67
- **Altitude/Humidity:** RTCA DO-160
- **Vibration:** EN2591-403, Method B, Level E, 8 hr/axis
- **Shock:** EN2591-402, Method A, Severity 100
- **Smoke and Toxicity:** FAR 25.853, Appendix F; ABD0031
- **Flammability:** FAR 25.853 Appendix F; EN2591-317
- **Durability:** 500 Mating Cycles

## MATERIALS

- **Body and Insert:** Composite thermoplastic
- **Contacts:** Copper alloy, gold plated
- **Seals and Panel Gasket:** Fluorosilicone rubber
- Designed to meet the requirements of RoHS

## ELECTRICAL CHARACTERISTICS

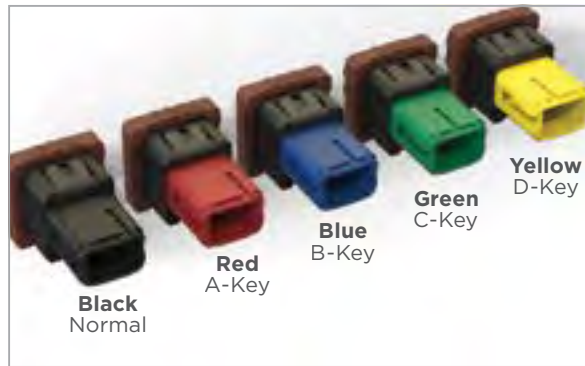
- **Dielectric Withstanding Voltage:** 1500 V<sub>rms</sub> mated, <2 mA leakage
- **Operating Current:** 5 A
- **Insulation Resistance:** ≥5000 MΩ initial

## INSTRUCTION DOCUMENTS

- **Panel:** 408-32194
- **PCB Panel:** 408-163008
- **PCB In-Line:** 408-163009
- **Instruction Sheet:** 408-32252

# 369 Series Sealed Panel Mount Connector

## KEYING COLOR CODES

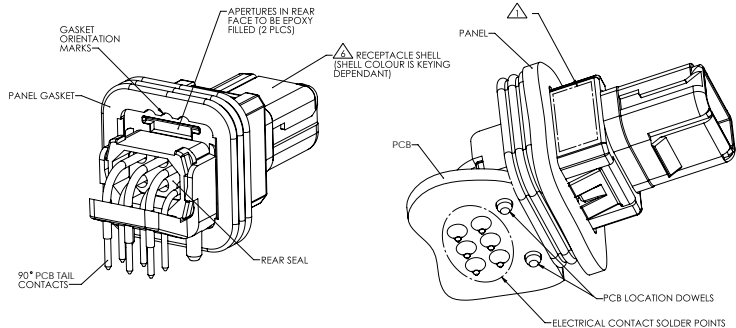
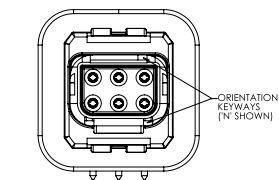
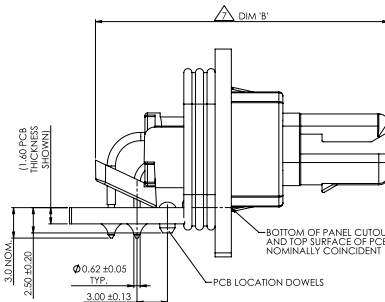
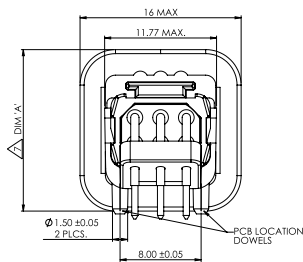
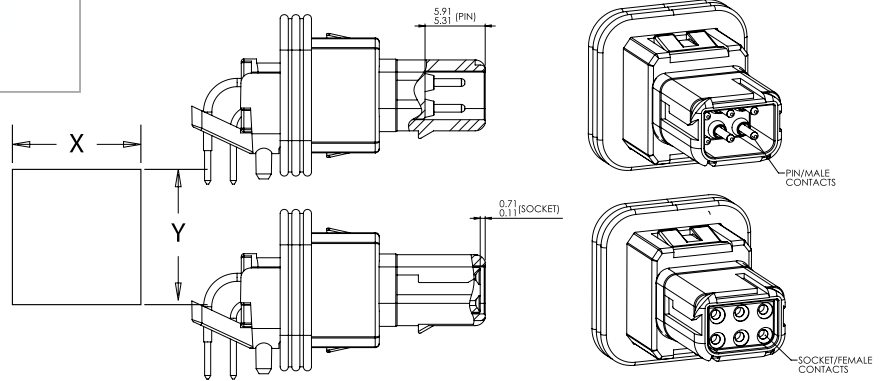


## PART NUMBERS

TE Part Number	Catalog Part Number	Description	Mating Part Number
YD369-B33-NS1-119P	D369-B33-NS1-119P	3 Way Sealed Panel	D369-P33-NP1
YD369-B66-NS1-119P	D369-B66-NS1-119P	6 Way Sealed Panel	D369-P66-NP1
YD369-B99-NS1-119P	D369-B99-NS1-119P	9 Way Sealed Panel	D369-P99-NP1
YD369-B33-NS4-119P	D369-B33-NS4-119P	3 Way Sealed Panel PCB	D369-P33-NP1
YD369-B66-NS4-119P	D369-B66-NS4-119P	6 Way Sealed Panel PCB	D369-P66-NP1
YD369-B99-NS4-119P	D369-B99-NS4-119P	9 Way Sealed Panel PCB	D369-P99-NP1

Recommended Panel Cutout		
Connector Size	X ±0.08 (0.003)	Y ±0.03 (0.001)
3	10.85 (0.420)	8.95 (0.352)
6		11.49 (0.452)
9		14.03 (0.552)

For information on contacts, please refer to Contacts table on page ?



**BASIC PART NUMBER** D369 - B 3 3 - N P 4 - 119P

**SHELL STYLE** B Panel Mount\*  
Receptacle 90°

**SHELL SIZE** 3

**CONTACT QUANTITY** 3  
(3 = 3 x #22, 6 = 6 x #22, 9 = 9 x #22)

**MOD CODE (SEALED)**

**CONTACT CONFIGURATION**  
**0** Without Contacts  
**1** With Crimp Contacts  
**3** With Size 20/22 Contacts  
**4** 90° Gold Plated PCB Tail

**CONTACT TYPE**  
**P** PIN  
**S** SKT

**SHELL KEYING**

Empower Engineers to Solve Problems, Moving the World Forward.

AMP | AGASTAT | CII | DEUTSCH | DRI | HARTMAN | KILOVAC  
MICRODOT | NANONICS | POLAMCO | Raychem | Rochester | SEACON

## CONNECT WITH US

We make it easy to connect with our experts and are ready to provide all the support you need. Visit [te.com/support](https://te.com/support) to chat with a Product Information Specialist.

## QUALITY STARTS WITH THE RIGHT APPLICATION TOOLING

Creating a quality crimp connection is essential to delivering high performance and reliability in extreme environments. From low to high volume wire processing, TE has you covered with a full range of application tooling and a global field service team.

- [View all application tooling](#)
- [Connect with our experts to find the right tool for your application](#)

### [te.com/369](https://te.com/369)

369, AMP, AMPLIMITE, AGASTAT, CII, DEUTSCH, DRI, HARTMAN, KILOVAC, MICRODOT, NANONICS, POLAMCO, Raychem, Rochester, SEACON, TE, TE Connectivity, and TE connectivity (logo) are trademarks owned or licensed by TE Connectivity. All other logos, products and/or company names referred to herein might be trademarks of their respective owners.

The information given herein, including drawings, illustrations and schematics which are intended for illustration purposes only, is believed to be reliable. However, TE Connectivity makes no warranties as to its accuracy or completeness and disclaims any liability in connection with its use. TE Connectivity's obligations shall only be as set forth in TE Connectivity's Standard Terms and Conditions of Sale for this product and in no case will TE Connectivity be liable for any incidental, indirect or consequential damages arising out of the sale, resale, use or misuse of the product. Users of TE Connectivity products should make their own evaluation to determine the suitability of each such product for the specific application.

© 2022 TE Connectivity All Rights Reserved.

2395100-1 03/22

### 369 SERIES SEALED PANEL MOUNT CONNECTOR

TE Connectivity  
Aerospace, Defense & Marine  
2900 Fulling Mill Road  
Middletown, PA 17057