

# TRD13D10WLLR2504 ✓ ACTIVE

Alcoswitch | Alcoswitch TRD

TE Internal #: 1825426-2

Rocker Switches, Power, Panel Cutout Size .445 x .475 in [11.3 x 12.06 mm], Silver, Alcoswitch TRD

[View on TE.com >](#)



Relays, Contactors & Switches > Switches > Rocker Switches



Switch Type: **Power**

Indicator/Imprint Legend: **None**

Panel Cutout Size: **11.3 x 12.06 mm [ .445 x .475 in ]**

Switch Contact Plating Material: **Silver**

Lamp: **Without**

## Features

### Product Type Features

Switch Connection Type	Wire Lugs
Switch Type	Power
Lamp	Without
Actuator Type	Top
Actuator Style	Rocker

### Configuration Features

Status Indicator Type	LED
Indicator/Imprint Legend	None
Panel Cutout Size	11.3 x 12.06 mm[.445 x .475 in]
Configuration (Pole-Throw)	Single Pole - Double Throw
Operating Function	On None On

### Electrical Characteristics

Operating Voltage Range	28 VDC
-------------------------	--------

### Body Features

--	--



LED Color	Red/Green (Bi-Color)
Product Orientation	Vertical
Actuator Color	Black

### Contact Features

Switch Contact Plating Material	Silver
Contact Current Rating	3 A

### Housing Features

Process Sealed	No
----------------	----

## Product Compliance

[For compliance documentation, visit the product page on TE.com>](#)

EU RoHS Directive 2011/65/EU	Not Yet Reviewed
EU ELV Directive 2000/53/EC	Compliant with Exemptions
China RoHS 2 Directive MIIT Order No 32, 2016	Not reviewed for China RoHS compliance
EU REACH Regulation (EC) No. 1907/2006	Current ECHA Candidate List: JUNE 2023 (235) Candidate List Declared Against: JUL 2019 (201) Does not contain REACH SVHC
Halogen Content	Not Yet Reviewed for halogen content
Solder Process Capability	Hand solderable with lead free solder

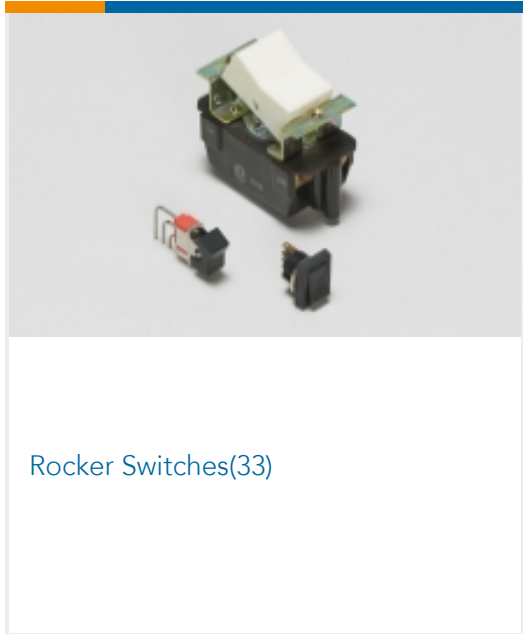
#### Product Compliance Disclaimer

This information is provided based on reasonable inquiry of our suppliers and represents our current actual knowledge based on the information they provided. This information is subject to change. The part numbers that TE has identified as EU RoHS compliant have a maximum concentration of 0.1% by weight in homogenous materials for lead, hexavalent chromium, mercury, PBB, PBDE, DBP, BBP, DEHP, DIBP, and 0.01% for cadmium, or qualify for an exemption to these limits as defined in the Annexes of Directive 2011/65/EU (RoHS2). Finished electrical and electronic equipment products will be CE marked as required by Directive 2011/65/EU. Components may not be CE marked. Additionally, the part numbers that TE has identified as EU ELV compliant have a maximum concentration of 0.1% by weight in homogenous materials for lead, hexavalent chromium, and mercury, and 0.01% for cadmium, or qualify for an exemption to these limits as defined in the Annexes of Directive 2000/53/EC (ELV). Regarding the REACH Regulation, the information TE provides on SVHC in articles for this part number is based on the latest European Chemicals Agency (ECHA) 'Guidance on requirements for substances in articles' posted at this URL: <https://echa.europa.eu/guidance-documents/guidance-on-reach>

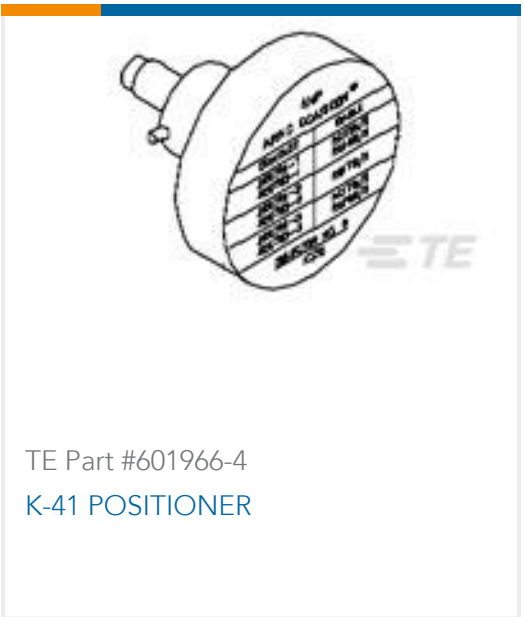
## Compatible Parts

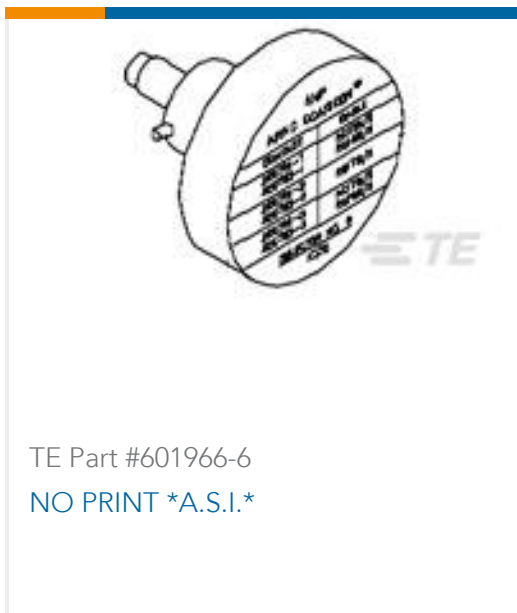


Also in the Series | Alcoswitch TRD



Customers Also Bought





## Documents

### Product Drawings

[TRD13D10WLLR2504 rocker switch](#)

English

### CAD Files

Customer View Model

[ENG\\_CVM\\_CVM\\_1825426-2\\_A.2d\\_dxf.zip](#)

English

[3D PDF](#)

3D

Customer View Model

[ENG\\_CVM\\_CVM\\_1825426-2\\_A.3d\\_igs.zip](#)

English

Customer View Model

[ENG\\_CVM\\_CVM\\_1825426-2\\_A.3d\\_stp.zip](#)

English

By downloading the CAD file I accept and agree to the [Terms and Conditions](#) of use.

### Datasheets & Catalog Pages

[SWITCHES\\_CORE\\_PROGRAM\\_CATALOG](#)

English