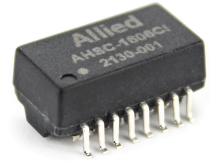


10/100 Base-T Single Port PoE Plus LAN Filter AHSC-1606CI

- Ethernet based LAN, WAN and other networking applications
- For PoE+ applications with 720mA current capability compliant to 802.3at
- DCR: 0.9Ω Max
- Operating Temp: -40°C to +85°C
- Reflow condition: Peak 260°C for 5 Sec



Electrical Specifications @ 25°C

OCL(μH Min) @ 100kHz, 0.2V With 8mA DC Bias	Turns Ratio (±5%)	Insertion Loss (dB Max)	Return Loss (dB Min)			
			0.1-100MHz	1.0-30MHz	40MHz	50MHz
350	1CT:1CT	-1.0	-18	-14.4	-13.1	-12

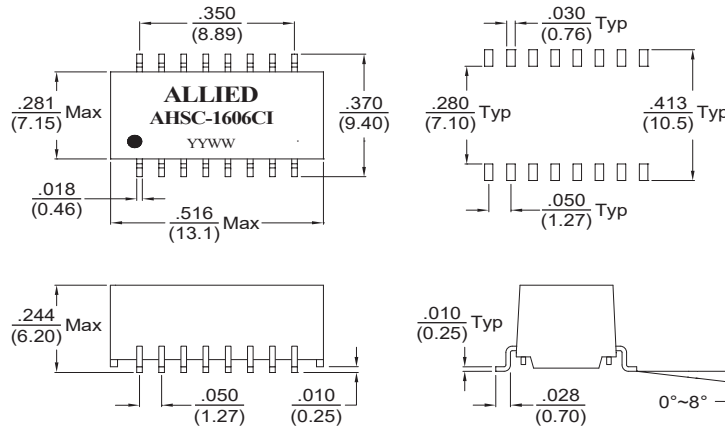
Electrical Specifications @ 25°C

Differential Common Mode Rejection (dB Min)			Cross Talk (dB Min)			Isolation HI-POT (Vrms)
30MHz	60MHz	100MHz	30MHz	60MHz	100MHz	
-40	-35	-30	-40	-35	-30	1500

All specifications subject to change without notice.

MECHANICAL

Dimensions: $\frac{\text{inch}}{\text{(mm)}}$



Unless otherwise specified, all tolerances are ±0.010(0.25)

SCHEMATICS

