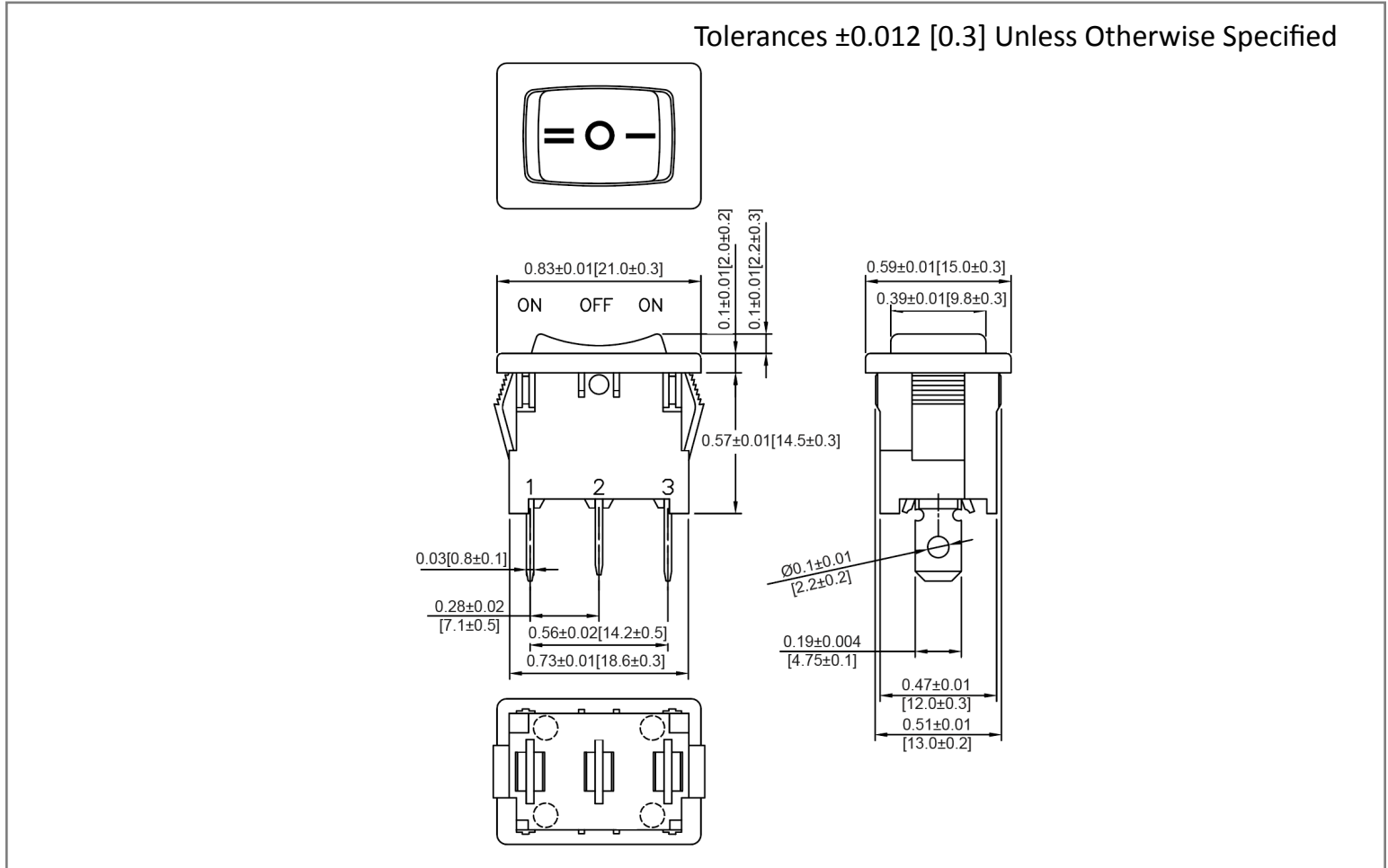
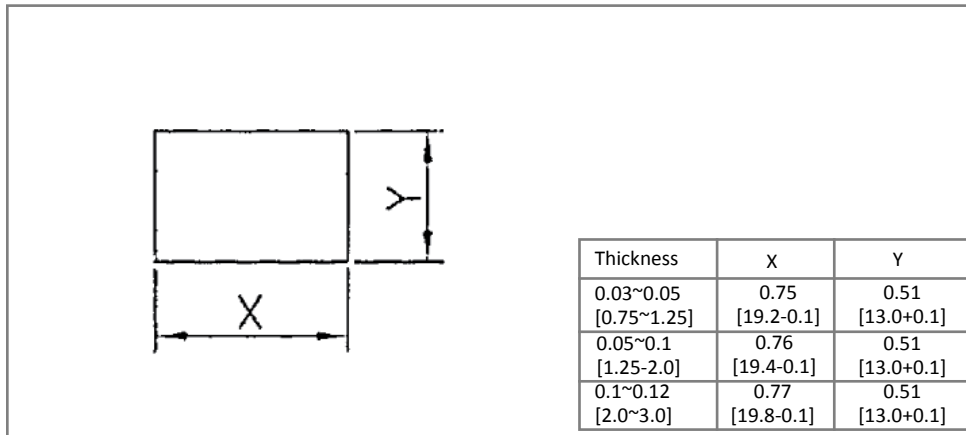


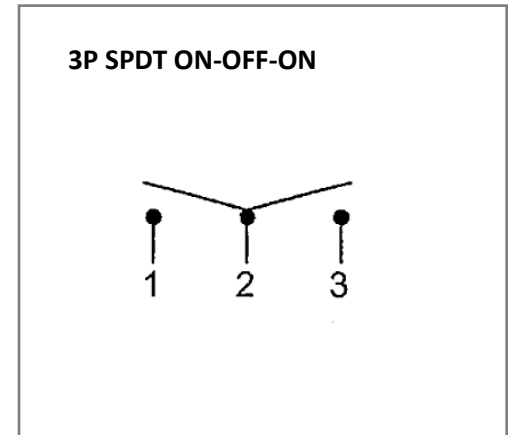
## Mechanical Dimensions: Inches [mm]



## Mounting Hole



## Circuit Diagram



## Electrical Specifications

<b>Rating</b>	16A 125V AC 1/3HP, 10A 250V AC 1/2HP 16(4)A 125/250V AC
<b>Contact Resistance</b>	50m ohm Max
<b>Insulation Resistance</b>	DC 500V 100M ohm Min
<b>Dielectric Strength</b>	AC 1500V 1 minute
<b>Operation Temperature</b>	-25°C~85°C

## Material Specifications

<b>Frame</b>	Black, Nylon 66
<b>Actuator</b>	Black, Nylon 66
<b>Terminal</b>	Copper Alloy , Silver plating
<b>Printed</b>	White, hot stamping

Rev	Date of issue	Revision Notes	Designed	Approved
B	12-01-2021	Initial Drawing	RC	OF