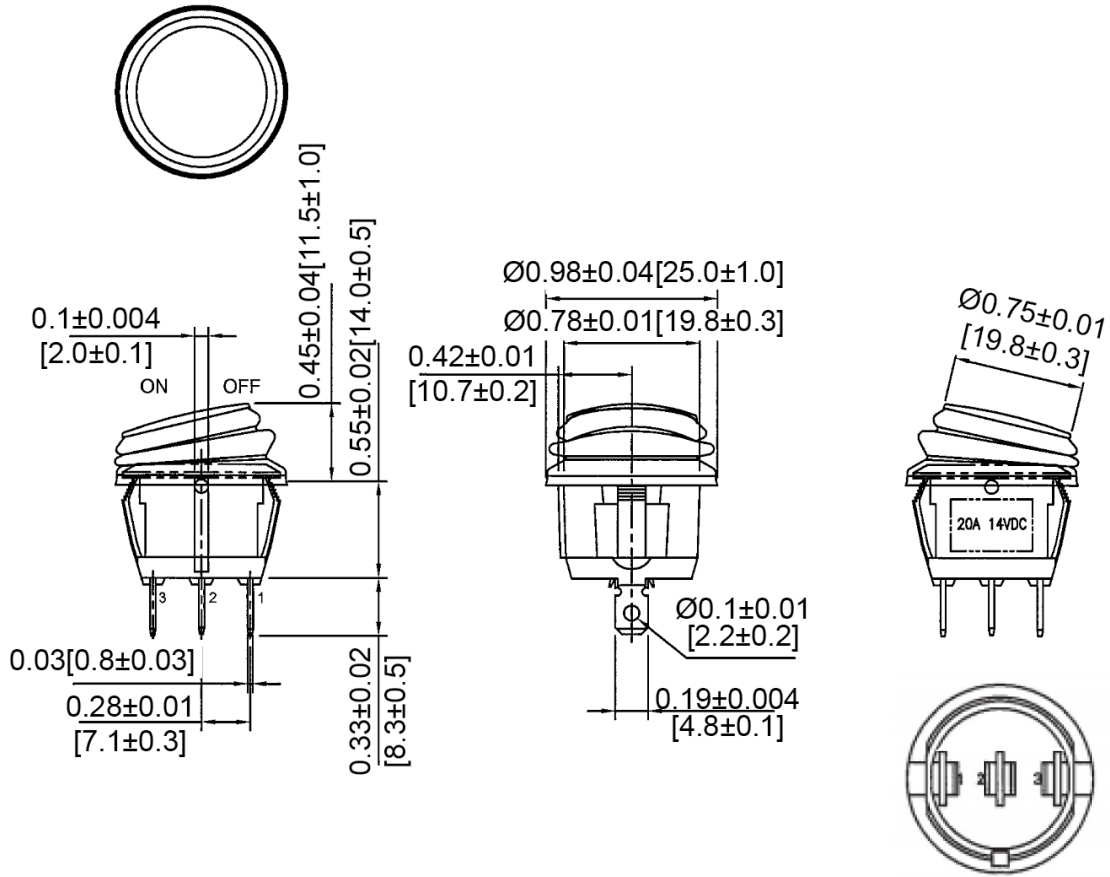
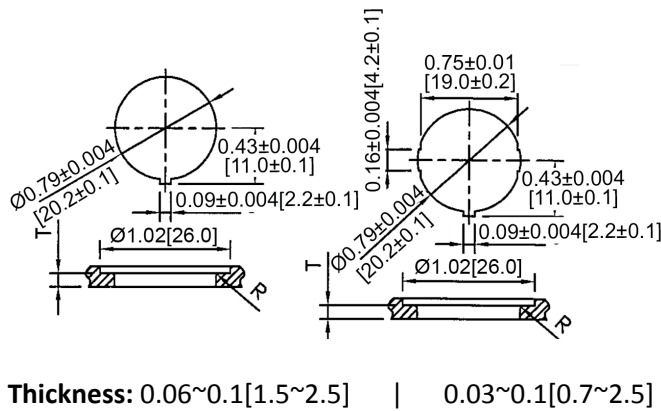


Mechanical Dimensions: Inches [mm]

Tolerances ± 0.012 [0.3] Unless Otherwise Specified

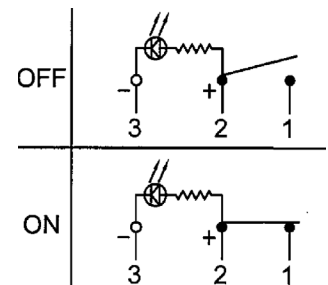


Mounting Hole



Circuit Diagram

3P SPST OFF-ON (LED-D)



Electrical Specifications

Rating	20A 14V DC	
Contact Resistance	50m ohm Max	
Insulation Resistance	DC 500V 100M ohm Min	
Dielectric Strength	AC 1500V 1 minute	
Operation Temperature	-20°C ~ 85°C	

Material Specifications

Frame	Black, Nylon 66 (94-V2)
Actuator	Amber Clear, PC (94-V2)
Ingress Protection	Black, Silicone IP65
Terminals	Silver plated, Copper Alloy
LED	Amber (Dependent)

Rev	Date of issue	Revision Notes	Designed	Approved
A	07-16-2021	Initial Drawing	RC	OF