

924CE SERIES

004786

Issue 2

MICRO SWITCH Miniature Safety Switches



DESCRIPTION

Honeywell's 924CE Series of miniature electromechanical safety switches are designed with a rugged metal housing. This Series features positive opening normally closed contacts (→) to EN/IEC 60947-5-1-3 specifications. Due to their small size and positive opening normally closed contact; the 924CE Series provides a safety solution for applications where the size of other products could be prohibitive on the machinery.

The 924CE Series offers a variety of configurations which include a wide range of actuators, circuits, and electrical terminations to solve many application issues. These miniature switches are environmentally sealed to IP66 for demanding environments on indoor or outdoor machinery. In addition, the 924CE Series has been evaluated for safety functions up to a safety integrity level (SIL) of SIL3 when evaluated to the requirements of IEC 61508-2:2010.

FEATURES

- Compact metal housing epoxy encapsulated with the common 25,4 mm [1.0 in] center-to-center mounting
- Positive opening operation of normally closed contacts (→) to EN/IEC 60947-5-1-3 specification
- Designed and agency evaluated for safety functions up to a SIL3 level
- Three different slow-action circuit options: 1NC/1NO BBM (break-before-make), 1NC/1NO MBB (make-before-break), and 1NC
- Wide range of actuator heads and levers
- Can be gang mounted for multiple-pole capability
- Certified for global applications; cULus, CE, UKCA
- Environmentally sealed to IP66
- Standard temperature operating range of 0 °C to 70 °C [32 °F to 158 °F]
- Optional low temp. operating range of -40 °C to 70 °C [-40 °F to 158 °F]

POTENTIAL APPLICATIONS

Industrial

- Machine tools (small doors and apertures)
- Material handling
- Packaging machinery
- Trailer/truck restraint systems (dok-loks)

Transportation

- Small construction machinery

VALUE TO CUSTOMERS

- Miniature rugged 924CE switches with common 25,4 mm [1.0 in] mounting footprint
- Switches easily gang mounted for multi-pole capability
- Low temp. option of -40 °C [-40 °F]
- Long life of up to 10 million mechanical operations
- Several electrical connection options: pre-cabled with different lengths; ac or dc Micro connectors with 4-pin or 5-pin options

DIFFERENTIATION

- Miniature metal body size of 40 mm L x 16 mm W x 49 mm H requires less space on machinery
- Positive opening normally closed (→) contacts with an optional normally open contact
- Designed and evaluated for safety functions up to a SIL3 level



PORTFOLIO

MICRO SWITCH 924CE Series miniature safety switches complement the 24CE Series of miniature safety limit switches. These Series of switches are a small segment of the total family of the Honeywell MICRO SWITCH electromechanical safety switches.

Honeywell

MICRO SWITCH MINIATURE SAFETY SWITCHES

924CE SERIES

TABLE 1. SPECIFICATIONS

Characteristic	Parameter
Description	miniature safety electromechanical switch
Certifications	CE, UKCA, cULus, SIRA, IEC/EN60947-5-1
Housing material	epoxy-coated die-cast zinc
Actuators	pin plunger (924CE1-) roller plunger parallel (924CE2-) roller plunger perpendicular (924CE3-) rotary (924CE16-) pin plunger with boot seal (924CE18-) adjustable plunger (924CE19-) roller plunger parallel, panel mount (924CE28-) roller plunger perpendicular, panel mount (924CE29-) roller plunger parallel with boot seal (924CE31-) roller plunger perpendicular with boot seal (924CE55-)
Termination (electrical connection)	3 core or 5 core SJTO cable, Integral dc Micro connector (4-pin or 5-pin), Integral ac Micro connector (5-pin)
Contact options	1NC/1NO BBM (break-before-make), 1NC/1NO MBB (make-before-break), 1NC (all normally closed contacts are positive opening)
Contact type	Slow action
Contact material	silver alloy
Utilization category	AC15, B300: DC13, R300
Rated operational voltage (Ue)	240 V ac or dc
Rated operational current	1.5 A, 0.1 A
Rated thermal current (Ith)	10 A
Rated insulation voltage (Ui)	250 V
Rated impulse withstand voltage (Uimp)	2500 V
Maximum fuse rating	10 A
Environmental sealing	IP66
Operating temperature	Standard: 0 °C to 70 °C [32 °F to 158 °F] Optional: -40 °C to 70 °C [-40 °F to 158 °F]
MCTF (Mechanical life)	>1,000,000 cycles
MCTF (Electrical life)	>25,000 cycles
SIL Capability	Up to SIL3 (HFT1), IEC61508-2:2010
Proof test interval	1 year

TABLE 2. ELECTRICAL RATINGS EN/IEC 60947-5-1

ac				dc			
B300	AC15			R300	DC13		
UE	IE	VA Rating		UE	IE	VA Rating	
(Volts)	(Amps)	Make	Break	(Volts)	(Amps)	Make	Break
120	3	3600	360	125	0.22	28	28
240	1.5	3600	360	250	0.1	28	28

cULus (E41859), CE, UKCA

Cable: 10 A, 250 Vac; 1/3 hp, 125/250 Vac

Connector: 4 A, 250 Va

MICRO SWITCH MINIATURE SAFETY SWITCHES

924CE SERIES

Figure 1. Product Nomenclature

924CE Switch Type	1 Head Type	S Contact Arrangement and Type	3 Cable Length*	1 Options**
924CE Miniature Safety Switch	1 Top pin plunger Ø 10 mm (sst)	S 1NC/1NO SPDT BBM slow action	3 3 feet of cable	A Side exit cable or connector
	2 Top roller plunger parallel, Ø12,7 x 4,7 wide (steel)	T 1NC/1NO SPDT MBB slow action	6 6 feet of cable	L Low temperature design, cable and switch
	3 Top roller plunger perpend., Ø12,7 x 4,7 wide (steel)	Y 1NC SPST slow action	9 9 feet of cable	L1 Low temperature design, switch only, cable not flexing
	16 Front rotary (less lever)		15 15 feet of cable	P Top mounting holes (2) with 8-32 thread
	18 Top pin plunger 10 mm (sst) with boot seal			Q 5-pin dc type single keyway
	19 Top adj. plunger 4 mm hex screw (sst)			Q1 5-pin ac type two keyways
	28 Top roller plunger parallel, Ø12,7 x 4,7 wide (steel), panel mount			YQ 4-pin dc type single keyway for contact option Y
	29 Top roller plunger perpend., Ø12,7 x 4,7 wide (steel), panel mount			
	31 Top roller plunger parallel, Ø12,7 x 4,7 wide (steel), boot seal			
	55 Top roller plunger perpend., Ø12,7 x 4,7 wide (steel), boot seal			

* For other cable lengths available, contact your Honeywell provider.
 ** More than one option may be permissible.

MICRO SWITCH MINIATURE SAFETY SWITCHES 924CE SERIES

GANG-MOUNT CAPABILITY

The 924CE Series housing has been designed to enable the user to build their own multiple plunger switch by gang mounting several switches. All pin plunger and roller plunger types are suitable for gang mounting. There is a 16 mm distance between the plungers. The Series is very versatile such that even a lever-type version could be added at the end of the row.

BOTTOM-EXIT OR SIDE-EXIT ORIENTATION

The 924CE Series has been designed with a pre-wired cable fitted in the bottom of the switch housing. Other variations are available with a side-exit cable.

CONNECTOR VERSIONS

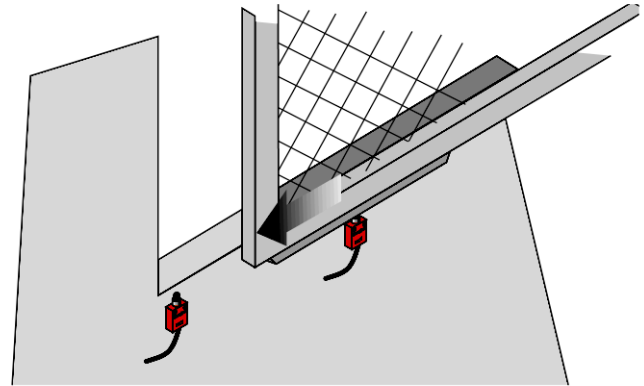
The 924CE Series is available with a Micro connector in a bottom-exit or side-exit version.

MOUNTING

MICRO SWITCH 924CE Series safety switches are mounted by using two M5 or #10 screws. The mounting holes are counter bored to keep the screw heads within the overall switch housing dimensions.

APPLICATION ILLUSTRATION

Two 924CE roller plunger switches to monitor gate position, closed or open.



CONTACT ARRANGEMENT AND DESCRIPTION


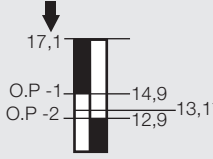
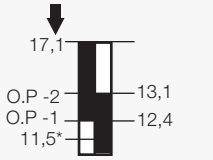



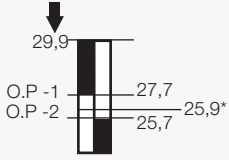

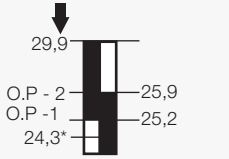

Circuit Type		Circuit Diagram	Cable/Connector
S	BBM		5 x 18 AWG SJTO (UL approved)
T	MBB		5 x 18 AWG SJTO (UL approved)
Y	SPNC		3 x 18 AWG SJTO (UL/CSA approved)
dc connector, 4-pin, M12 thread (Option -YQ)			
ac connector, 5-pin, 0.5 in x 20 UNF thread (Option -Q1)			
dc connector, 5-pin, M12 thread (Option -Q)			

MICRO SWITCH MINIATURE SAFETY SWITCHES

924CE SERIES

PRODUCT SPECIFICATIONS AND LISTINGS

Contact your Honeywell rep or distributor for additional listings


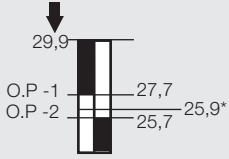
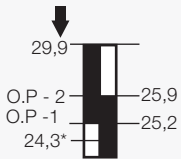
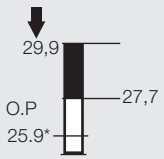


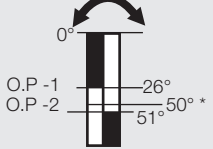
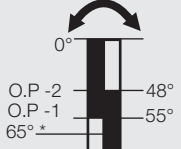

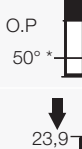

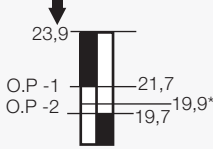
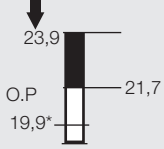
	Head Type	Catalog Listing**	Contact Arrangement [slow action]	Operating Force or Torque (max.)	Bar Chart ■ Contact Closed □ Contact Open mm or °	Options	Termination/Connection
	Top pin plunger, Ø 10 mm [sst]	924CE1-S3	1NC/1NO BBM	22,5 N [5.06 lb]		-	3 ft cable
		924CE1-S6				-	6 ft cable
		924CE1-S9				-	9 ft cable
		924CE1-T3	1NC/1NO MBB	22,5 N [5.06 lb]		-	3 ft cable
		924CE1-T9				-	9 ft cable
		924CE1-T3A				Side exit cable	3 ft cable
		924CE1-T6A	MBB	22,5 N [5.06 lb]		Side exit cable	6 ft cable
		924CE1-Y3	1NC	22,5 N [5.06 lb]		-	3 ft cable
		924CE1-Y9				-	9 ft cable
			Top roller plunger, parallel Ø12,7 x 4,7 mm wide [steel]	924CE2-S3	1NC/1NO BBM	22,5 N [5.06 lb]	
924CE2-S6	-			6 ft cable			
924CE2-S9	-			9 ft cable			
924CE2-S9A	1NC/1NO BBM			22,5 N [5.06 lb]		Side exit cable	9 ft cable
924CE2-T3	1NC/1NO MBB			22,5 N [5.06 lb]		-	3 ft cable
924CE2-T6						-	6 ft cable
924CE2-T9						-	9 ft cable
924CE2-Y3	1NC			22,5 N [5.06 lb]		-	3 ft cable
924CE2-Y9						-	9 ft cable

MICRO SWITCH MINIATURE SAFETY SWITCHES

924CE SERIES

PRODUCT SPECIFICATIONS AND LISTINGS

Contact your Honeywell rep or distributor for additional listings


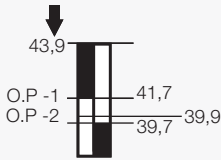

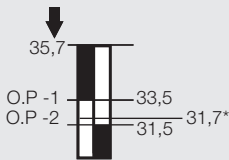
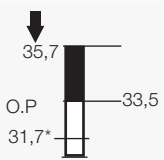

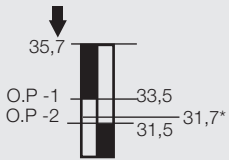

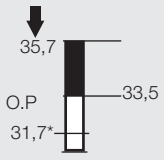
	Head Type	Catalog Listing**	Contact Arrangement [slow action]	Operating Force or Torque (max.)	Bar Chart ■ Contact Closed □ Contact Open mm or °	Options	Termination/Connection
 <p>Top roller plunger, perpendicular Ø12,7 x 4,7 mm wide [steel]</p>		924CE3-S3	1NC/1NO BBM	22,5 N [5.06 lb]		-	3 ft cable
		924CE3-S6				-	6 ft cable
		924CE3-S9				-	9 ft cable
		924CE3-T9	1NC/1NO MBB	22,5 N [5.06 lb]		-	9 ft cable
		924CE3-Y3	1NC	22,5 N [5.06 lb]	-	3 ft cable	
		924CE3-Y6		22,5 N [5.06 lb]	-	6 ft cable	
		924CE3-Y9A	1NC	22,5 N [5.06 lb]		Side exit cable	9 ft cable
	924CE3-Y9P	1NC	22,5 N [5.06 lb]		Top mounting holes (2) 8-32 thread	9 ft cable	
 <p>Front rotary [less lever] (see page 10 for lever selection)</p>		924CE16-S3	1NC/1NO BBM	0,30 Nm [2.66 in-lb]		-	3 ft cable
		924CE16-S9				-	9 ft cable
		924CE16-T3	1NC/1NO MBB	0,30 Nm [2.66 in-lb]		-	3 ft cable
		924CE16-Y3	1NC	0,30 Nm [2.66 in-lb]		-	3 ft cable
		924CE16-Y9				-	9 ft cable
 <p>Top pin plunger, Ø 7,1 mm [sst] with boot seal</p>		924CE18-S6	1NC/1NO BBM	22,5 N [5.06 lb]		-	6 ft cable
		924CE18-Y3AL	1NC	22,5 N [5.06 lb]		Side exit cable, low temp. switch & cable construction	3 ft cable

MICRO SWITCH MINIATURE SAFETY SWITCHES

924CE SERIES

PRODUCT SPECIFICATIONS AND LISTINGS

Contact your Honeywell rep or distributor for additional listings

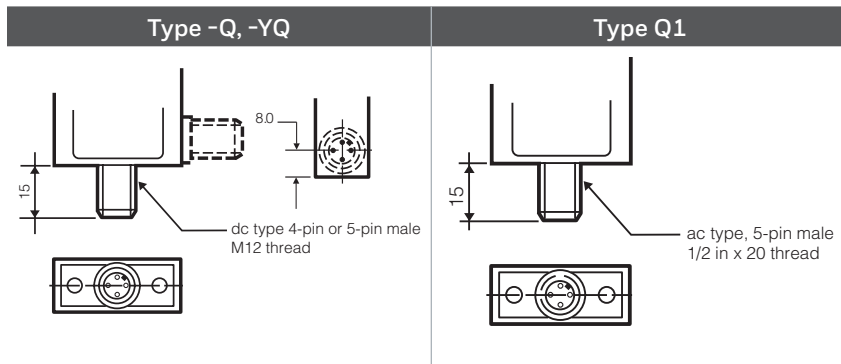
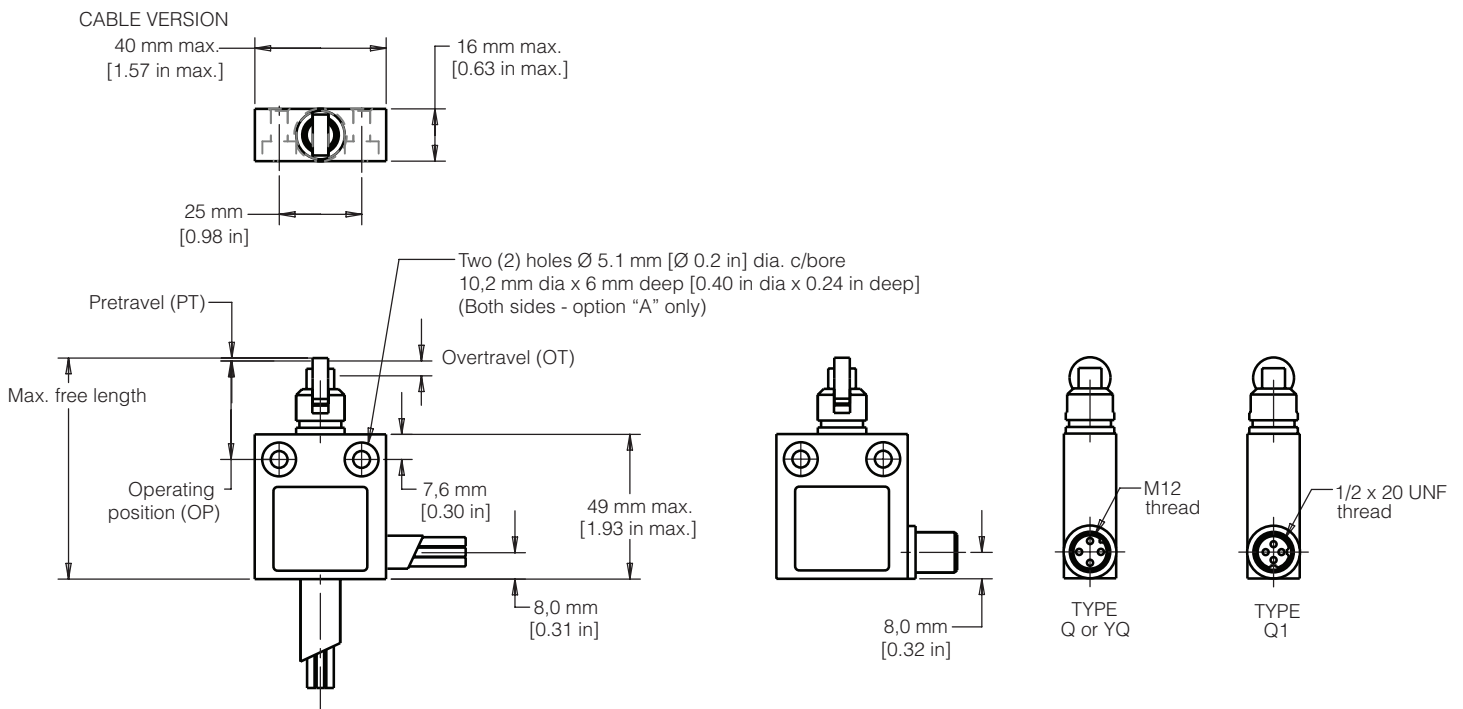
	Head Type	Catalog Listing**	Contact Arrangement [slow action]	Operating Force or Torque (max.)	Bar Chart ■ Contact Closed □ Contact Open mm or °	Options	Termination/Connection
	Top roller plunger, parallel Ø12,7 x 4,7 mm wide [steel], panel mount	924CE28-S3	1NC/1NO BBM	22,5 N [5.06 lb]		-	3 ft cable
	Top roller plunger, parallel Ø12,7 x 4,7 mm wide [steel], with boot seal	924CE31-S6	1NC/1NO BBM	25,5 N [5.73 lb]		-	6 ft cable
		924CE31-Y3L1	1NC	25,5 N [5.73 lb]		Low temp. switch construction	3 ft cable
	Top roller plunger, perpendicular Ø12,7 x 4,7 mm wide [steel], with boot seal	924CE55-SQ1	1NC/1NO BBM	25,5 N [5.73 lb]		Two keyways [5 pin]	Micro connector, ac type
		924CE55-SAQ1	1NC/1NO BBM	25,5 N [5.73 lb]		Side exit, two keyways [5 pin]	Micro connector, ac type
		924CE55-Y3A	1NC	25,5 N [5.73 lb]		Side exit cable	3 ft cable

MICRO SWITCH MINIATURE SAFETY SWITCHES

924CE SERIES

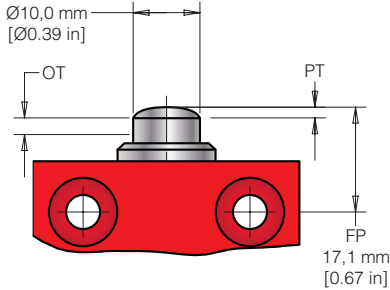
DIMENSIONAL DRAWINGS

Figure 2. 924CE General Dimensions



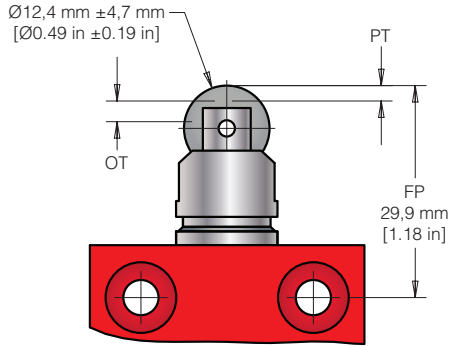
MICRO SWITCH MINIATURE SAFETY SWITCHES 924CE SERIES

Figure 3. 924CE1 Dimensions



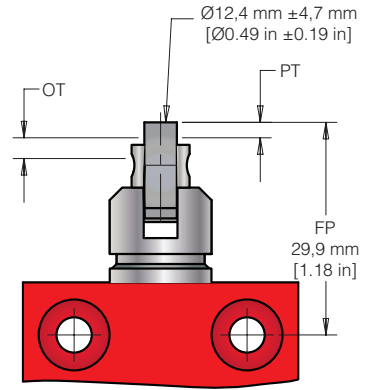
Pin Plunger Operating Characteristics	Operating Characteristics		
	S 1NC/1NO (BBM)	T 1NC/1NO (MBB)	Y 1NC
Free position (±0,4 [0.02])	17,1 [0.67]	17,1 [0.67]	17,1 [0.67]
Pretravel (max.)	2,2 [0.09]	4,0 [0.16]	2,2 [0.09]
Overtravel (min.)	1,0 [0.04]	0,5 [0.02]	-

Figure 4. 924CE2 Dimensions



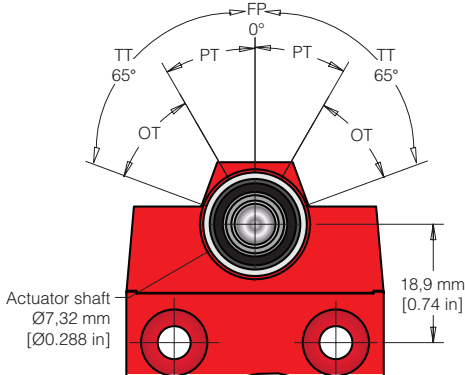
Roller Plunger Operating Characteristics	Operating Characteristics		
	S 1NC/1NO (BBM)	T 1NC/1NO (MBB)	Y 1NC
Free position (±0,4 [0.02])	29,9 [1.18]	29,9 [1.18]	29,9 [1.18]
Pretravel (max.)	2,2 [0.09]	4,0 [0.16]	2,2 [0.09]
Overtravel (min.)	1,0 [0.04]	0,5 [0.02]	-

Figure 5. 924CE3 Dimensions



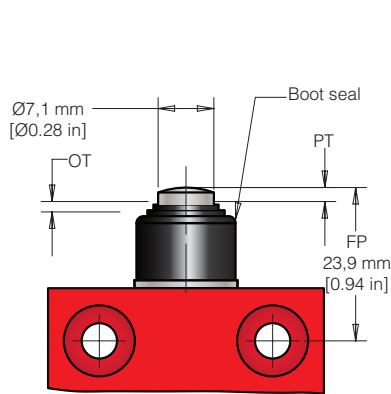
Roller Plunger Operating Characteristics	Operating Characteristics		
	S 1NC/1NO (BBM)	T 1NC/1NO (MBB)	Y 1NC
Free position (±0,4 [0.02])	29,9 [1.18]	29,9 [1.18]	29,9 [1.18]
Pretravel (max.)	2,2 [0.09]	4,0 [0.16]	2,2 [0.09]
Overtravel (min.)	1,0 [0.04]	0,5 [0.02]	-

Figure 6. 924CE16 Dimensions



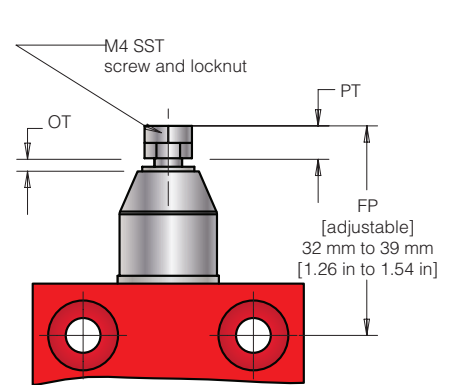
Side Rotary Operating Characteristics	Operating Characteristics		
	S 1NC/1NO (BBM)	T 1NC/1NO (MBB)	Y 1NC
Free position (degrees)	0	0	0
Pretravel (max. degrees)	26	48	26
Total travel (min. degrees)	65	65	65

Figure 7. 924CE18 Dimensions



Pin Plunger with Boot Seal Operating Characteristics	Operating Characteristics		
	S 1NC/1NO (BBM)	T 1NC/1NO (MBB)	Y 1NC
Free position (±0,4 [0.02])	23,9 [0.94]	23,9 [0.94]	23,9 [0.94]
Pretravel (max.)	2,2 [0.09]	4,0 [0.16]	2,2 [0.09]
Overtravel (min.)	1,0 [0.04]	0,5 [0.02]	-

Figure 8. 924CE19 Dimensions

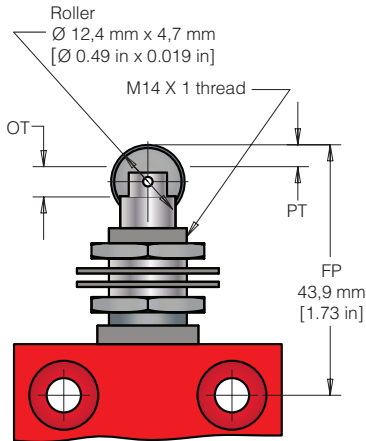


Top Adjust- able Plunger Operating Characteristics	Operating Characteristics		
	S 1NC/1NO (BBM)	T 1NC/1NO (MBB)	Y 1NC
Free position (adjustable)	32 to 39 [1.26 to 1.54]	32 to 39 [1.26 to 1.54]	32 to 39 [1.26 to 1.54]
Pretravel (max.)	2,2 [0.09]	4,0 [0.16]	2,2 [0.09]
Overtravel (min.)	1,0 [0.04]	0,5 [0.02]	-

MICRO SWITCH MINIATURE SAFETY SWITCHES

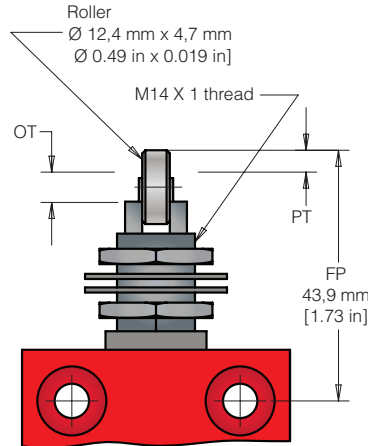
924CE SERIES

Figure 9. 924CE28 Dimensions



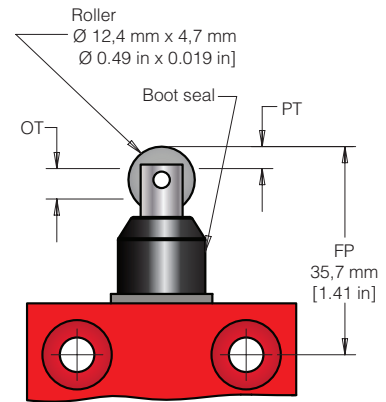
Top Roller Plunger with Panel Mount Operating Characteristics	S 1NC/1NO (BBM)	T 1NC/1NO (MBB)	Y 1NC
Free position (±0,4 [0.02])	43,9 [1.73]	43,9 [1.73]	43,9 [1.73]
Pretravel (max.)	2,2 [0.09]	4,0 [0.16]	2,2 [0.09]
Overtravel (min.)	1,0 [0.04]	0,5 [0.02]	-

Figure 10. 924CE29 Dimensions



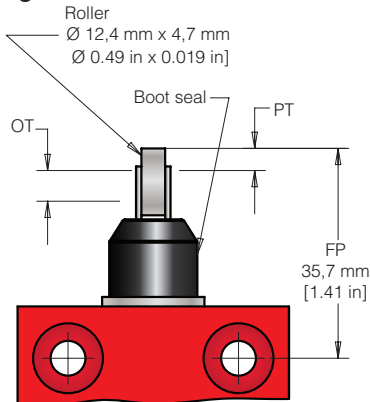
Top Roller Plunger with Panel Mount Operating Characteristics	S 1NC/1NO (BBM)	T 1NC/1NO (MBB)	Y 1NC
Free position (±0,4 [0.02])	43,9 [1.73]	43,9 [1.73]	43,9 [1.73]
Pretravel (max.)	2,2 [0.09]	4,0 [0.16]	2,2 [0.09]
Overtravel (min.)	1,0 [0.04]	0,5 [0.02]	-

Figure 11. 924CE31 Dimensions



Roller Plunger with Boot Seal Operating Characteristics	S 1NC/1NO (BBM)	T 1NC/1NO (MBB)	Y 1NC
Free position (±0,4 [0.02])	35,7 [1.41]	35,7 [1.41]	35,7 [1.41]
Pretravel (max.)	2,2 [0.09]	4,0 [0.16]	2,2 [0.09]
Overtravel (min.)	1,0 [0.04]	0,5 [0.02]	-

Figure 12. 924CE55 Dimensions



Roller Plunger with Boot Seal Operating Characteristics	S 1NC/1NO (BBM)	T 1NC/1NO (MBB)	Y 1NC
Free position (±0,4 [0.02])	35,7 [1.41]	35,7 [1.41]	35,7 [1.41]
Pretravel (max.)	2,2 [0.09]	4,0 [0.16]	2,2 [0.09]
Overtravel (min.)	1,0 [0.04]	0,5 [0.02]	-

TABLE 4. LEVERS FOR USE WITH 924CE FRONT ROTARY SWITCHES

	Catalog Listing	Rod/Roller Material	Rod/Roller Dia. mm [in]	Roller Width mm [in]
Fixed length lever; 38,1 mm [1.5 in] radius				
	GLZ51A	Nylon	19,0 [0.75]	6,35 [0.25]
	GLZ51B	Steel	19,0 [0.75]	6,35 [0.25]
	GLZ51C	Nylon	25,4 [1.00]	12,7 [0.50]
	GLZ51E	Bronze	19,0 [0.75]	6,35 [0.25]
	GLZ51T	SST	19,0 [0.75]	9,5 [0.38]
Fixed length offset lever; 38,1 mm [1.5 in] radius				
	GLZ55A	Nylon	19,0 [0.75]	6,35 [0.25]
	GLZ55B	Steel	19,0 [0.75]	6,35 [0.25]
	GLZ55E	Bronze	19,0 [0.75]	6,35 [0.25]

ADDITIONAL MATERIALS

The following associated literature is available on the Honeywell web site at sps.honeywell.com/ast:

- Product line guide
- Product range guide
- Installation instructions
- Certificates: SIL
- Certificates: Electrical endurance
- Certificates: Mechanical endurance
- Safety switch quick reference guide

WARRANTY/REMEDY

Honeywell warrants goods of its manufacture as being free of defective materials and faulty workmanship during the applicable warranty period. Honeywell's standard product warranty applies unless agreed to otherwise by Honeywell in writing; please refer to your order acknowledgment or consult your local sales office for specific warranty details. If warranted goods are returned to Honeywell during the period of coverage, Honeywell will repair or replace, at its option, without charge those items that Honeywell, in its sole discretion, finds defective. The foregoing is buyer's sole remedy and is in lieu of all other warranties, expressed or implied, including those of merchantability and fitness for a particular purpose. In no event shall Honeywell be liable for consequential, special, or indirect damages.

While Honeywell may provide application assistance personally, through our literature and the Honeywell web site, it is buyer's sole responsibility to determine the suitability of the product in the application.

Specifications may change without notice. The information we supply is believed to be accurate and reliable as of this writing. However, Honeywell assumes no responsibility for its use.

WARNING MISUSE OF DOCUMENTATION

- The information presented in this product sheet is for reference only. Do not use this document as a product installation guide.
- Complete installation, operation, and maintenance information is provided in the instructions supplied with each product.

Failure to comply with these instructions could result in death or serious injury.

FOR MORE INFORMATION

Honeywell Advanced Sensing Technologies services its customers through a worldwide network of sales offices and distributors. For application assistance, current specifications, pricing or the nearest Authorized Distributor, visit [our website](#) or call:

USA/Canada	+1 302 613 4491
Latin America	+1 305 805 8188
Europe	+44 1344 238258
Japan	+81 (0) 3-6730-7152
Singapore	+65 6355 2828
Greater China	+86 4006396841

Honeywell Advanced Sensing Technologies

830 East Arapaho Road
Richardson, TX 75081
sps.honeywell.com/ast