



DA(UL) SERIES

UL APPROVED*, NORMALLY OPEN, HIGH VOLTAGE RELAYS - 10KV, 7.5KV & 5KV



The DA(UL) series is a UL* approved very high isolation voltages (up to 10kV) are achieved through the use of high vacuum reed switches with either rhodium or tungsten contacts and make these relays suitable for high reliability applications, such as cardiac defibrillators, test equipment and high voltage power supplies.

A choice of 5kV, 7.5kV and 10kV isolation voltages is available.

The rhodium contact relays have low contact resistance, while the tungsten contact relays can switch higher voltages.

PCB or panel mount, via nylon studs, versions are available.

Connection options, for the HV, include PCB, solder turret (wire wrap), flying lead and 0.25" spade terminals.

Features

- Choice of 10kV, 7.5kV or 5kV Isolation
- Low contact resistance
- PCB or panel mount
- HV connections via flying leads, solder turret (wire wrap), or 1/4" spade terminals
- Excellent AC characteristics



SPECIFICATIONS

Contact	Units	Condition	10kV		7.5kV		5kV	
Contact Form			N/O (normally open)					
Contact Material			Rhodium	Tungsten	Rhodium	Tungsten	Rhodium	Tungsten
Isolation Across Contacts	kV	DC or AC peak	10	10	7.5	7.5	5	5
Switching Power Max	W		50	50	50	50	50	50
Switching Voltage Max.	V	DC or AC peak	1000	7000	1000	5000	1000	3500
Switching Current Max.	A	DC or AC peak	3	2	3	2	3	2
Carry Current Max	A	DC or AC peak	4	3	4	3	4	3
Capacitance Across Contacts	pF	coil to screen grounded	<0.2	<0.2	<0.2	<0.2	<0.2	<0.2
Lifetime Operations		dry switching	10 ⁹	10 ⁹	10 ⁹	10 ⁹	10 ⁹	10 ⁹
		50W switching	10 ⁶	10 ⁶	10 ⁶	10 ⁶	10 ⁶	10 ⁶
Contact Resistance	mΩ max (typical)		50 (15)	250 (100)	50 (15)	250 (100)	50 (15)	250 (100)
Insulation Resistance	Ω min (typical)		10 ¹⁰	(10 ¹³)	10 ¹⁰	(10 ¹³)	10 ¹⁰	(10 ¹³)

Coil	Units	Condition	5V	12V	24V
Must Operate Voltage	V	DC	3.7	9	20
Must Release Voltage	V	DC	0.5	1.25	4
Operate Time	ms	diode fitted	3.0	3.0	3.0
Release Time	ms	diode fitted	2.0	2.0	2.0
Resistance	Ω		28	150	780
Note. The operate / release voltage and coil resistance will change at a rate of 0.4% per degree C. Values are stated at room temperature (20 degrees C)					
Relay					
Isolation Contact/Coil	kV	DC or AC peak		17	
Insulation Resistance Contact to all Terminals	Ω min (typical)			10^{10} (10^{13})	
Environmental Conditions					
Operating Temperature Range	$^{\circ}\text{C}$			-20 to +70	

***Consult factory for UL ratings**

These products have been UL approved for use as per pollution degree 2 classification. If you require further information as to how this may affect product usage, please contact c3w_sales@sensata.com.

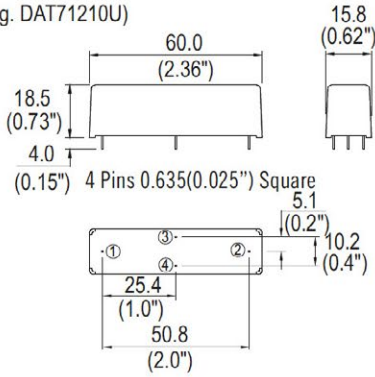


DIMENSIONS

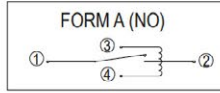
All dimensions are in millimeters.

STANDARD

(e.g. DAT71210U)



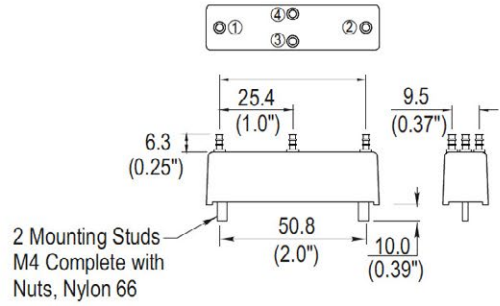
CIRCUIT DIAGRAMS (ALL VARIANTS)



NOTE: COIL POLARITY IS NOT SIGNIFICANT

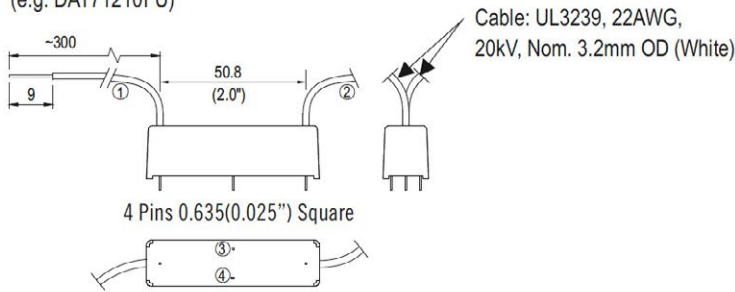
PANEL MOUNT

(e.g. DAT71210PU)



FLYING LEAD

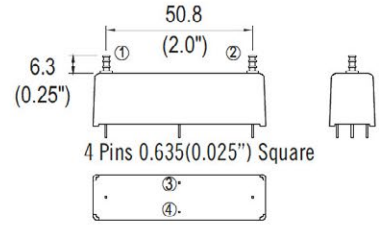
(e.g. DAT71210FU)



NOTE: PINS WHICH ARE NOT NUMBERED HAVE NO ELECTRICAL CONNECTION.

TURRET (Wire Wrap)

(e.g. DAT71210TU)

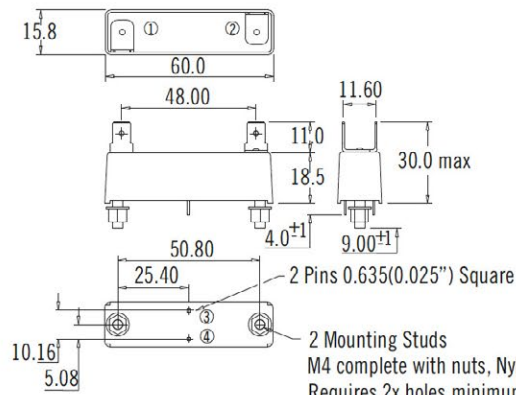


NOTE: PINS WHICH ARE NOT NUMBERED HAVE NO ELECTRICAL CONNECTION.

SPADE TYPE

(e.g. DAT71210SU)

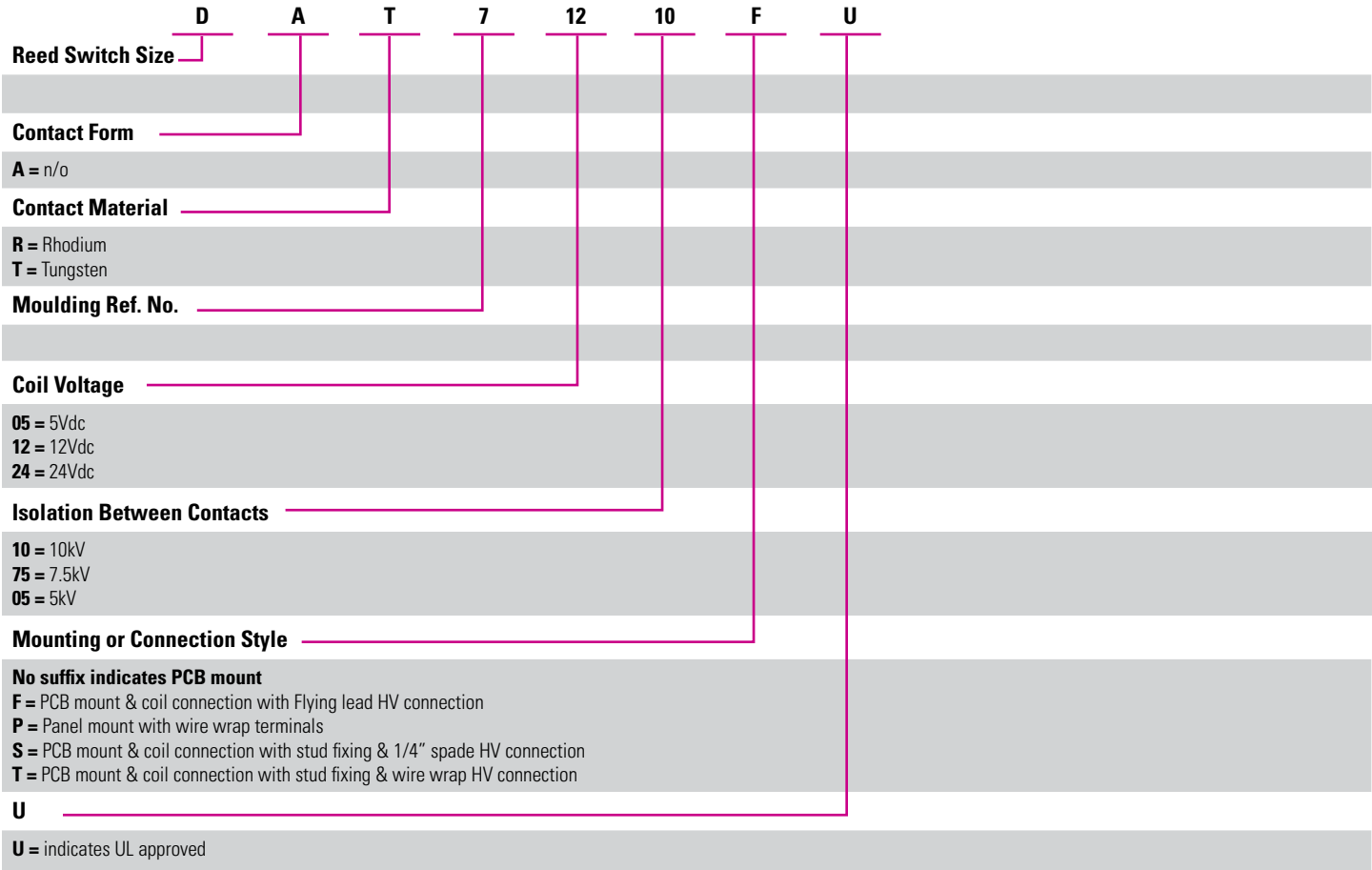
'S' Suffix denotes the 0.250" 'Push On' blade connectors, M4 fixing bolts and Epoxy potting.





ORDERING OPTIONS

Example : DAT71210FU



Made in the UK

Datasheets provided by Sensata Technologies, Inc., its subsidiaries and/or affiliates ("Sensata") are solely intended to assist third parties ("Buyers") who are developing systems that incorporate Sensata products (also referred to herein as "components"). Buyer understands and agrees that Buyer remains responsible for using its independent analysis, valuation, and judgment in designing Buyer's systems and products. Sensata datasheets have been created using standard laboratory conditions and engineering practices. Sensata has not conducted any testing other than that specifically described in the published documentation for a particular datasheet. Sensata may make corrections, enhancements, improvements, and other changes to its datasheets or components without notice.

Buyers are authorized to use Sensata datasheets with the Sensata component(s) identified in each particular datasheet. HOWEVER, NO OTHER LICENSE, EXPRESS OR IMPLIED, BY ESTOPPEL OR OTHERWISE TO ANY OTHER SENSATA INTELLECTUAL PROPERTY RIGHT, AND NO LICENSE TO ANY THIRD PARTY TECHNOLOGY OR INTELLECTUAL PROPERTY RIGHT, IS GRANTED HEREIN. SENSATA DATASHEETS ARE PROVIDED "AS IS". SENSATA MAKES NO WARRANTIES OR REPRESENTATIONS WITH REGARD TO THE DATASHEETS OR USE OF THE DATASHEETS, EXPRESS, IMPLIED, OR STATUTORY, INCLUDING ACCURACY OR COMPLETENESS. SENSATA DISCLAIMS ANY WARRANTY OF TITLE AND ANY IMPLIED WARRANTIES OF MERCHANTABILITY, FITNESS FOR A PARTICULAR PURPOSE, QUIET ENJOYMENT, QUIET POSSESSION, AND NON-INFRINGEMENT OF ANY THIRD PARTY INTELLECTUAL PROPERTY RIGHTS WITH REGARD TO SENSATA DATASHEETS OR USE THEREOF.

All products are sold subject to Sensata's terms and conditions of sale supplied at www.sensata.com. SENSATA ASSUMES NO LIABILITY FOR APPLICATIONS ASSISTANCE OR THE DESIGN OF BUYERS' PRODUCTS. BUYER ACKNOWLEDGES AND AGREES THAT IT IS SOLELY RESPONSIBLE FOR COMPLIANCE WITH ALL LEGAL, REGULATORY, AND SAFETY-RELATED REQUIREMENTS CONCERNING ITS PRODUCTS, AND ANY USE OF SENSATA COMPONENTS IN ITS APPLICATIONS, NOTWITHSTANDING ANY APPLICATIONS-RELATED INFORMATION OR SUPPORT THAT MAY BE PROVIDED BY SENSATA.

Mailing Address: Sensata Technologies, Inc., 529 Pleasant Street, Attleboro, MA 02703, USA

CONTACT US

+44 (0)1202 897969
support@sensata.com
Sensata | Cynergy3
7 Cobham Road,
Ferndown Industrial Estate,
Wimborne, Dorset,
BH21 7PE, United Kingdom