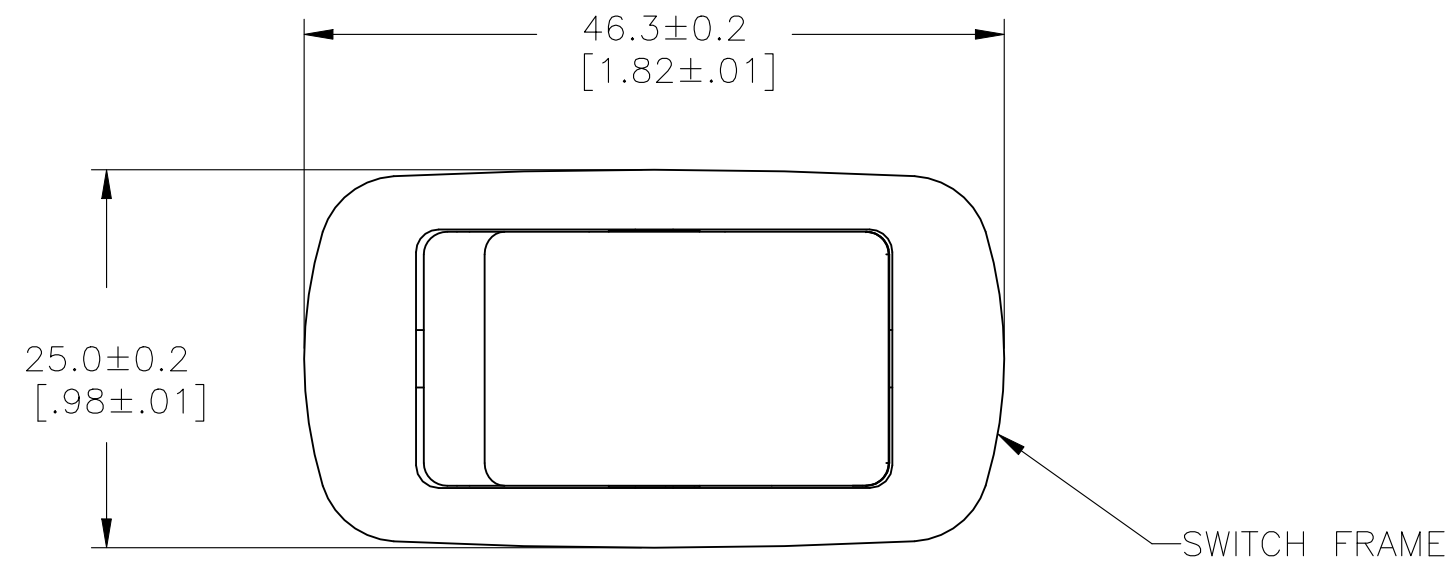
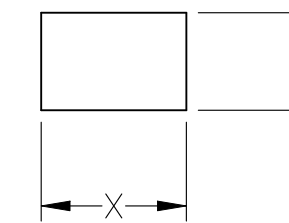


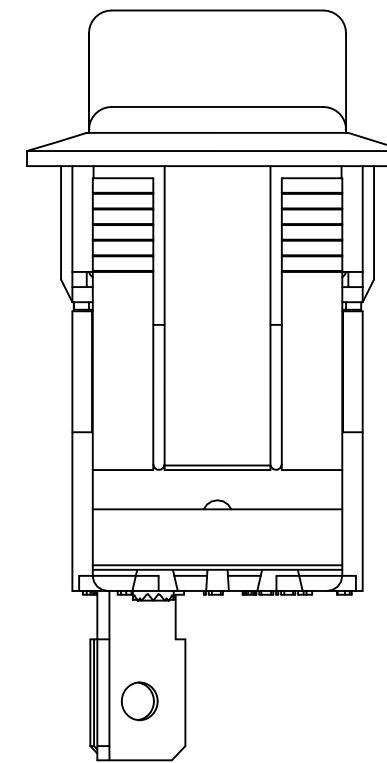
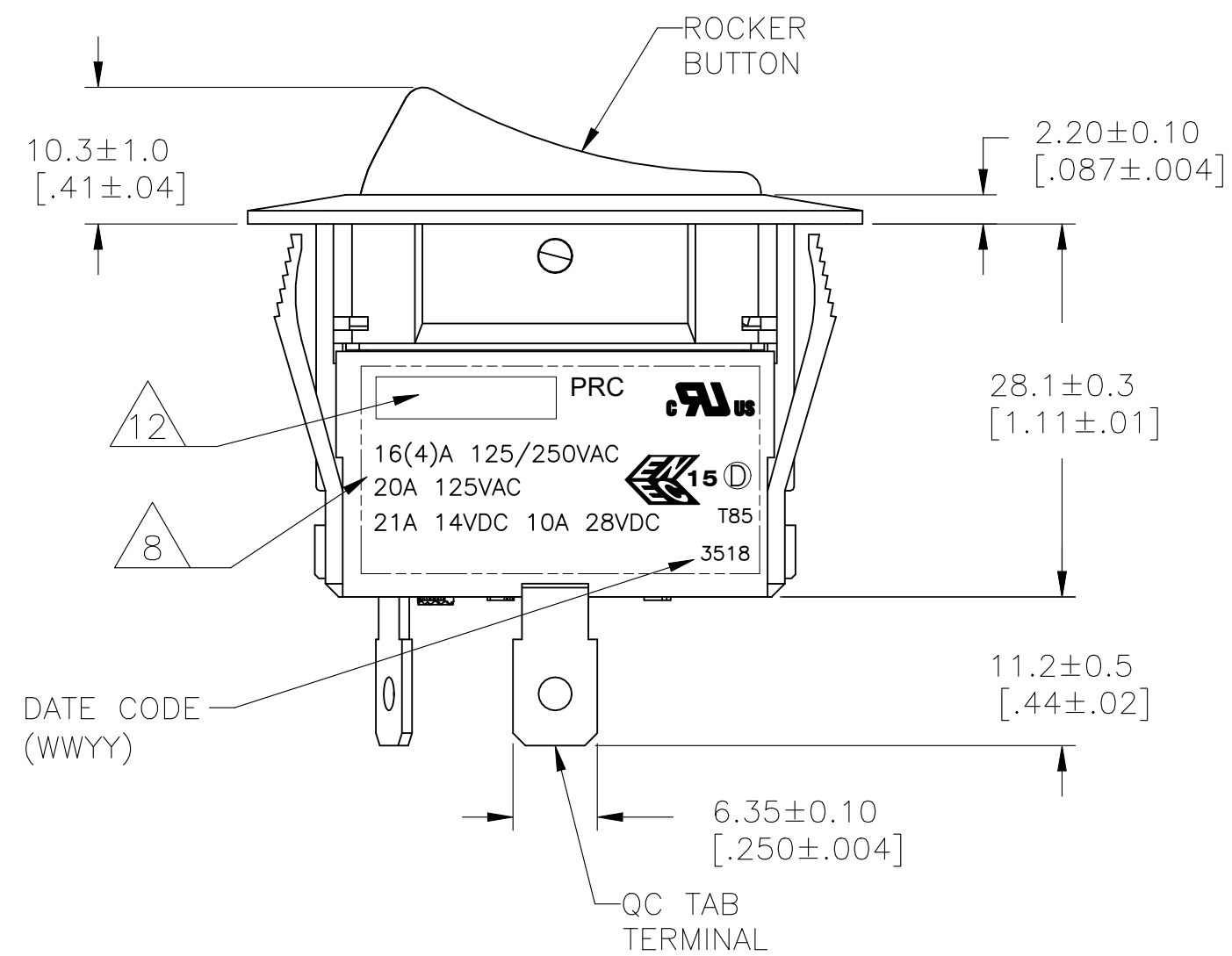
| REVISIONS | | | | | |
|-----------|-----|---------------------------|-----------|-----|------|
| P | LTR | DESCRIPTION | DATE | DWN | APVD |
| G | | REVISED PER ECR-23-186317 | 13NOV2023 | SA | DM |



PANEL CUT OUT

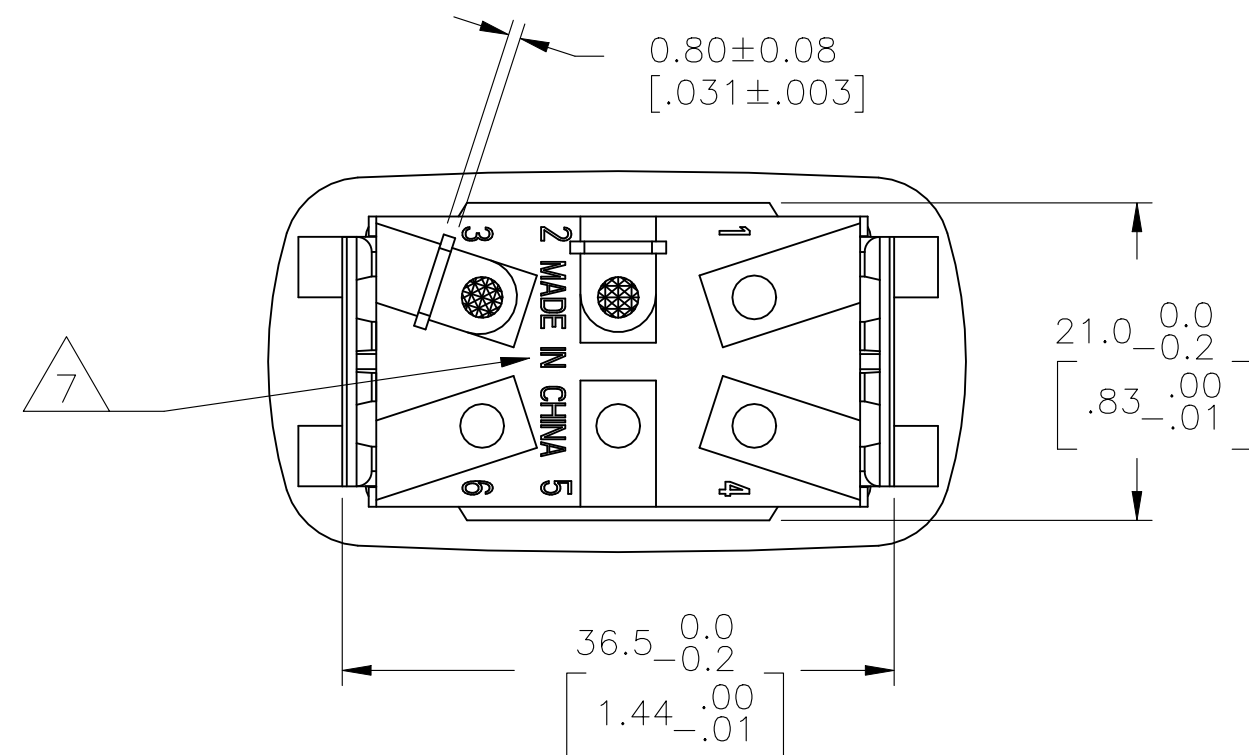
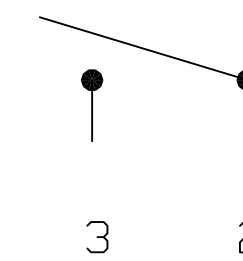


| | | |
|-----------------------|----------------------|-----------------------|
| 2.00-3.00 [.079-.118] | 21.2+0.1 [.835+.004] | 37.0+0.2 [1.457+.008] |
| 1.25-2.00 [.049-.079] | 21.2+0.1 [.835+.004] | 36.8+0.2 [1.449+.008] |
| .075-1.25 [.030-.049] | 21.2+0.1 [.835+.004] | 36.6+0.2 [1.441+.008] |
| PANEL THICKNESS | Y | X |



1571095-1
SHOWN

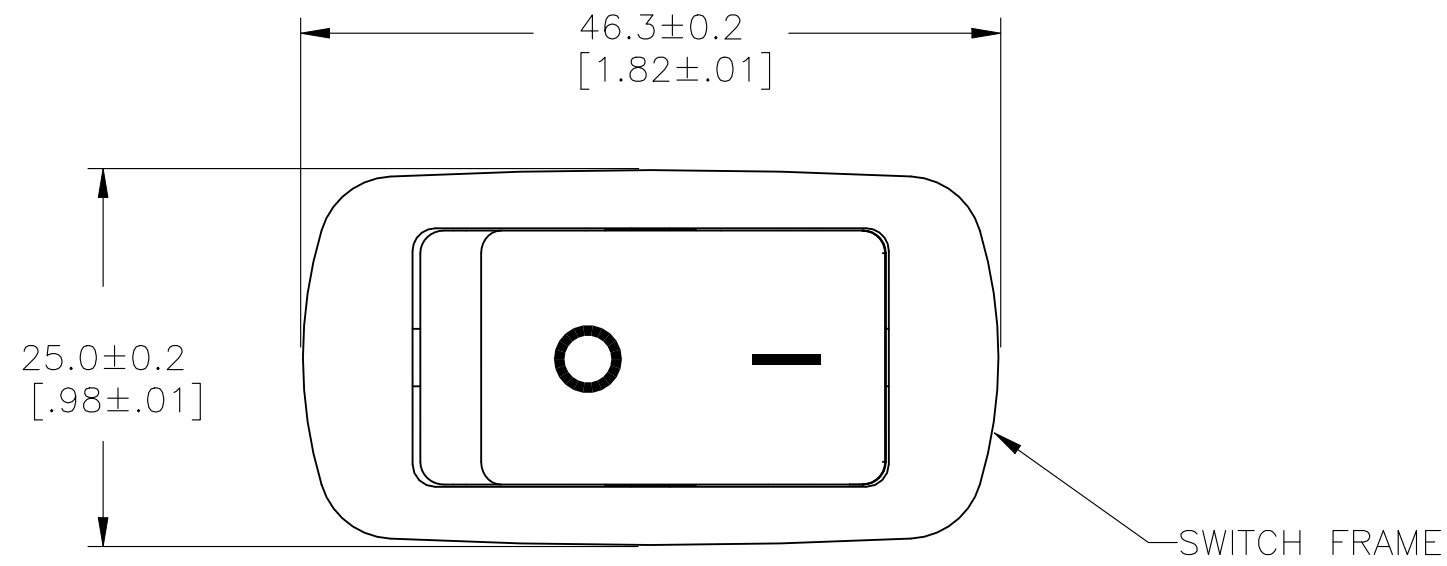
SWITCH FUNCTION A1
CIRCUIT DIAGRAM



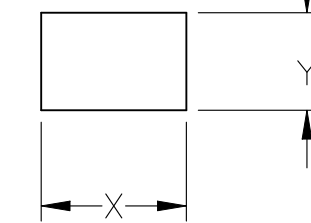
| | | | | |
|---|-------------|------------------------------|--|--------------------|
| THIS DRAWING IS A CONTROLLED DOCUMENT. | | DWN M.BINNER 25FEB2002 | | |
| DIMENSIONS: mm [INCHES] | | CHK D.ROHDE 16NOV05 | | |
| TOLERANCES UNLESS OTHERWISE SPECIFIED: | | APVD D.ROHDE 16NOV05 | NAME POWER ROCKER SWITCH, 21.2mm X 36.6mm MIN PANEL SIZE SPST, NON-ILLUMINATED | |
| 0 PLC ± - 1 PLC ± - 2 PLC ± - 3 PLC ± - 4 PLC ± - ANGLES ± - | | PRODUCT SPEC - | APPLICATION SPEC - | |
| MATERIAL 1 | FINISH 2 | WEIGHT | SIZE A2 | CAGE CODE 00779 |
| CUSTOMER DRAWING | | | DRAWING NO C=1571095 | RESTRICTED TO - |
| SCALE 2:1 | | | SHEET 1 of 4 | REV G |

REVISIONS

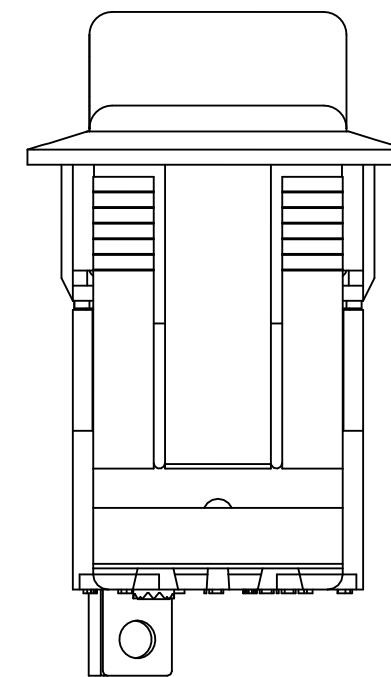
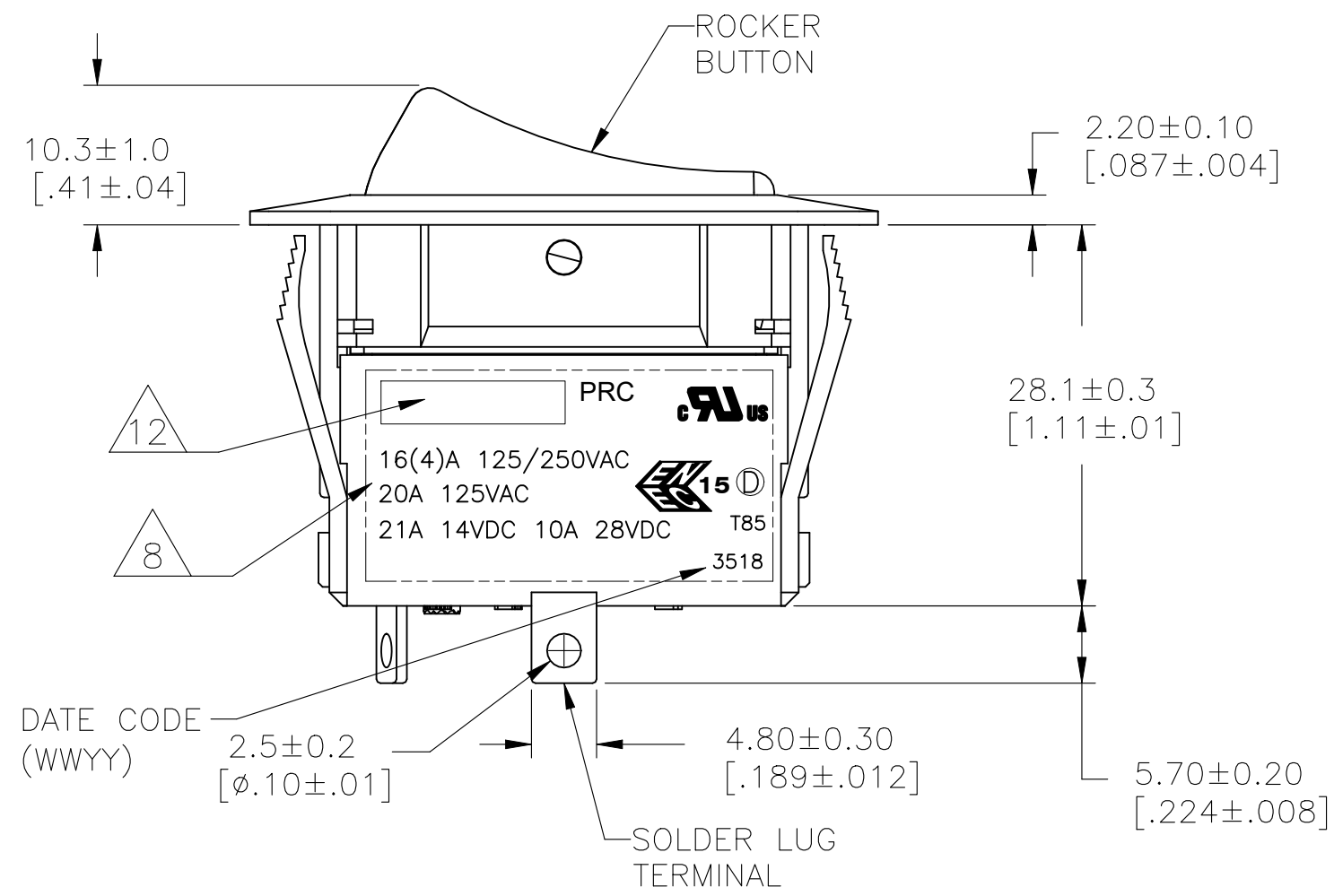
| P | LTR | DESCRIPTION | DATE | DWN | APVD |
|---|-----|-------------|------|-----|------|
| - | - | SEE SHEET 1 | - | - | - |



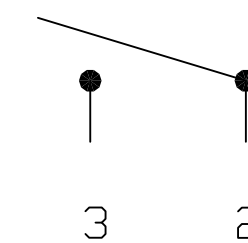
PANEL CUT OUT



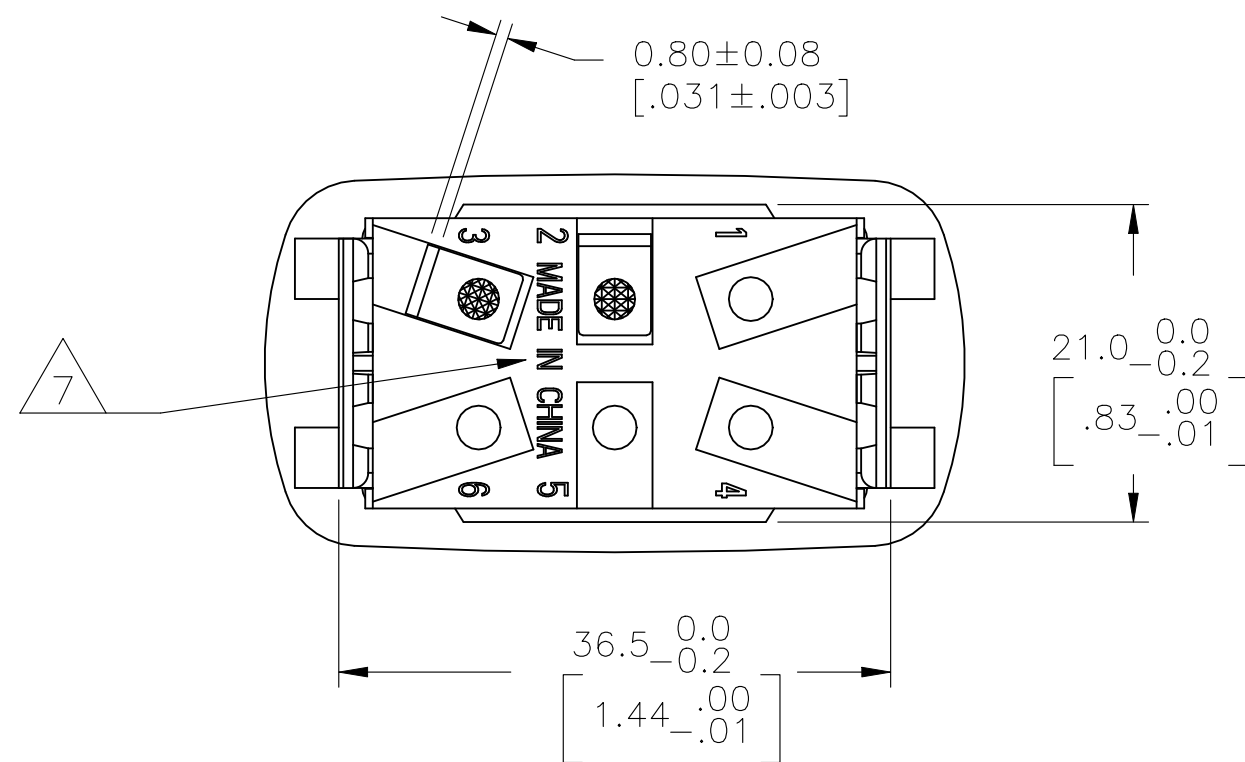
| | | |
|-----------------------|----------------------|-----------------------|
| 2.00-3.00 [.079-.118] | 21.2+0.1 [.835+.004] | 37.0+0.2 [1.457+.008] |
| 1.25-2.00 [.049-.079] | 21.2+0.1 [.835+.004] | 36.8+0.2 [1.449+.008] |
| .075-1.25 [.030-.049] | 21.2+0.1 [.835+.004] | 36.6+0.2 [1.441+.008] |
| PANEL THICKNESS | Y | X |



SWITCH FUNCTION A1
CIRCUIT DIAGRAM



1571095-5
SHOWN



THIS DRAWING IS A CONTROLLED DOCUMENT.

| | | |
|------------------|----------|-----------|
| DWN | M.BINNER | 25FEB2002 |
| CHK | D.ROHDE | 16NOV05 |
| APVD | D.ROHDE | 16NOV05 |
| PRODUCT SPEC | - | |
| APPLICATION SPEC | - | |
| WEIGHT | - | |

TE Connectivity

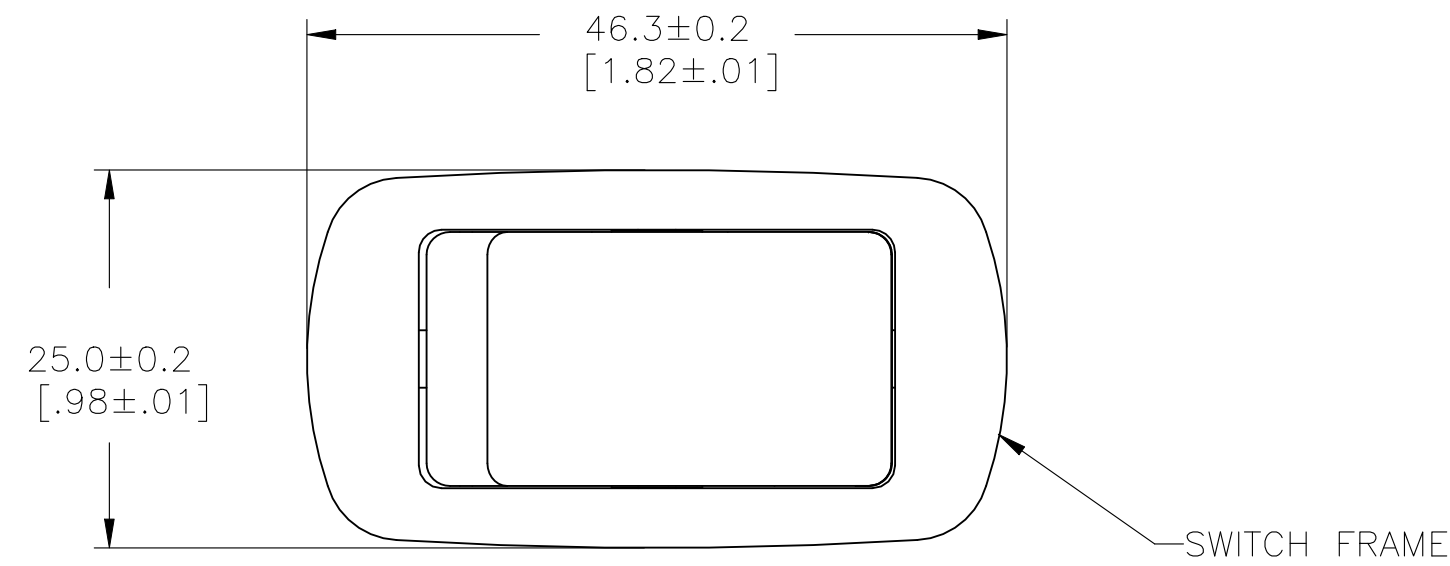
POWER ROCKER SWITCH, 21.2mm X 36.6mm MIN
PANEL SIZE SPST, NON-ILLUMINATED

| | | | |
|------|-----------|------------|---------------|
| SIZE | CAGE CODE | DRAWING NO | RESTRICTED TO |
| A2 | 00779 | C=1571095 | - |

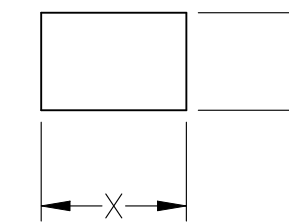
CUSTOMER DRAWING

SCALE 2:1 SHEET 2 OF 4 REV G

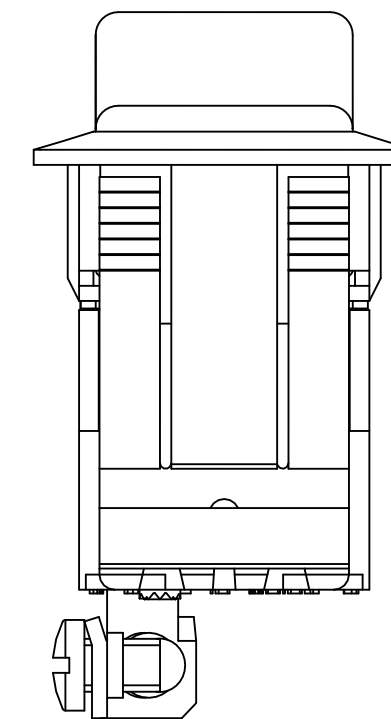
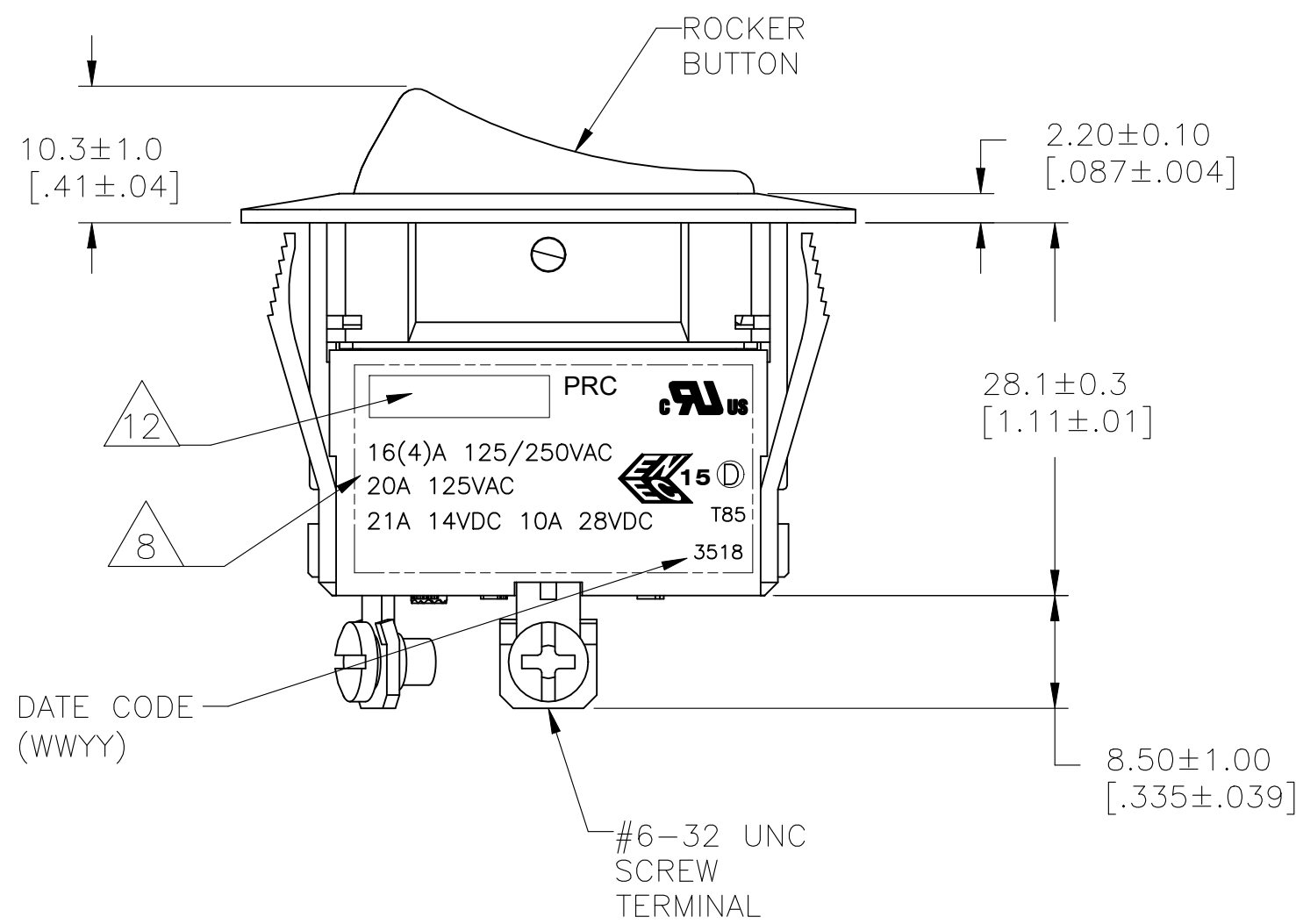
| REVISIONS | | | | | |
|-----------|-----|-------------|------|-----|------|
| P | LTR | DESCRIPTION | DATE | DWN | APVD |
| - | - | SEE SHEET 1 | - | - | - |



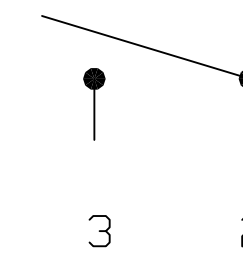
PANEL CUT OUT



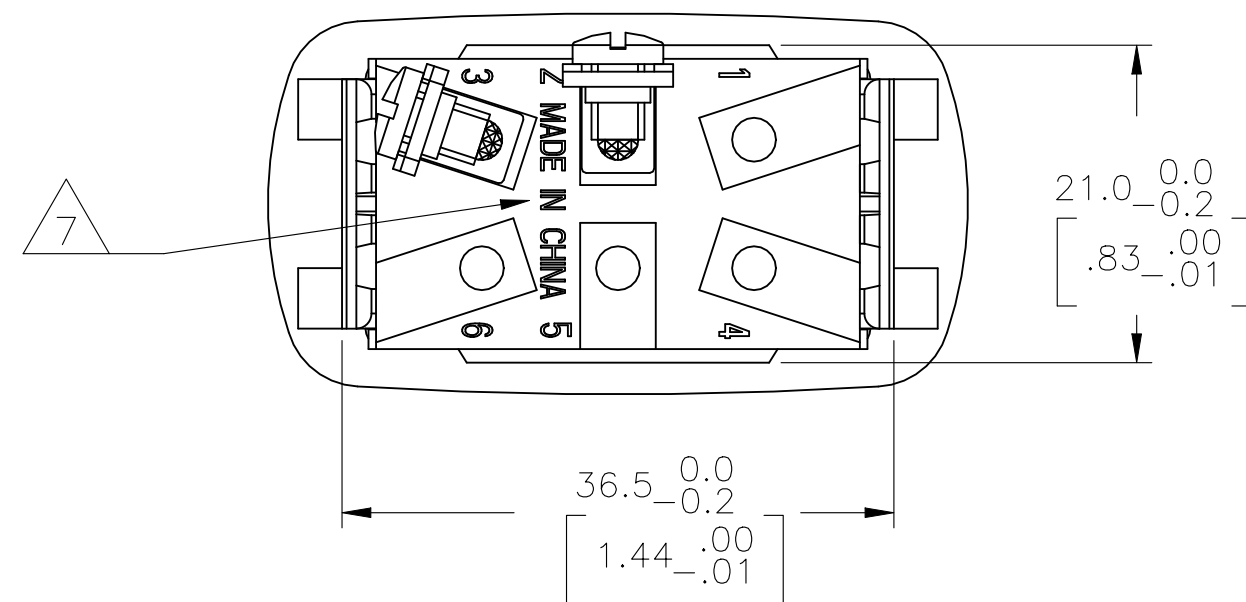
| | | |
|-----------------------|----------------------|-----------------------|
| 2.00-3.00 [.079-.118] | 21.2+0.1 [.835+.004] | 37.0+0.2 [1.457+.008] |
| 1.25-2.00 [.049-.079] | 21.2+0.1 [.835+.004] | 36.8+0.2 [1.449+.008] |
| .075-1.25 [.030-.049] | 21.2+0.1 [.835+.004] | 36.6+0.2 [1.441+.008] |
| PANEL THICKNESS | Y | X |



SWITCH FUNCTION A1
CIRCUIT DIAGRAM



OBSOLETE 1571095-9
SHOWN



| | | | | |
|--|--|------------------------------|--|--|
| THIS DRAWING IS A CONTROLLED DOCUMENT. | | DWN M.BINNER 25FEB2002 | | |
| DIMENSIONS: mm [INCHES] | | CHK D.ROHDE 16NOV05 | | |
| TOLERANCES UNLESS OTHERWISE SPECIFIED: | | APVD D.ROHDE 16NOV05 | NAME POWER ROCKER SWITCH, 21.2mm X 36.6mm MIN PANEL SIZE SPST, NON-ILLUMINATED | |
| 0 PLC ± - | | PRODUCT SPEC | SIZE A2 | |
| 1 PLC ± - | | APPLICATION SPEC | CAGE CODE 00779 | |
| 2 PLC ± - | | WEIGHT | DRAWING NO C=1571095 | |
| 3 PLC ± - | | FINISH | RESTRICTED TO | |
| 4 PLC ± - | | SCALE 2:1 | SHEET 3 of 4 | |
| ANGLES ± - | | CUSTOMER DRAWING | REV G | |
| MATERIAL | | | | |

| REVISIONS | | | | |
|-----------|-----|-------------|------|------|
| P | LTR | DESCRIPTION | DATE | APVD |
| - | - | SEE SHEET 1 | - | - |

1 MATERIALS:
 ROCKER BUTTON, FRAME & HOUSING: NYLON 66, UL 94 V-2.
 PLUNGER: PHENOLIC
 SEAL: SILICONE RUBBER
 SCREW TERMINAL, ACTIVE CONTACTOR, CONTACTOR SUPPORT: COPPER ALLOY PER ASTM B152
 QC & SOLDER TERMINAL: COPPER ALLOY PER ASTM B036
 SPRING: STEEL WIRE
 CONTACTS: SILVER-TIN OXIDE

2 FINISH:
 CONTACTOR SUPPORT, ACTIVE CONTACTOR: 1.01µm [.000040] MIN SILVER
 QC TERMINAL: 1.27µm [.000050] MIN NICKEL
 SOLDER TERMINAL: 1.27µm [.000050] MIN TIN

3. ELECTRICAL SPECIFICATIONS:
 CURRENT AND VOLTAGE: **6**
 CONTACT RESISTANCE (INITIAL): <50mΩ
 DIELECTRIC STRENGTH (INITIAL): >1000 VAC, 1 MINUTE
 INSULATION RESISTANCE (INITIAL): >100MΩ MIN (500VDC BETWEEN OPEN CONTACTS)
 ELECTRICAL LIFE ENDURANCE: >6000 OPERATIONS, VOLTAGE DROP: <100mV
 TEMPERATURE RISE AT TERMINALS: <30°C, 6000 OPERATIONS
 (AMBIENT CONDITIONS: 25±2°C AND 65±5%R.H)

4. MECHANICAL SPECIFICATIONS:
 ACTUATING FORCE: 400g MIN, 1200g MAX
 OPERATING LIFE ENDURANCE: >100,000 OPERATIONS
 TERMINAL RETENTION FORCE: >9kg- SOLDER LUG
 >9kg- QC TAB
 >6.8kg- #6-32 SCREW

5. ENVIRONMENTAL SPECIFICATIONS:
 AMBIENT TEMPERATURE: -20°C TO +85°C
 DEGREE OF PROTECTION: IP66

6 16(4)A 125/250VAC, 20A 125VAC, 21A 14VDC 10A 28VDC

7 COUNTRY OF ORIGIN AND TERMINAL IDENTIFICATION NUMBERS MOLDED APPROXIMATELY AS SHOWN ON THE SWITCH HOUSING.

8 ELECTRICAL RATINGS, APPROVED AGENCY LOGOS AND THE TE CONNECTIVITY LOGO LASER MARKED APPROXIMATELY AS SHOWN ON THE SWITCH HOUSING.

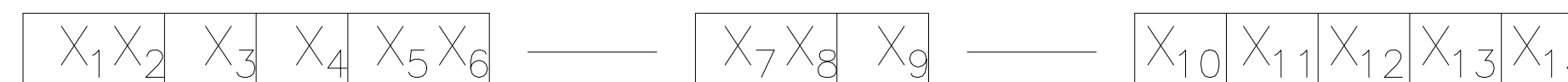
9. COMPONENT RECOGNIZED TO US & CANADIAN STANDARDS, UL FILE NO. E46765.

10. COMPONENT-RECOGNIZED TO EUROPEAN STANDARDS (ENEC & DEMKO) MARKS LICENSE NO ENEC-04154 & D-09456

11. ROHS 2002/95/EC COMPLIANT

12 TE CONNECTIVITY LOGO LOCATED APPROXIMATELY AS SHOWN

ALCOSWITCH PART NUMBER



SWITCH TYPE: X1X2 = PR - POWER ROCKER

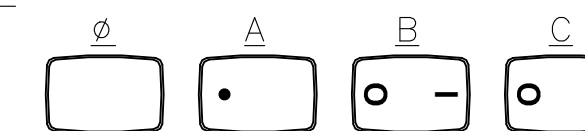
SECONDARY ROCKER COLOR: X12 = ∅ - NOT APPLICABLE

PANEL CUT OUT SIZE: X3 = C - 21.2x36.6 MIN [.835x1.441]

NUMBER OF POLES: X4 = S - SINGLE

SWITCH FUNCTION: X5X6 = A1-ON-OFF, WITH OPAQUE, SINGLE-COLOR ROCKER BUTTON.

LEGEND TEXT PATTERN: X13 =



CURRENT RATING: X7X8 = 20 - **6**

TERMINAL TYPE: X9 = E - QC TAB
L - SOLDER LUG
S - #6-32 UNC SCREW

FRAME COLOR: X10 = B - BLACK
W - WHITE

LEGEND TEXT COLOR: X14 = ∅ - NOT APPLICABLE
G - GREEN
R - RED
B - BLACK
W - WHITE

ROCKER COLOR: X11 = B - BLACK
G - GREEN
R - RED
W - WHITE
Y - YELLOW

| | SHEET REF | ALCOSWITCH PART NUMBER | PART NUMBER |
|----------|-----------|------------------------|-------------|
| OBSOLETE | 1 | PRCSA1-20F-BB000 | 1571095-1 |
| | 1 | PRCSA1-20F-BB0BW | 1571095-2 |
| | 1 | PRCSA1-20F-BB0CW | 1571095-3 |
| | 2 | PRCSA1-20L-BB000 | 1571095-4 |
| OBSOLETE | 2 | PRCSA1-20L-BB0BW | 1571095-5 |
| | 2 | PRCSA1-20L-BB0CW | 1571095-6 |
| | 1 | PRCSA1-20F-BR000 | 1571095-7 |
| | 2 | PRCSA1-20L-BR000 | 1571095-8 |
| | 3 | PRCSA1-20S-BB000 | 1571095-9 |
| | 3 | PRCSA1-20S-BB0BW | 1-1571095-0 |
| | 3 | PRCSA1-20S-BB0CW | 1-1571095-1 |

| | | | | |
|---|--|------------------------------|--|-------------------------|
| THIS DRAWING IS A CONTROLLED DOCUMENT. | | DWN M.BINNER 25FEB2002 | | |
| DIMENSIONS: mm [INCHES] | | CHK D.ROHDE 16NOV05 | | |
| TOLERANCES UNLESS OTHERWISE SPECIFIED: | | APVD D.ROHDE 16NOV05 | NAME POWER ROCKER SWITCH, 21.2mm X 36.6mm MIN PANEL SIZE SPST, NON-ILLUMINATED | |
| 0 PLC ± - 1 PLC ± - 2 PLC ± - 3 PLC ± - 4 PLC ± - ANGLES ± - | | PRODUCT SPEC - | SIZE A2 | |
| MATERIAL | | APPLICATION SPEC - | CAGE CODE 00779 | DRAWING NO C=1571095 |
| FINISH | | WEIGHT - | RESTRICTED TO - | |
| CUSTOMER DRAWING | | SCALE 2:1 SHEET 4 of 4 REV G | | |