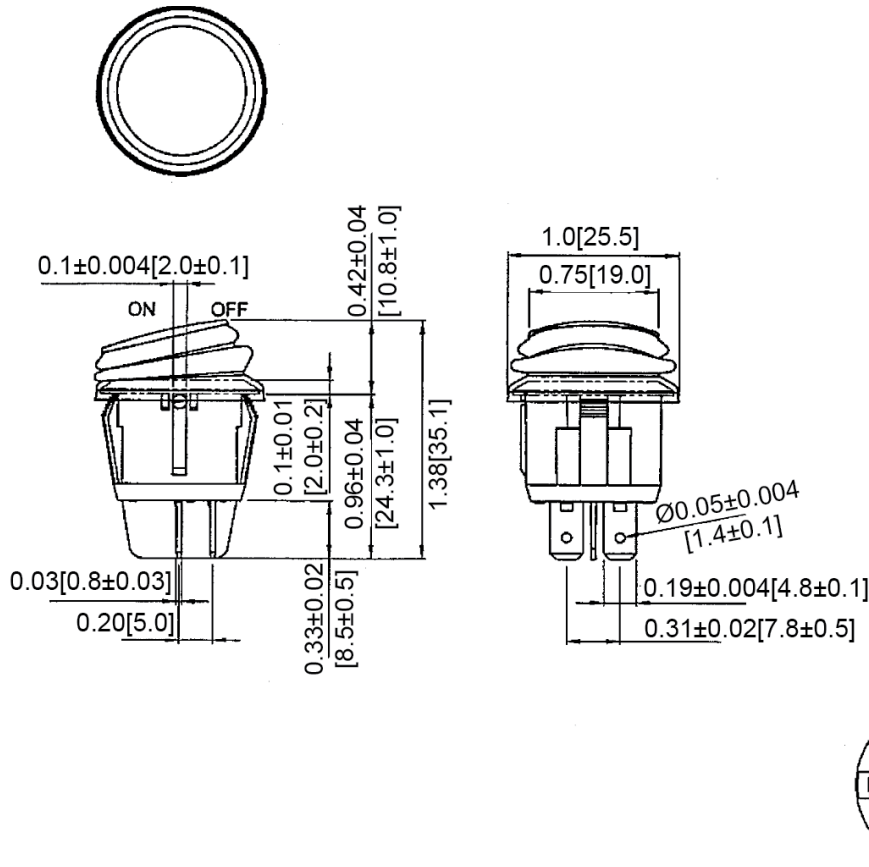
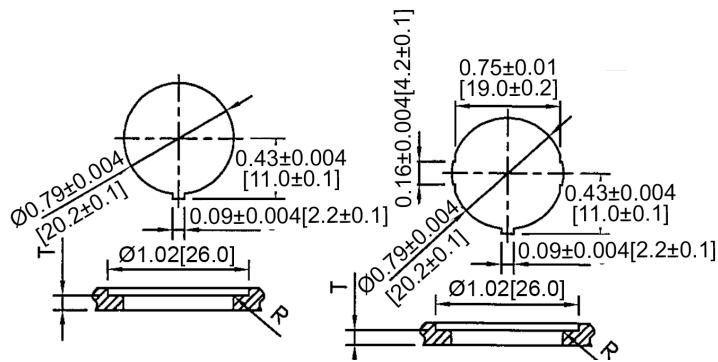


Mechanical Dimensions: Inches [mm]

Tolerances  $\pm 0.012$  [0.3] Unless Otherwise Specified



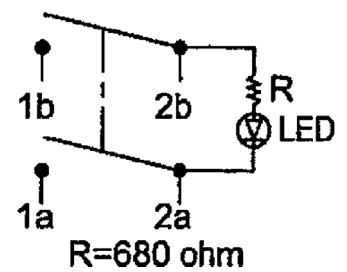
Mounting Hole



Thickness:  $0.06 \sim 0.1$  [1.5 ~ 2.5] |  $0.03 \sim 0.1$  [0.7 ~ 2.5]

Circuit Diagram

4P DPST OFF-ON (LED-D)



Electrical Specifications

Rating	20A 12V DC	
Contact Resistance	50m ohm Max	
Insulation Resistance	DC 500V 100M ohm Min	
Dielectric Strength	AC 1500V 1 minute	
Operation Temperature	$-25^{\circ}\text{C} \sim 85^{\circ}\text{C}$	

Material Specifications

Frame	Black, Nylon#66 (94-V2)
Actuator	Blue, PC
LED	Blue (Dependent)
Ingress Protection	IP65

Rev	Date of issue	Revision Notes	Designed	Approved
B	07-13-2021	Initial Drawing	RC	OF