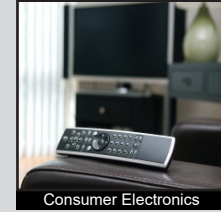


# R1973 SERIES ROCKER SWITCH

ANTI-VANDAL SWITCHES  
 DETECTOR SWITCHES  
 DIP SWITCHES  
 KEYLOCK SWITCHES  
 NAVIGATION SWITCHES  
 PUSHBUTTON SWITCHES  
**ROCKER SWITCHES**  
 ROTARY SWITCHES  
 SLIDE SWITCHES  
 SNAP ACTION SWITCHES  
 TACTILE SWITCHES  
 TOGGLE SWITCHES  
 CAP OPTIONS



## APPLICATIONS / MARKETS



**RoHS**

## SPECIFICATIONS

**Contact Rating:** 9A @ 125VAC [cURus]  
 6A @ 250VAC [cURus]  
**Contact Arrangement:** SPST, DPST  
**Electrical Life:** 10,000 cycles  
**Mechanical Life:** 30,000 cycles  
**Insulation Resistance:** >1000 MΩ  
**Dielectric Strength:** >1,500VAC for 1 minute  
**Operating Temperature:** -30°C to 65°C  
**Storage Temperature:** -30°C to 80°C  
**Panel Thickness:** 0.7mm to 3.0mm

## FEATURES & BENEFITS

- Agency approvals: cURus
- SPST and DPST
- Illumination options
- Multiple termination options
- Actuator marking available
- Standard 13mm x 19mm panel cutout size

## PART NUMBER CONFIGURATOR

| Series                             | Circuit  | Housing Color  | Actuator Color   | Marking (see chart)  | Termination  | Lamp Voltage  |
|------------------------------------|--|--|--|--|--|---|
| <input type="text" value="R1973"/> | <input type="text" value="A"/><br>A - SPST<br>B - DPST | <input type="text" value="BLK"/><br>BLK - Black<br>WHT - White<br>GRY - Grey | <input type="text" value="BLK"/><br>BLK - Black<br>RED - Red<br>GRY - Grey<br>YIL - Yellow<br>Illuminated<br>GIL - Green<br>Illuminated<br>RIL - Red<br>Illuminated<br>BIL - Blue<br>Illuminated | <input type="text" value="A"/><br>A<br>D<br>E<br>F<br>G<br>I | <input type="text" value="F"/><br>F - Faston<br>R - Right Angle PC Pin | <input type="text" value="0"/><br>0 - No Lamp<br>1 - Neon Bulb 125V-AC<br>2 - Neon Bulb 250V-AC<br>3 - LED 12V-DC<br>4 - LED 24V-DC |

Specifications subject to change without notice 11.10.2021



**E-SWITCH®**

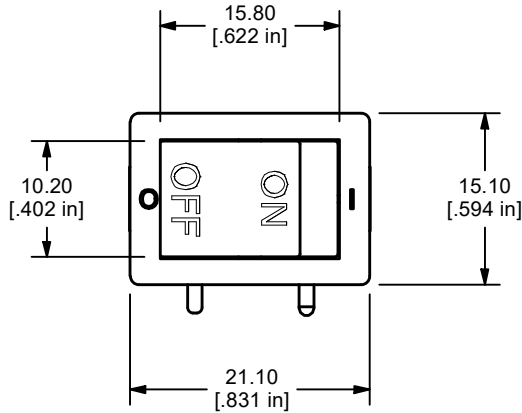
www.e-switch.com

800.867.2717

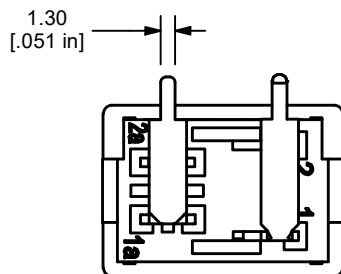
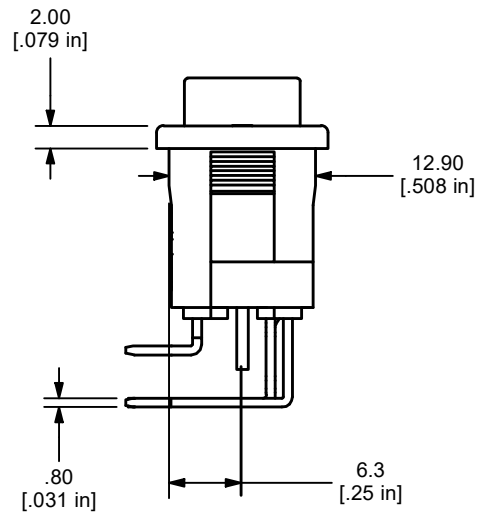
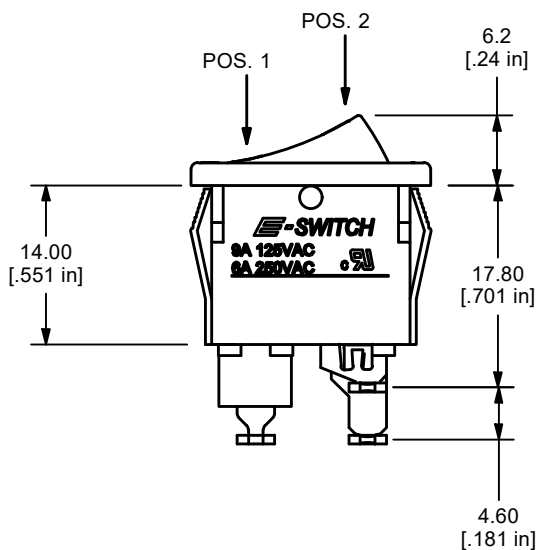
1

# R1973 SERIES ROCKER SWITCH

## BODY DIMENSIONS



| MODEL NO.        | POS. 1 | POS. 2  |
|------------------|--------|---|
| A - SPST         | OFF    | ON  |
| TERMINAL CLOSURE | OPEN   | 1-1a or 2-2a for NON-ILLUMINATED RIGHT ANGLE PC PIN |



"R" TERMINAL  
(RIGHT ANGLE TERMINALS BENT  
TOWARDS THE LOGO SIDE)

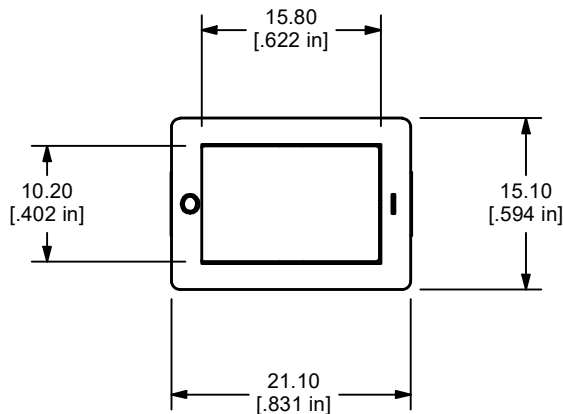
SHOWN WITH  
A - SPST ILLUMINATED  
I - MARKING  
R - RIGHT ANGLE PC PIN



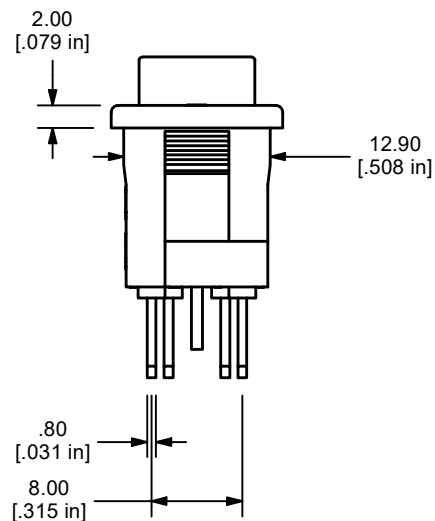
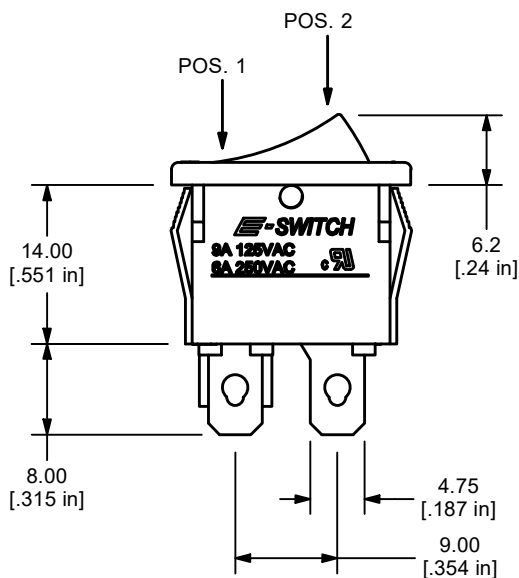
# R1973 SERIES ROCKER SWITCH

## BODY DIMENSIONS

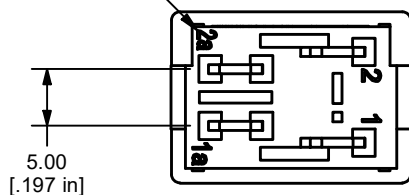
- ANTI-VANDAL SWITCHES
- DETECTOR SWITCHES
- DIP SWITCHES
- KEYLOCK SWITCHES
- NAVIGATION SWITCHES
- PUSHBUTTON SWITCHES
- ROCKER SWITCHES**
- ROTARY SWITCHES
- SLIDE SWITCHES
- SNAP ACTION SWITCHES
- TACTILE SWITCHES
- TOGGLE SWITCHES
- CAP OPTIONS



| MODEL NO.        | POS. 1 | POS. 2     |
|------------------|--------|------------|
| B - DPST         | OFF    | ON         |
| TERMINAL CLOSURE | OPEN   | 1-1a, 2-2a |



TERMINAL DESIGNATIONS  
(DPST VERSION SHOWN)

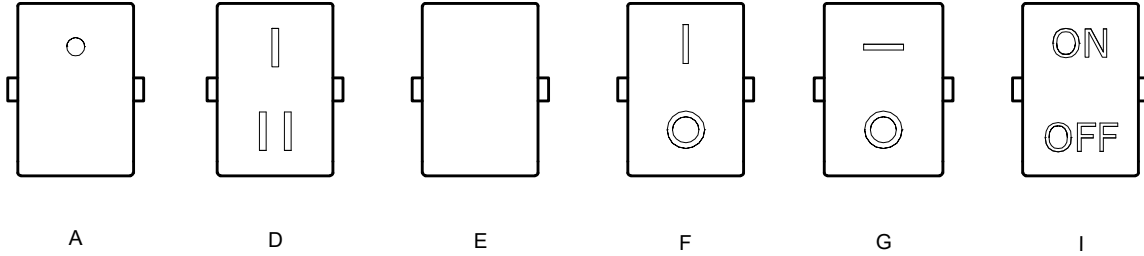


SHOWN WITH  
B - DPST  
E - MARKING  
F - FASTON

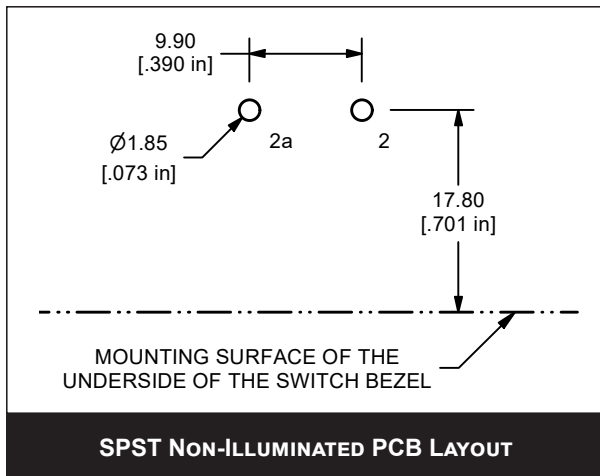
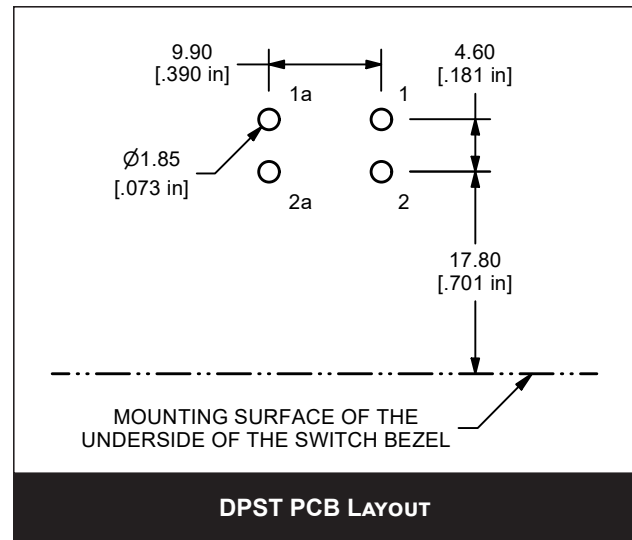
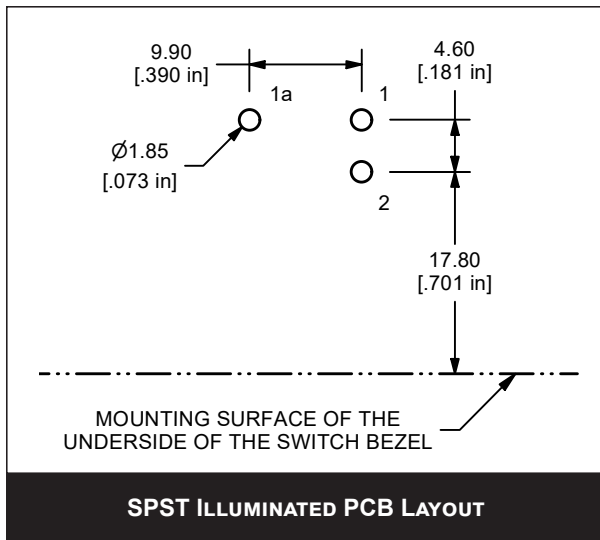


# R1973 SERIES ROCKER SWITCH

## MARKING OPTIONS

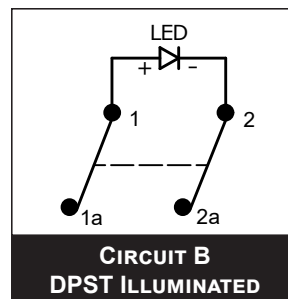
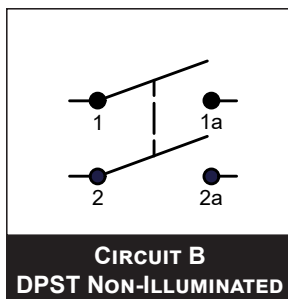
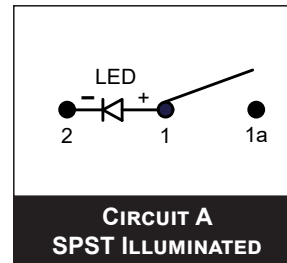
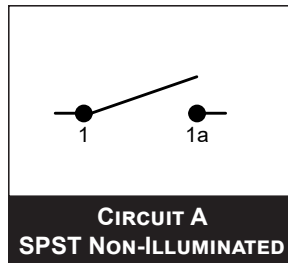
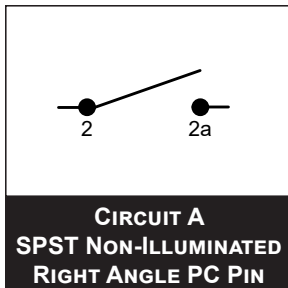


## PCB LAYOUTS



# R1973 SERIES ROCKER SWITCH

## SCHEMATICS



## PANEL CUTOUT

