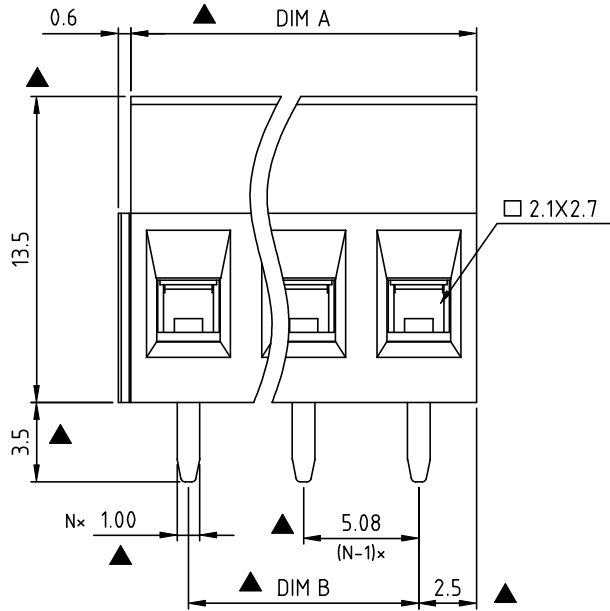
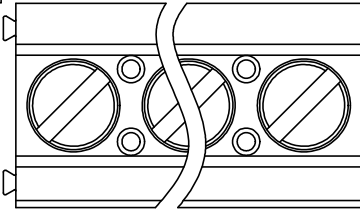
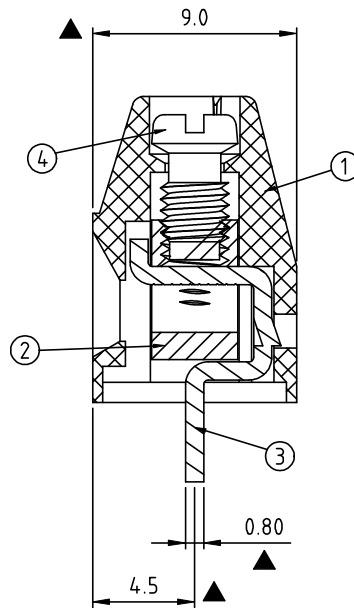
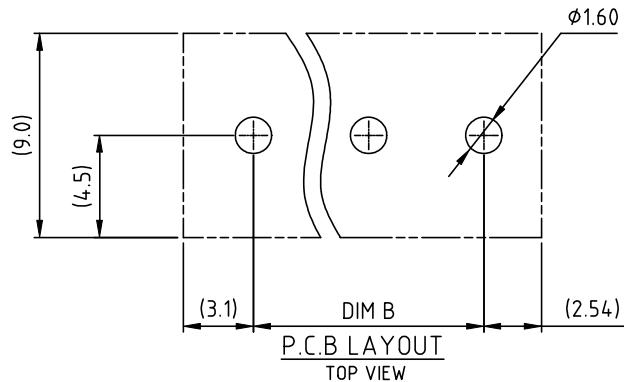


RoHS Compliant



N=Number of poles



Dimension

DIM A	$N \times 5.08$
DIM B	$(N-1) \times 5.08$

N=Number of poles

POLES	TOL
2p-6p	$\pm 0.15$
7p-12p	$\pm 0.25$
13p-16p	$\pm 0.35$
17p-24p	$\pm 0.40$

SIGN	DATE	DESCRIPTION	APPROVER
△	8/07'06	Added FIMKO standard	梁仁松
△	01/18'07	Soldering temperature changed from 245° to 250°	Tason
△	01/18'07	Part NO is Changed	Tason
△	04/27'18	Delete the FI mark, Update the drawing	Guoxue

THIS IS CAD DRAWING, DO NOT REVISE MANUALLY!!!

Material:

- Item 1 Terminal housing :Thermoplastic (UL 94V-0)
- Item 2 Clamp : Brass ,Ni plated
- Item 3 Wire guard solder pin : Brass ,Tin plated
- Item 4 Terminal screw : Steel Zinc plating"-slot type

△ △ Electrical cULus

- Voltage rating: 300VAC
- Current rating: 16A
- Wire range:
- Solid wire(AWG): 12-28
- Stranded wire(AWG): 12-28
- Torque: 3.5Lb-In.
- Screw: M3
- Wire strip length: 6-7mm
- Withstanding Voltage: 1.6KV
- Operating temperature: -40°C to +115°C
- Soldering temperature: 260°C±5°C/5 Sec
- △ Safety Approval:
- Critical dimension: ▲

△ VI xx 21 x 2 xxxx G

02 2 POLES	0 Black (RAL9005)	0000:"@ "Logo (Standard)	G RoHS compliant
03 3 POLES	2 Red (RAL3001/D)	000A:"ANYTEK" Logo	(lead<4%)
...	3 Orange(RAL2011/P)	Any special item by	In copper Alloy
24 24 POLES	4 Yellow(RAL1018/A)	customer request,	
	5 Green(RAL6018/T)	please contact sales	
	6 Blue (RAL5015/A)	department.	
	8 Grey(RAL7035/D)		
	C Green(RAL6018/U)		

**Amphenol**  
**ANYTEK**

**CUSTOMER COPY**

ALL RIGHTS RESERVED. REPRODUCTION OR ISSUE TO THIRD PARTIES IN ANY FORM WHATSOEVER IS NOT PERMITTED WITHOUT WRITTEN AUTHORITY FROM THE PROPRIETOR. PROPERTY OF ANYTEK TECHNOLOGY CO., LTD

TITLE VI 5.08 SERIES 180° wire inlet (without cover)							
PART NO. VIxx21x2xxxxG				DWG NO. 8VI0103			
APPROVED		CHECKED	DESIGNED	DRAWN	CUST NO.		Tolerance
			Guoxue 2018.04.27	Guoxue 2018.04.27			X. ±0.50
							X.X ±0.30
							X.XX ±0.10
							X° ±1°
				SHEET: 01/01		REV.: G	