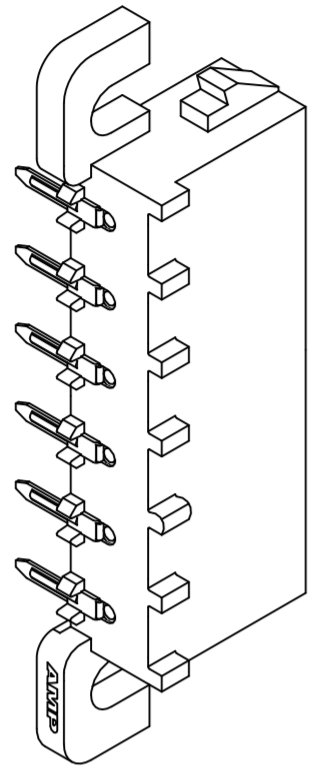
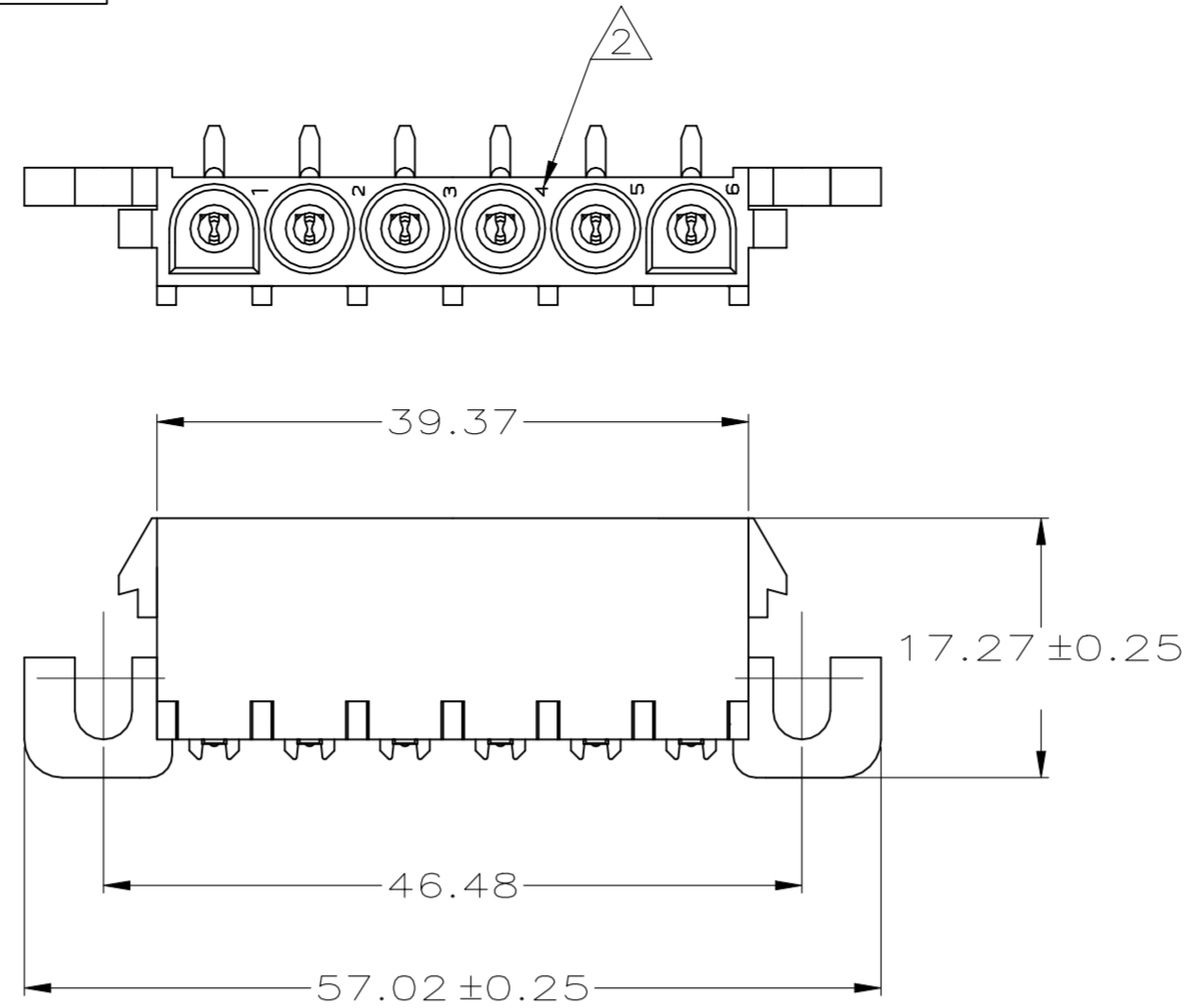


THIS DRAWING IS UNPUBLISHED. RELEASED FOR PUBLICATION  
 © COPYRIGHT BY TYCO ELECTRONICS CORPORATION. ALL RIGHTS RESERVED.

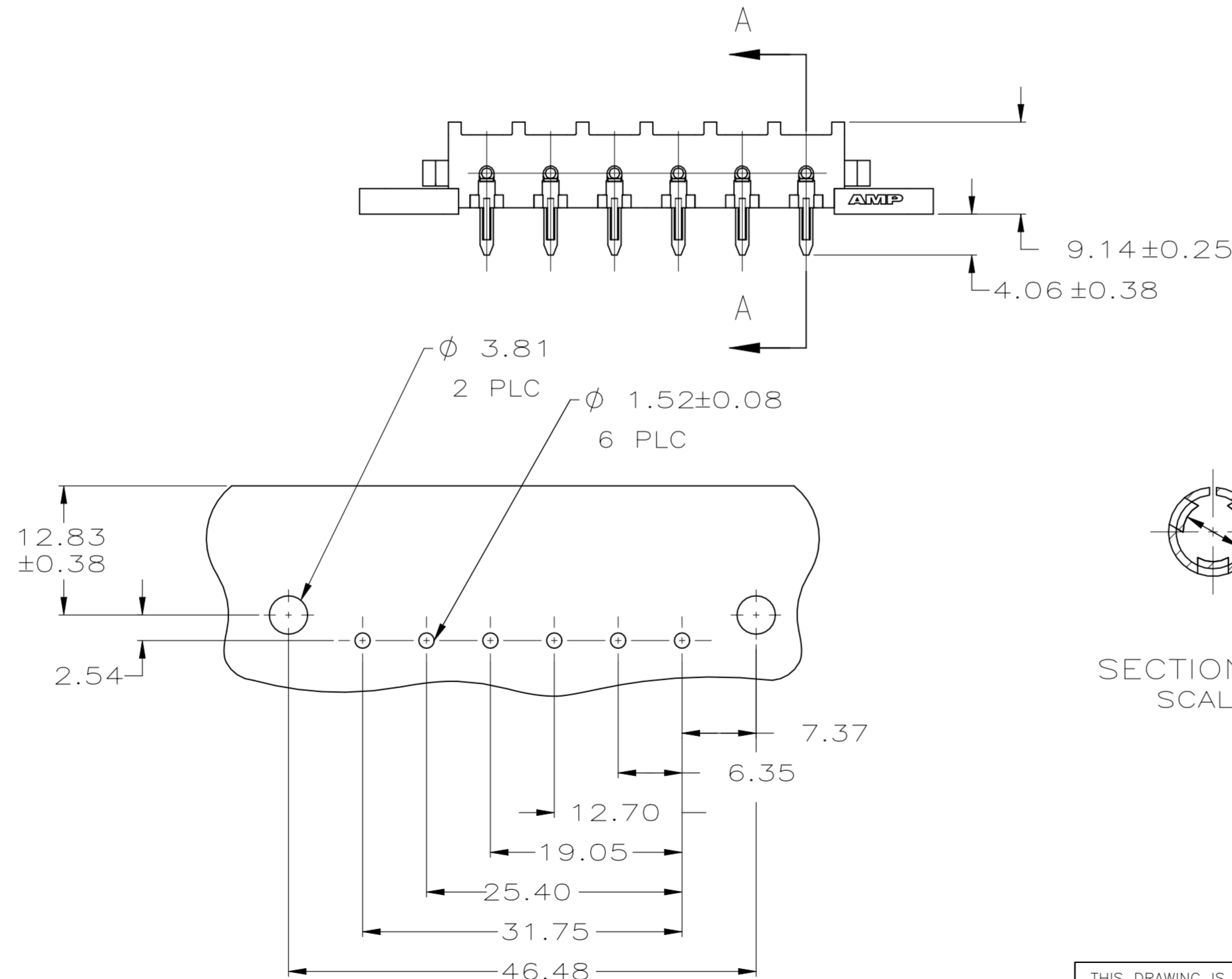
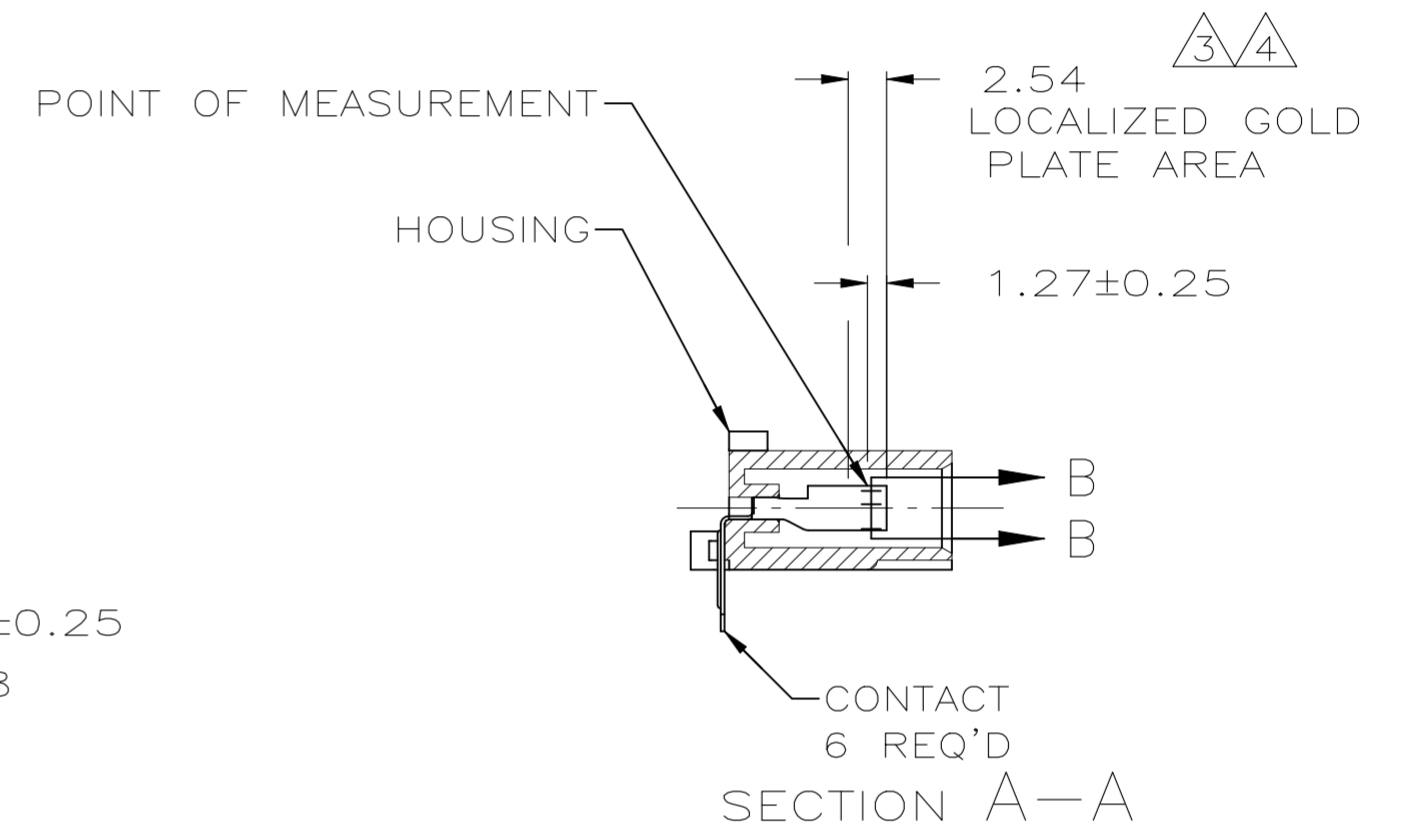
| LOC | DIST | REVISIONS   |                           |           |       |
|-----|------|-------------|---------------------------|-----------|-------|
| P   | LTR  | DESCRIPTION | DATE                      | DWN       | APVD  |
| CM  | 00   | D1          | REVISED PER ECR-21-117154 | 01AUG2022 | PJ VS |



3-DIMENSIONAL MODEL NTS

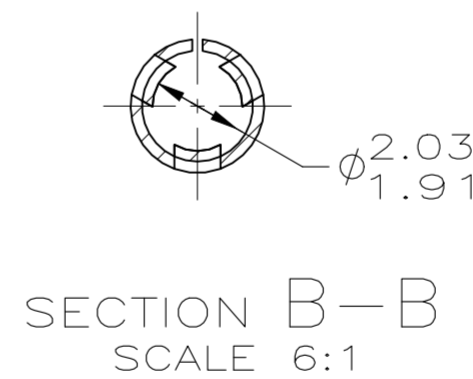


- PARTS COMPLY WITH AMP SOLDERABILITY SPECIFICATION 109-11-5.
- CIRCUIT IDENTIFICATION CHARACTERS ARE ADJACENT TO THE INDICATED CAVITIES, BUT LOCATION AND ORIENTATION MAY DIFFER FROM PRINT.
- 0.00076 GOLD OVER 0.00127 MIN NICKEL WITH MATTE TIN LEAD ON SOLDER TAIL.
- 0.00076 GOLD OVER 0.00127 MIN NICKEL WITH MATTE TIN ON SOLDER TAIL.
- DIMENSION SHOWN REPRESENT PRODUCT IN DRY CONDITION. ADDITIONAL 2% GROWTH DUE TO END USE LOCATION MOISTURE ABSORPTION MAY OCCUR AND SHOULD BE ACCOUNTED FOR.



RECOMMENDED MOUNTING HOLE PATTERN FOR 1.57 THICK P.C. BOARD

**METRIC**



SECTION B-B SCALE 6:1

|         |         |       |       |
|---------|---------|-------|-------|
| 3.81    | .150    | 57.02 | 2.245 |
| 2.54    | .100    | 46.48 | 1.830 |
| 2.03    | .080    | 39.37 | 1.550 |
| 1.91    | .075    | 31.75 | 1.250 |
| 1.57    | .062    | 25.40 | 1.000 |
| 1.52    | .060    | 19.05 | .750  |
| 1.27    | .050    | 17.27 | .680  |
| 0.38    | .015    | 12.83 | .505  |
| 0.25    | .010    | 12.70 | .500  |
| 0.13    | .005    | 9.14  | .360  |
| 0.08    | .003    | 7.37  | .290  |
| 0.00127 | .000050 | 6.35  | .250  |
| 0.00076 | .000030 | 4.06  | .160  |
| MM      | IN      | MM    | IN    |

CONVERSION TABLE

|                        |                |            |
|------------------------|----------------|------------|
| PH BRZ GOLD $\Delta 4$ | NYLON, UL94V-0 | 3-643234-0 |
| PH BRZ GOLD $\Delta 3$ | NYLON, UL94V-0 | 643234-2   |
| PH BRZ TIN             | NYLON, UL94V-0 | 643234-1   |
| CONTACT                | HOUSING        | PART NO    |

|  |  |                                 |   |  |
|--|--|---------------------------------|---|--|
| THIS DRAWING IS A CONTROLLED DOCUMENT. |  | DWN<br>K. WHITAKER<br>21APR2005 | <b>tyco</b><br>Tyco Electronics Corporation |  |
| DIMENSIONS:<br>mm                      |  | CHK<br>S. RIDGILL<br>21APR2005  | Harrisburg, Pa 17105-3608                   |  |
| TOLERANCES UNLESS OTHERWISE SPECIFIED: |  | APVD<br>S. RIDGILL<br>21APR2005 | NAME  |  |
| 0 PLC ± -                              |  | PRODUCT SPEC                    |   |  |
| 1 PLC ± -                              |  | APPLICATION SPEC                |   |  |
| 2 PLC ± 0.13                           |  | WEIGHT                          |   |  |
| 3 PLC ± -                              |  | SIZE                            |   |  |
| 4 PLC ± -                              |  | CAGE CODE                       |   |  |
| ANGLES ± -                             |  | DRAWING NO                      |   |  |
| FINISH                                 |  | RESTRICTED TO                   |   |  |
| MATERIAL                               |  | SCALE                           |   |  |
| SEE TABLE                              |  | SHEET                           |   |  |
| SEE TABLE                              |  | OF                              |   |  |
| CUSTOMER DRAWING                       |  | REV                             |   |  |
|  |  | D1                              |   |  |