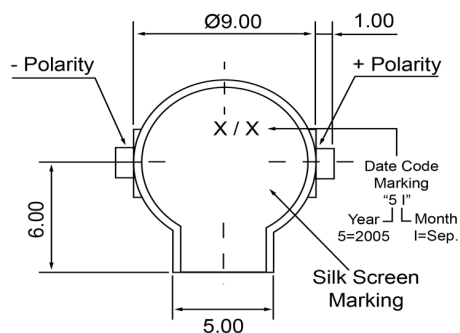
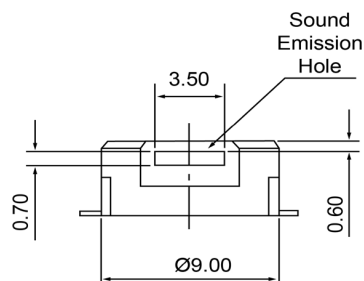


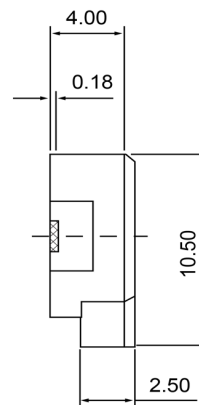
TOP VIEW



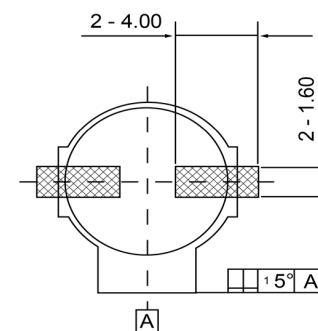
SIDE VIEW (1)




SIDE VIEW (2)



BOTTOM VIEW



| Specifications | | | Notes | Revision History | | | | | | |
|---|--------------------|-------|--|------------------|---------------------------|-------------------|------------|----------|--|--|
| Description | Value | Unit | | Version | Description | | Date | Approved | | |
| Technology | Electro-Mechanical | | 1) All dimensions are in mm unless otherwise noted 2) All parts meet RoHS | 1 | Released from Engineering | | 10/21/2013 | J.S | | |
| Resonant Frequency | 2,731 | (Hz) | | | | | | | | |
| Rated Voltage | 3.6 | (V) | | | | | | | | |
| SPL @ 10cm | 87 | (dBA) | | | | | | | | |
| Coil Resistance | 16 | (ohm) | | | | | | | | |
| Mount Type | Surface Mount | | | | | | | | | |
| Voltage Range | 2.5 ~ 4.5 | (V) | | | | | | | | |
| Max Rated Current | 90 | (mA) | | | | | | | | |
| Housing Material | PA46 | | | | | | | | | |
| Operating Temperature | -20 ~ +60 | °C | | | | | | | | |
| Storage Temperature | -20 ~ +60 | °C | | | | | | | | |
| Weight | 0.7 | (g) | | | | | | | | |
|  DB UNLIMITED | | | Electro-Mechanical Transducer | | | TE093103-1 | | | | |
| | | | | | | | | | | |

Additional considerations can be found at www.dbunlimitedco.com/technical-articles.