

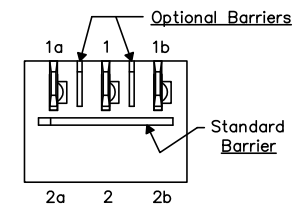
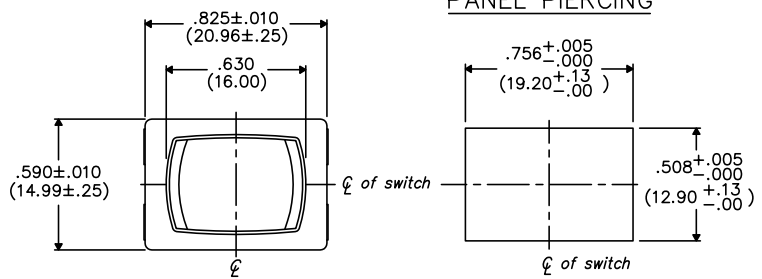
THIS INFORMATION IS CONFIDENTIAL AND PROPRIETARY TO CW INDUSTRIES INCORPORATED AND ITS AFFILIATES. IT MAY NOT BE DISCLOSED TO ANYONE OTHER THAN CW INDUSTRIES PERSONNEL, WITHOUT WRITTEN AUTHORIZATION FROM CW INDUSTRIES INCORPORATED, SOUTHAMPTON, PENNSYLVANIA USA.

DIMENSIONS IN INCHES (MILLIMETERS)
DO NOT SCALE DRAWING

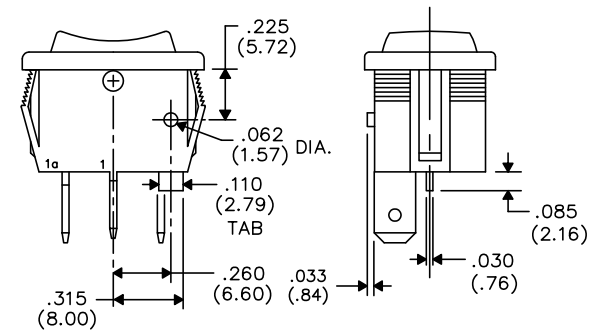
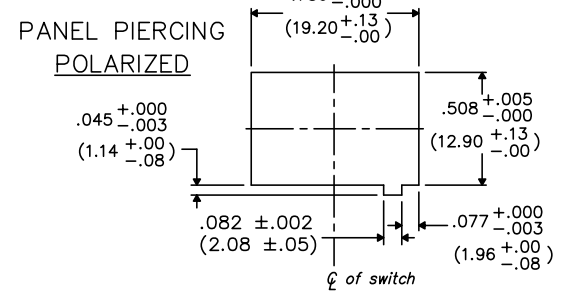
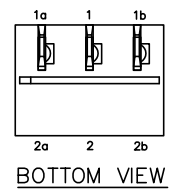
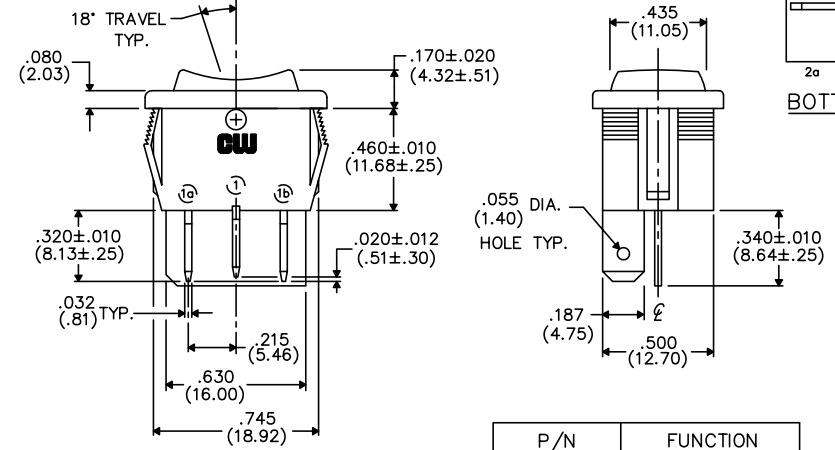
Dwg. No.
GRS-4013A,B,C,-XXXX

PANEL PIERCING

OPTIONAL INSULATING BARRIER



MOUNTING PANEL THICKNESS
Standard—.050" (1.27mm) to .150" (3.81mm).
Optional Mounting Claws for Custom Panel thickness are available.



P/N	FUNCTION
GRS-4013A	Double Throw On-Off-On
GRS-4013B	Double Throw On-Off-(On)
GRS-4013C	Double Throw (On)-Off-(On)

TERMINAL OPTIONS:

$.187$ " (4.75mm) x $.032$ " (.81mm) Solderless
 $.110$ " (2.79mm) x $.032$ " (.81mm) Solderless
 $.187$ " (4.75mm) x $.020$ " (.51mm) Solderless
 $.110$ " (2.79mm) wide with $.048$ " (1.22mm) x $.237$ " (6.02mm) Slot for Soldering

() = Momentary Function

REVISIONS	1	2	3	4	5	6	7	8	9	10

PDF FILE MADE			Title: ROCKER SWITCH ASSEMBLY S.P./D.T. Division: SWITCH Dwg. No.: GRS-4013A,B,C-XXXX
	Southamton, Pa. 18966 TOLERANCES UNLESS OTHERWISE SPECIFIED		
	2 Place Decimal ±.010 3 Place Decimal ±.005 Angles ±1°	METRIC 1 Place Dec. ±.25mm 2 Place Dec. ±.13mm	
	Made for: CW IND. Drawn by: DGW 10-28-2010 Checked by: Approval:		