

# RR/LRR-Series

Rounded Rocker Switches

[PRODUCT WEBPAGE](#)

*request sample, configure part*



The RR and LRR-Series round rocker switches feature a uniquely sculpted rocker design with electrical ratings of up to 12A 125VAC, 10A 250VAC and fit an industry standard cutout, making installation a snap. The lighted LRR-Series can be wired to accommodate dependent or independent, illumination, neon or incandescent lamps with red, green, amber or white translucent rockers. Standard or custom actuator legends are available.

**1**

Pole

**6-12**

Amps

**125-250**

VAC

**6-28**

VDC

## Typical Applications

- Appliances
- Office Automation
- Audio Visual
- Vacuum Cleaners
- Commercial Food
- Test & Measurement

# Tech Specs

## Dielectric Strength

UL/CUL: 1000V-live to dead metal parts & opposite polarity

## Electrical Life

50,000 cycles

## Operating Temperature

32°F to 185°F (0°C to 85°C)

# Ordering Scheme

Sample Part Number **RR 1 1 2 - B B - N N**

Selection 1 2 3 4 5 6 7 8

### 1. SERIES

**RR** Rocker **LRR** Lighted Rocker

### 2. CIRCUIT

- 1 On-None-Off
- 2 (On)-None-Off
- 3 On-None-(Off)
- 4 On-None-On
- 5 On-None-(On)
- 6 On-Off-On

### 3. RATING

- 1<sup>1</sup> 10A, 125-250VAC; 12A 125 VAC  
1/4 HP 125-250 VAC
- 3 6A, 28 VDC
- 4 12A, 12 VDC
- 5 12A, 6 VDC

### 4. TERMINATION

- 2 .187 Tab

### 5. ACTUATOR COLOR

**RR-Series (Non-Illuminated) Solid Color**  
**B** Black  
**W** White  
**R** Red  
**LRR-Series (Illuminated) Transparent Color**  
**1** Amber  
**2** Red  
**3** Blue  
**4** Green  
**5** Clear

### 6. BASE COLOR

**B** Black  
**W** White  
**R** Red

### 7. LAMP VOLTAGE

**N** None **C** 28V Incandescent  
**A** 6V Incandescent **J**<sup>2</sup> 125V Neon  
**B** 12V Incandescent **K**<sup>2</sup> 250V Neon

### 8. ROCKER FACE LEGEND

**N** No imprinting **F** O (on rocker end)  
**A** On-Off (vertical) **G** II-O-I (vertical)  
**B** On-Off (horizontal) **H** II-O-I (horizontal)  
**D** I-O (horizontal) **J** Off-On (vertical)  
**E** I-O (vertical) **K** Off-On (horizontal)

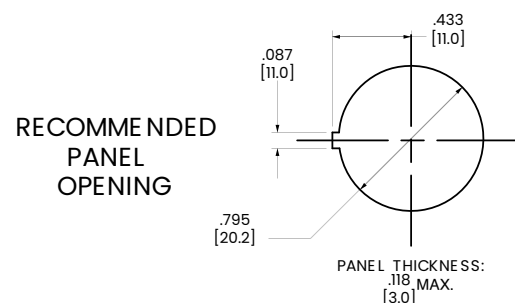
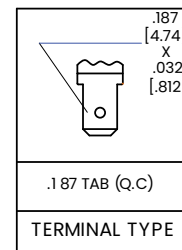
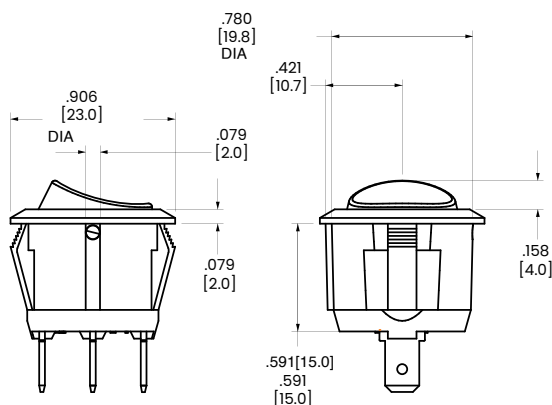
#### Notes:

- 1 Rating Code "1" has UL and cUL approval.
- 2 Neon Lamps (125 or 250 Volts) not recommended with green or blue actuators.

[Browse Standard Parts >](#)

# Dimensional Specs

inches [millimeters]



## Authorized Sales Representatives and Distributors

Click on a region of the map below to find your local representatives and distributors or visit [www.carlingtech.com/findarep](http://www.carlingtech.com/findarep).



## About Carling

Founded in 1920, Carling Technologies is a leading manufacturer of electrical and electronic switches and assemblies, circuit breakers, electronic controls, power distribution units, and multiplexed power distribution systems. With six ISO9001 and IATF16949 registered manufacturing facilities and technical sales offices worldwide, Carling Technologies Sales, Service and Engineering teams do much more than manufacture electrical components, they engineer powerful solutions! To learn more about Carling please visit [www.carlingtech.com/company-profile](http://www.carlingtech.com/company-profile).

To view all of Carling's environmental, quality, health & safety certifications please visit [www.carlingtech.com/environmental-certifications](http://www.carlingtech.com/environmental-certifications).

© Carling Technologies, Inc.

3. Carling is a registered trademark of Carling Technologies, Inc. in the U.S. and other countries.