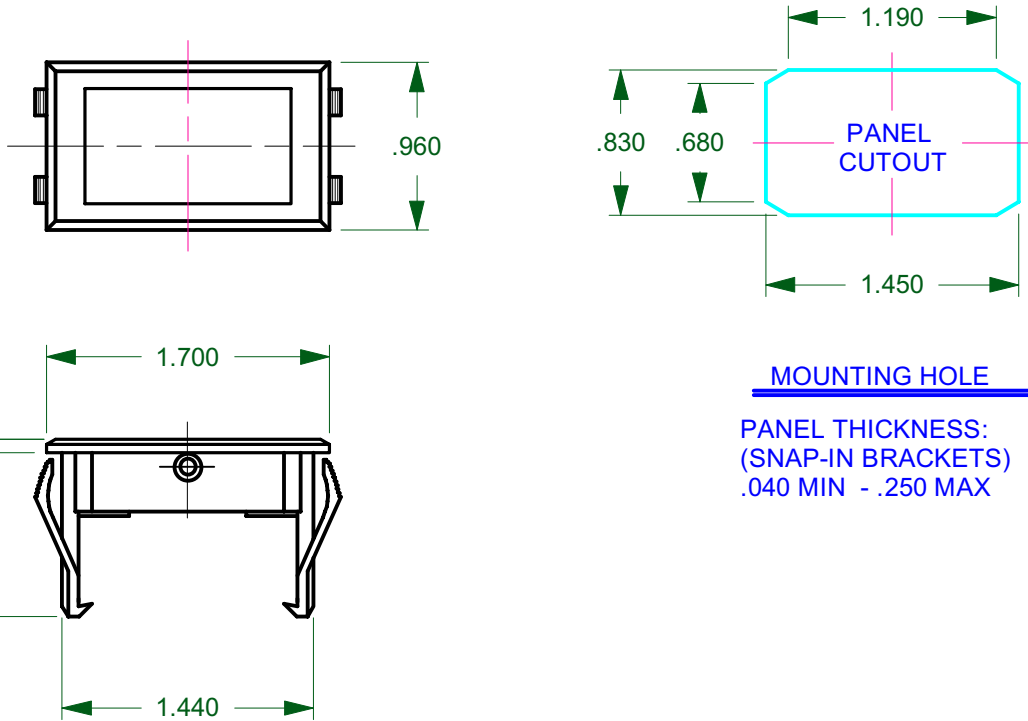


DO NOT SCALE DRAWING WORK TO FIGURE

DWG NO. TGG-00001000 NBL/BLANK		REV.
LET	REVISIONS	DATE



DIMENSIONS SUBJECT TO CHANGE WITHOUT NOTICE		FINISH	CARLINGSWITCH, INC. PLAINVILLE, CT		
PROPRIETARY NOTE: NOTICE TO ALL PERSONS RECEIVING THIS DRAWING. THIS DOCUMENT IS THE PROPERTY OF CARLINGSWITCH, INC. AND IS NOT TO BE DISCLOSED, REPRODUCED IN WHOLE OR IN PART OR USED FOR MANUFACTURING PURPOSES BY ANYONE WITHOUT THE CONSENT OF CARLINGSWITCH, INC.	UNSPECIFIED TOLERANCES		TITLE		
	FRAC. ±1/64 X.XXX ±.015 ANGLES ±1;		TOOL NO.	NBL / BLANK	
	PROJECTIONS	DIMENSIONS IN [mm]	DR BY G HALL	DATE 3-4-94	SIZE A
			CHK BY	DATE	DWG NO. TGG-00001000 NBL/BLANK
		APPD BY	DATE	USED ON	SCALE: NONE
					SHT OF 1 1