



AMP-LATCH | AMP-LATCH Universal Headers

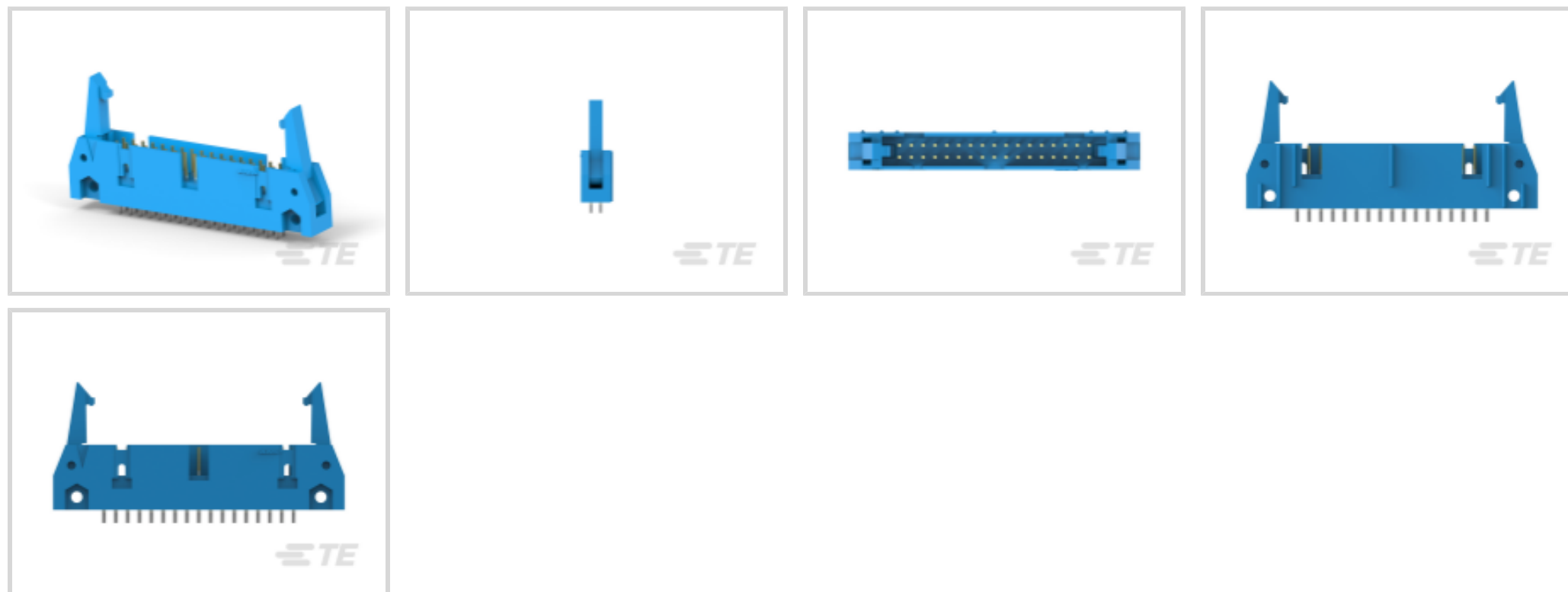
TE Internal #: 2-5499206-8

Ribbon Cable Connectors, Wire-to-Board, 34 Position, 2.54 mm [.1 in] Centerline, Vertical, Through Hole - Solder, 2 Row, AMP-LATCH Universal Headers

[View on TE.com >](#)

Connectors > PCB Connectors > Wire-to-Board Connectors > FFC, FPC & Ribbon Connectors > Ribbon Cable Connectors >

AMP-LATCH UNIVERSAL HEADERS



Connector System: **Wire-to-Board**

Number of Positions: **34**

Centerline (Pitch): **2.54 mm [.1 in]**

PCB Mount Retention: **Without**

PCB Mount Orientation: **Vertical**

[All AMP-LATCH UNIVERSAL HEADERS \(525\)](#)

Features

Product Type Features

Ribbon Cable Connector Header Type	Universal Ejection Pin Headers
Connector Mating Latch & Lock Type	Long
Connector Product Type	Connector Assembly
Connector System	Wire-to-Board
Connector & Housing Type	Plug
Connector & Contact Terminates To	Printed Circuit Board

Configuration Features

Number of Positions	34
PCB Mount Orientation	Vertical
Number of Rows	2

Electrical Characteristics

Insulation Resistance	5000 MΩ
-----------------------	---------



Operating Voltage	250 VAC
-------------------	---------

Body Features

Primary Product Color	Blue
Connector Profile	Standard

Contact Features

Mating Square Post Dimension	.64 mm[.025 in]
PCB Contact Termination Area Plating Material Thickness	2.54 μ m[100 μ in]
Contact Type	Pin
Contact Mating Area Plating Material Thickness	.76 μ m[30 μ in]
Contact Mating Area Plating Material	Gold
Contact Shape & Form	Square
PCB Contact Termination Area Plating Material	Tin
Contact Base Material	Phosphor Bronze
Contact Current Rating (Max)	1 A

Termination Features

Round Termination Post & Tail Diameter	.64 mm[.025 in]
Termination Post & Tail Length	2.79 mm[.11 in]
Termination Method to Printed Circuit Board	Through Hole - Solder

Mechanical Attachment

Mating Alignment	With
PCB Mount Alignment	Without
Panel Mount Feature	Without
PCB Mount Retention	Without
Mating Alignment Type	Center
Mating Retention	With
Mating Retention Type	Ejection Latch
Connector Mounting Type	Board Mount

Housing Features

Housing Material	Glass Filled Nylon/Polyester
Centerline (Pitch)	2.54 mm[.1 in]

Dimensions

Shrouded End Dimension	3.81 mm[.15 in]
------------------------	-----------------



Connector Length	62.48 mm[2.46 in]
------------------	-------------------

Connector Height	13.94 mm[.548 in]
------------------	-------------------

PCB Thickness (Recommended)	1.57 mm[.062 in]
-----------------------------	------------------

Row-to-Row Spacing	2.54 mm[.1 in]
--------------------	----------------

Usage Conditions

Housing Temperature Rating	Standard
----------------------------	----------

Operating Temperature Range	-65 – 105 °C[-85 – 221 °F]
-----------------------------	----------------------------

Operation/Application

Circuit Application	Signal
---------------------	--------

Industry Standards

UL Flammability Rating	UL 94V-0
------------------------	----------

Packaging Features

Packaging Quantity	18
--------------------	----

Packaging Method	Tray
------------------	------

Other

Wire-to-Board Connector Comment	Mates with Receptacles
---------------------------------	------------------------

Product Compliance

[For compliance documentation, visit the product page on TE.com>](#)

EU RoHS Directive 2011/65/EU	Compliant
------------------------------	-----------

EU ELV Directive 2000/53/EC	Compliant
-----------------------------	-----------

China RoHS 2 Directive MIIT Order No 32, 2016	No Restricted Materials Above Threshold
---	---

EU REACH Regulation (EC) No. 1907/2006	Current ECHA Candidate List: JUNE 2023 (235) Candidate List Declared Against: JUNE 2023 (235) Does not contain REACH SVHC
--	---

Halogen Content	Not Low Halogen - contains Br or Cl > 900 ppm.
-----------------	--

Solder Process Capability	Wave solder capable to 265°C
---------------------------	------------------------------

Product Compliance Disclaimer



This information is provided based on reasonable inquiry of our suppliers and represents our current actual knowledge based on the information they provided. This information is subject to change. The part numbers that TE has identified as EU RoHS compliant have a maximum concentration of 0.1% by weight in homogenous materials for lead, hexavalent chromium, mercury, PBB, PBDE, DBP, BBP, DEHP, DIBP, and 0.01% for cadmium, or qualify for an exemption to these limits as defined in the Annexes of Directive 2011/65/EU (RoHS2). Finished electrical and electronic equipment products

will be CE marked as required by Directive 2011/65/EU. Components may not be CE marked. Additionally, the part numbers that TE has identified as EU ELV compliant have a maximum concentration of 0.1% by weight in homogenous materials for lead, hexavalent chromium, and mercury, and 0.01% for cadmium, or qualify for an exemption to these limits as defined in the Annexes of Directive 2000/53/EC (ELV). Regarding the REACH Regulation, the information TE provides on SVHC in articles for this part number is based on the latest European Chemicals Agency (ECHA) 'Guidance on requirements for substances in articles' posted at this URL: <https://echa.europa.eu/guidance-documents/guidance-on-reach>

Compatible Parts

 <p>TE Part # 499252-6 034 STRAIN RELIEF A-L RCPT</p>	 <p>TE Part # 3-1437021-2 609-3431HD=FSKT IDC S 34 SR</p>	 <p>TE Part # 1-1658526-9 609-3441LF FEM SOCKET, LEAD FREE</p>	 <p>TE Part # 1658621-8 34 NOVO MIL/CTR 15DP, LEAD FREE</p>
 <p>TE Part # 1-1658526-8 609-3430LF FEM SOCKET, LEAD FREE</p>	 <p>TE Part # 1658622-8 34 NOVO MIL/CTR 30DP, LEAD FREE</p>	 <p>TE Part # 1658620-8 34 NOVO MIL 15DP, LEAD FREE</p>	 <p>TE Part # 1658623-8 34 NOVO MIL 30DP, LEAD FREE</p>
 <p>TE Part # 1658624-8 034 NOVO DUAL 30DP FT</p>	 <p>TE Part # 2-1658527-8 622-3441LF=FSKT IDC S 34 30AU</p>	 <p>TE Part # 1658528-6 636-3441LF FEM SOCKET, LEAD FREE</p>	 <p>TE Part # 3-6437021-6 609-3441CELF=FSKT IDC S 34 30A</p>

Also in the Series | AMP-LATCH Universal Headers

 <p>Connector Hardware(13)</p>	 <p>Ribbon Cable Connectors(525)</p>
---	--

Customers Also Bought



TE Part #206430-4
CPC RECPT ASSEMBLY SIZE 11-4



TE Part #4-2176328-1
CRGP 1206 22K 1%



TE Part #8-2176412-8
5W XSM M/OX 5% 22K



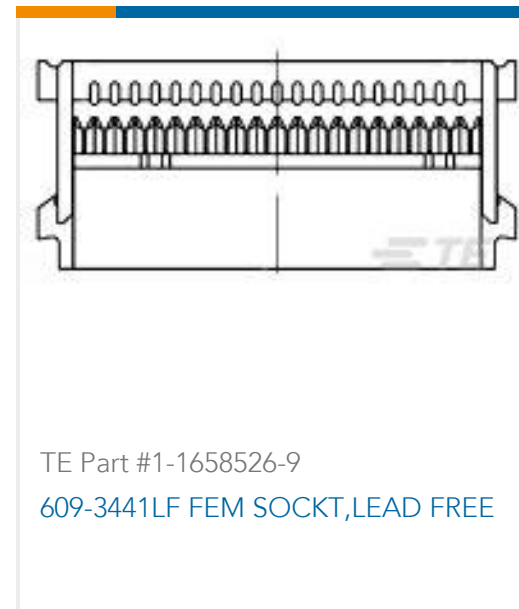
TE Part #5787170-5
50 50SR R/A RCPT ASSY,RDSN L/F



TE Part #5102321-8
A/L UNIV HDR 34P VERT LG LAT



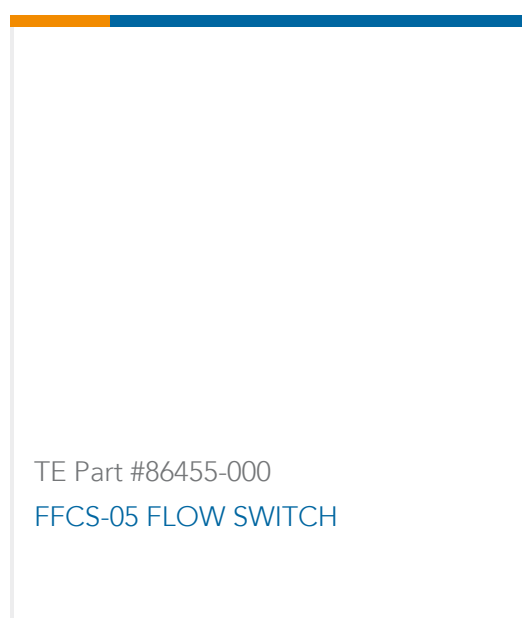
TE Part #2-1879378-4
TLR 2512 3.0W R002 1% 50PPM 2K RL



TE Part #1-1658526-9
609-3441LF FEM SOCKET,LEAD FREE



TE Part #453821-9
CRIMPER, WIRE .080 WIDE F



TE Part #86455-000
FFCS-05 FLOW SWITCH

Documents

Product Drawings

[A/L UNIV HDR 34P VERT LG LAT B](#)

English

CAD Files

[3D PDF](#)

3D

Customer View Model

[ENG_CVM_CVM_2-5499206-8_C.2d_dxf.zip](#)

English

Customer View Model

[ENG_CVM_CVM_2-5499206-8_C.3d_igs.zip](#)

English

Customer View Model

[ENG_CVM_CVM_2-5499206-8_C.3d_stp.zip](#)

English

By downloading the CAD file I accept and agree to the [Terms and Conditions](#) of use.

Product Specifications



Product Specification

English

Product Environmental Compliance

Product Compliance Document

English

Product Compliance Document

English

Agency Approvals

UL Report

English