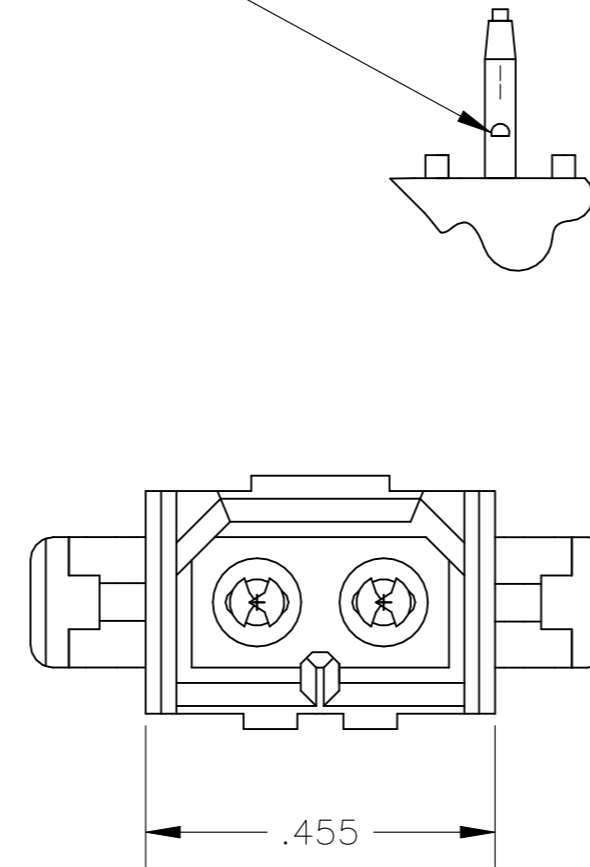
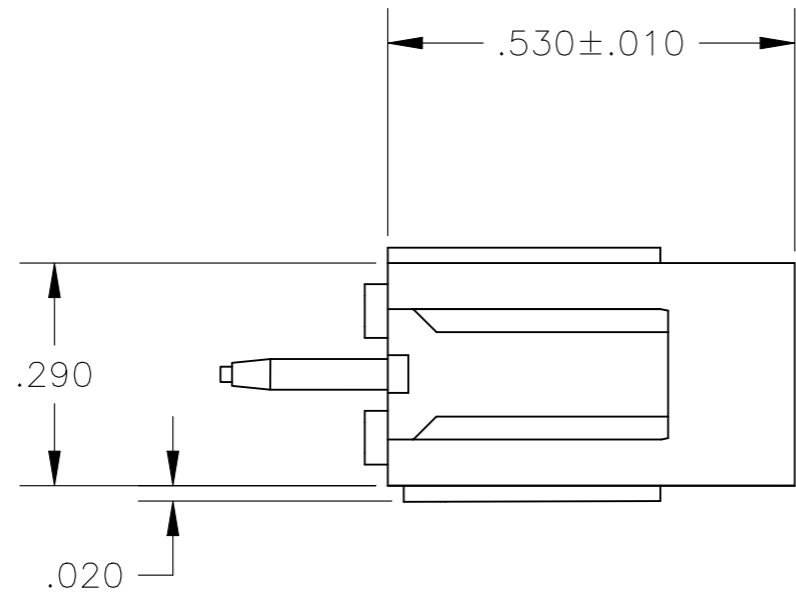
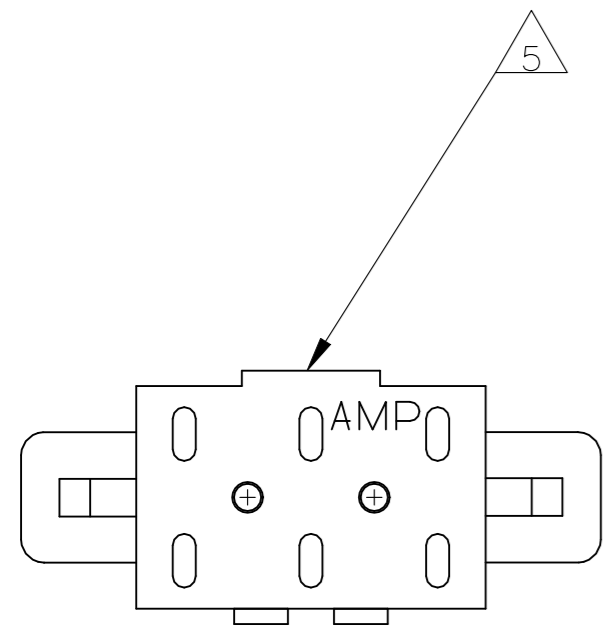
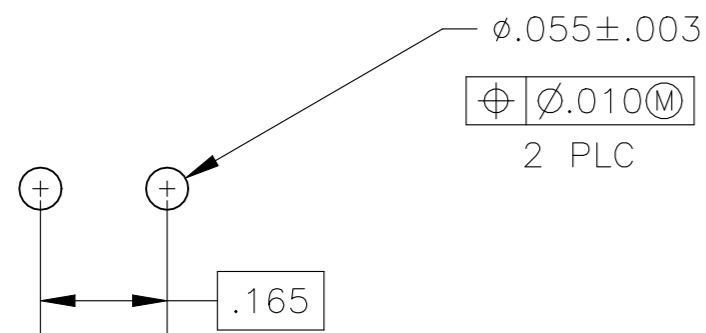
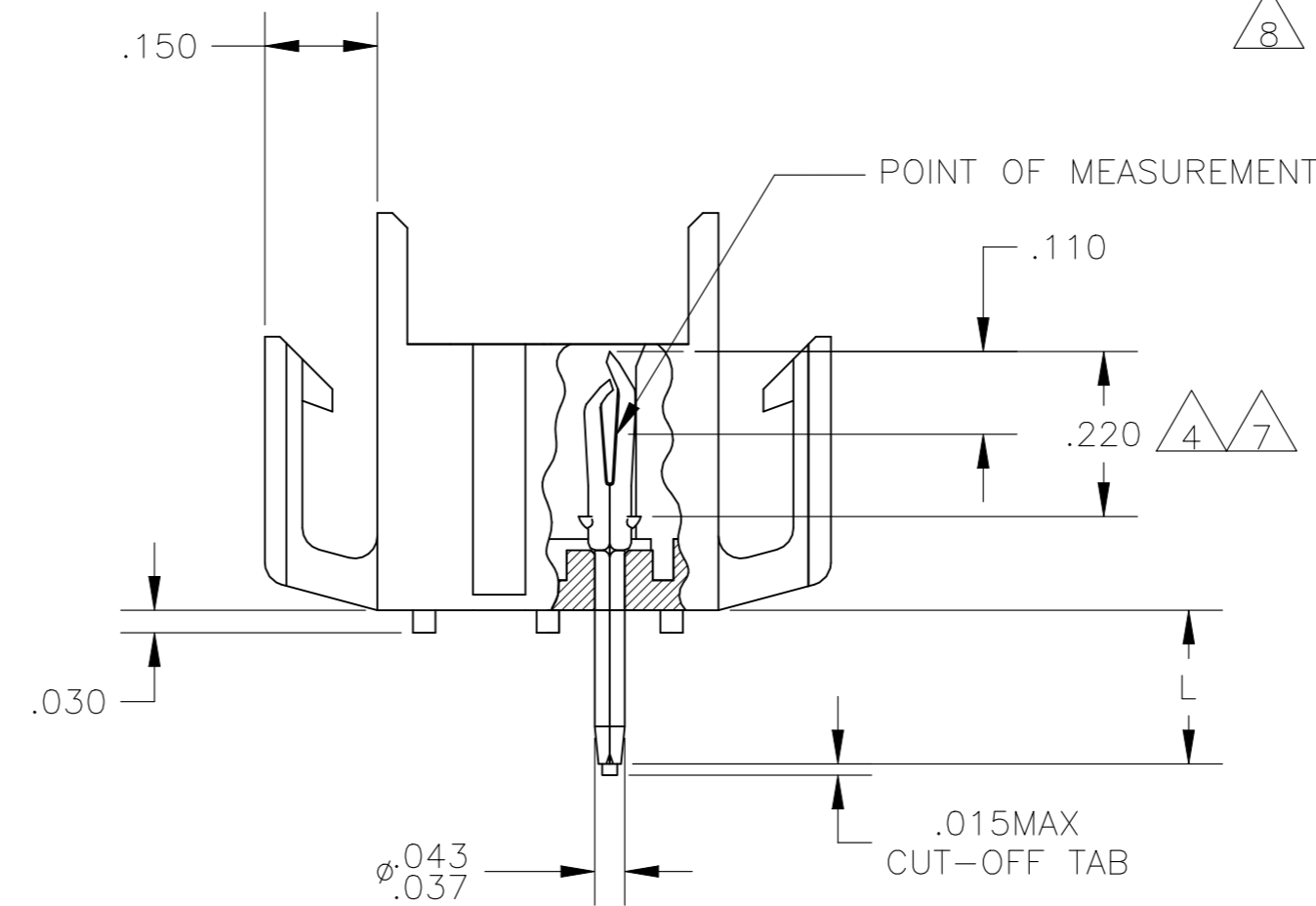


REVISIONS				
P	LTR	DESCRIPTION	DATE	APVD
R		REVISED PER ECO-21-005962	19MAY2021	RK MZ

ANTI SOLDER WICKING TAB



1. FITS SOCKET HOUSING 640517.
2. ASSEMBLY CONFORMS TO AMP SOLDERABILITY SPEC. 109-11-3.
3. FOR USE WITH .063 THICK P.C. BOARD.
4. CONTACT IS PLATED OVERALL WITH .000050 NICKEL, THEN .000030 GOLD OVER CONTACT LENGTH INDICATED AND .000150 MATTE TIN-LEAD ON SOLDER TAIL END.
5. UL AND CSA LOGO LOCATED ON THIS SURFACE.
6. FOR USE WITH .120 THICK P.C. BOARD.
7. CONTACT IS PLATED OVERALL WITH .000050 NICKEL, THEN .000030 GOLD OVER CONTACT LENGTH INDICATED AND .000150 MATTE TIN ON SOLDER TAIL END.
8. HOUSING MATERIAL: PA66, BLACK, UL 94 V-0 RATED  
CONTACT MATERIAL: PHOSPHOR BRONZE



RECOMMENDED P.C. BOARD LAYOUT

IN	MM	IN	MM
.043	1.09	.530	13.46
.037	0.94	.455	11.56
.030	0.76	.290	7.37
.020	0.51	.220	5.59
.015	0.38	.210	5.33
.010	0.25	.165	4.19
.008	0.20	.150	3.81
.005	0.13	.110	2.79
.003	0.08	.063	1.60
.000050	0.00127	.055	1.40

CONVERSION TABLE

.210	6	GOLD	7	2-640497-4
.150	3	GOLD	7	2-640497-2
.210	6	GOLD	4	640497-4
.210	6	PRE-TIN		640497-3
.150	3	GOLD	4	640497-2
.150	3	PRE-TIN		640497-1
"L" +.010 -.020		PIN FINISH		PART NUMBER

THIS DRAWING IS A CONTROLLED DOCUMENT.		DWN J. HUFFMAN 27APR98		
DIMENSIONS: INCHES		CHK R. SWING 27APR98		
TOLERANCES UNLESS OTHERWISE SPECIFIED:		APVD T. BEDDICK 27APR98	NAME HEADER ASSEMBLY, PIN, 2 POSITION, MR.	
0 PLC ± - 1 PLC ± - 2 PLC ± - 3 PLC ± .005 4 PLC ± - ANGLES ± 0°30'		PRODUCT SPEC -	SIZE A2	
MATERIAL 8		FINISH SEE TABLE	CAGE CODE 00779	DRAWING NO C-640497
WEIGHT -		CUSTOMER DRAWING		RESTRICTED TO -
SCALE 4:1		SHEET 1 of 1		REV R

