



# PZ1AH3V6B~PZ1AH75B

## SILICON ZENER DIODE

**VOLTAGE**

**3.6V~75V**

**POWER**

**1Watt**

### Features

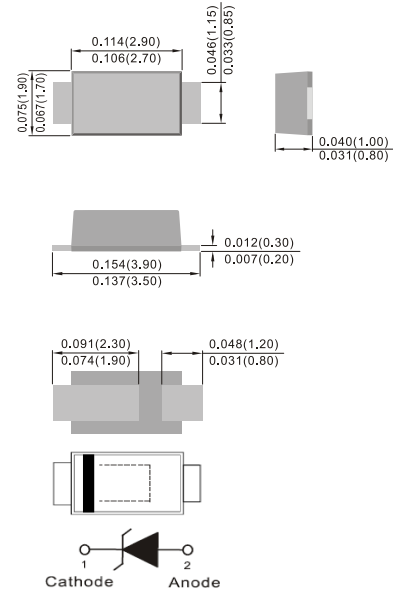
- Silicon planar Zener diode
- Low profile surface-mount package
- Low leakage current
- Excellent stability
- High temperature soldering : 260 °C/10 seconds at terminals
- Lead free in compliance with EU RoHS2.0 (2011/65/EU & 2015/865/EU directive)
- Green molding compound as per IEC61249 Std..(Halgen Free)

### Mechanical Data

- Case: SOD-123HE, plastic
- Terminals: Solderable per MIL-STD-750, Method 2026
- Polarity: Color band denotes cathode end
- Approx. Weight: 0.0006 ounces, 0.0172 grams

**SOD-123HE**

**Unit: inch(mm)**



### Maximum Ratings ( $T_A=25^{\circ}\text{C}$ unless otherwise noted)

PARAMETER	SYMBOL	LIMIT	UNITS
Peak Pulse Power Dissipation at $T_A=25^{\circ}\text{C}$ (Notes 1)	$P_D$	1	W
ESD Voltage per IEC61000-4-2 (Air)	$V_{ESD}$	$\pm 30$	kV
ESD Voltage per IEC61000-4-2 (Contact)		$\pm 30$	
Typical Thermal Resistance (Notes 2)	$R_{\theta JA}$	185	$^{\circ}\text{C/W}$
Operating Junction Temperature Range	$T_J$	-55 to +150	$^{\circ}\text{C}$
Storage Temperature Range	$T_{STG}$	-55 to +150	$^{\circ}\text{C}$

#### NOTES :

1. Mounted on a  $5\text{mm}^2$  copper pads to each terminal.
2. Mounted on a FR-4 PCB, single-sided copper, mini pad .



## PZ1AH3V6B~PZ1AH75B

Electrical Characteristics ( $T_A=25^{\circ}\text{C}$  unless otherwise noted)

Part Number	Nominal Zener Voltage				Nominal Zener Impedance				Max. Reverse Leakage Current		Marking Code
	$V_Z@I_{ZT}$				$Z_{ZT}@I_{ZT}$		$Z_{ZK}@I_{ZK}$		$I_R@V_R$		
	Nom. V	Min. V	Max. V	mA	$\Omega$	mA	$\Omega$	mA	$\mu\text{A}$	V	
PZ1AH3V6B	3.6	3.42	3.78	100	8	100	400	1	100	1	ACH
PZ1AH3V9B	3.9	3.71	4.10	100	8	100	400	1	50	1	BCH
PZ1AH4V3B	4.3	4.09	4.52	100	7	100	400	1	25	1	CCH
PZ1AH4V7B	4.7	4.47	4.94	100	7	100	500	1	10	1	DCH
PZ1AH5V1B	5.1	4.85	5.36	100	6	100	550	1	5	1	ECH
PZ1AH5V6B	5.6	5.32	5.88	100	4	100	600	1	10	2	FCH
PZ1AH6V0B	6	5.7	6.3	100	3	100	650	1	8	2	HCH
PZ1AH6V2B	6.2	5.89	6.51	100	3	100	700	1	5	2	ICH
PZ1AH6V8B	6.8	6.46	7.14	100	3	100	700	1	10	3	JCH
PZ1AH7V5B	7.5	7.13	7.88	100	2	100	700	0.5	10	3	KCH
PZ1AH8V2B	8.2	7.79	8.61	100	2	100	700	0.5	10	3	LCH
PZ1AH8V7B	8.7	8.27	9.14	50	3	50	700	0.5	10	4	MCH
PZ1AH9V1B	9.1	8.65	9.56	50	4	50	700	0.5	10	5	NCH
PZ1AH10B	10	9.50	10.50	50	4	50	700	0.25	7	7.5	PCH
PZ1AH11B	11	10.45	11.55	50	7	50	700	0.25	4	8.2	RCH
PZ1AH12B	12	11.40	12.60	50	7	50	700	0.25	3	9.1	SCH
PZ1AH13B	13	12.35	13.65	50	10	50	700	0.25	2	10	TCH
PZ1AH14B	14	13.30	14.70	50	10	50	700	0.25	2	11	UCH
PZ1AH15B	15	14.25	15.75	50	12	50	700	0.25	1	11	VCH
PZ1AH16B	16	15.20	16.80	25	15	25	700	0.25	1	12	WCH
PZ1AH17B	17	16.15	17.85	25	15	25	750	0.25	1	13	XCH
PZ1AH18B	18	17.10	18.90	25	15	25	750	0.25	1	13	YCH
PZ1AH19B	19	18.05	19.95	25	15	25	750	0.25	1	14	ZCH
PZ1AH20B	20	19.00	21.00	25	15	25	750	0.25	1	15	2CH
PZ1AH22B	22	20.90	23.10	25	15	25	750	0.25	1	16	3CH
PZ1AH24B	24	22.80	25.20	25	15	25	750	0.25	1	18	4CH
PZ1AH25B	25	23.75	26.25	25	15	25	750	0.25	1	19	6CH
PZ1AH27B	27	25.65	28.35	25	15	25	750	0.25	1	20	7CH
PZ1AH28B	28	26.60	29.40	25	15	25	850	0.25	1	21	9CH



## PZ1AH3V6B~PZ1AH75B

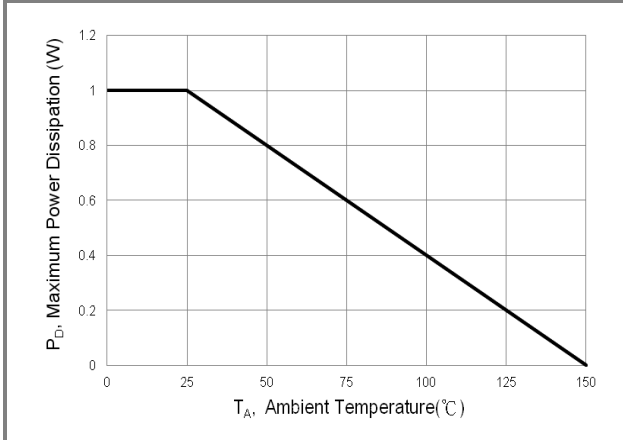
Electrical Characteristics ( $T_A=25^{\circ}\text{C}$  unless otherwise noted)

Part Number	Nominal Zener Voltage				Nominal Zener Impedance				Max. Reverse Leakage Current		Marking Code
	$V_Z@I_{ZT}$				$Z_{ZT}@I_{ZT}$		$Z_{ZK}@I_{ZK}$		$I_R@V_R$		
	Nom. V	Min. V	Max. V	mA	$\Omega$	mA	$\Omega$	mA	$\mu\text{A}$	V	
PZ1AH30B	30	28.50	31.50	25	15	25	1000	0.25	1	22	AEH
PZ1AH33B	33	31.35	34.65	25	15	25	1000	0.25	1	24	BEH
PZ1AH36B	36	34.20	37.80	10	40	10	1000	0.25	1	27	CEH
PZ1AH39B	39	37.05	40.95	10	40	10	1000	0.25	1	30	DEH
PZ1AH43B	43	40.85	45.15	10	45	10	1500	0.25	1	33	EEH
PZ1AH47B	47	44.65	49.35	10	45	10	1500	0.25	1	36	FEH
PZ1AH51B	51	48.45	53.55	10	60	10	1500	0.25	1	39	HEH
PZ1AH56B	56	53.20	58.80	10	60	10	2000	0.25	1	43	IEH
PZ1AH62B	62	58.90	65.10	10	80	10	2000	0.25	1	47	JEH
PZ1AH68B	68	64.60	71.40	10	80	10	2000	0.25	1	51	KEH
PZ1AH75B	75	71.25	78.75	10	100	10	2000	0.25	1	56	LEH

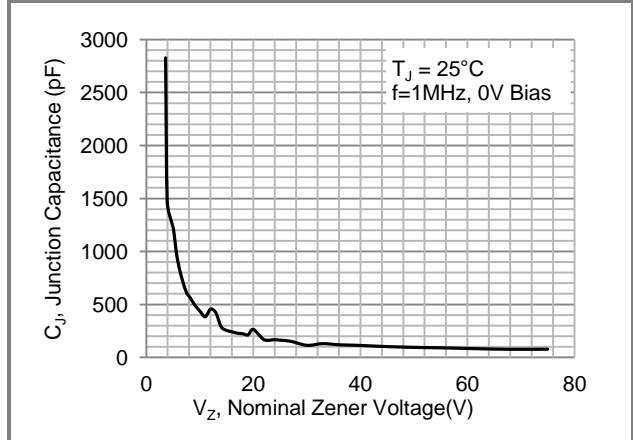


# PZ1AH3V6B~PZ1AH75B

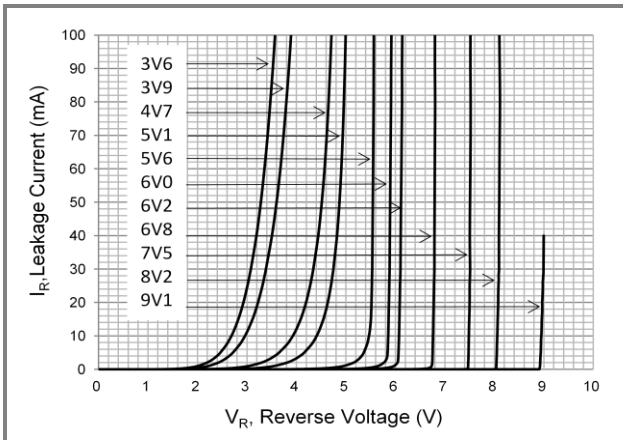
## TYPICAL CHARACTERISTIC CURVES



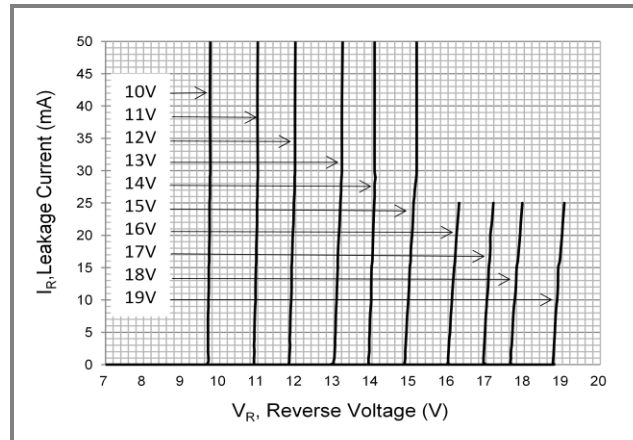
**Fig.1 Steady-State Power Derating Curve**



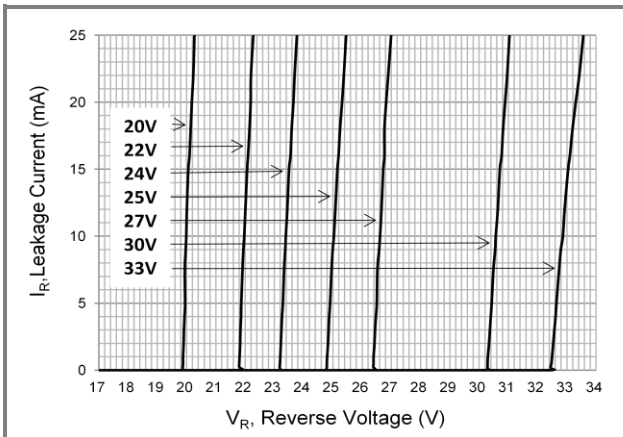
**Fig.2 Typical Capacitance Versus V<sub>Z</sub>**



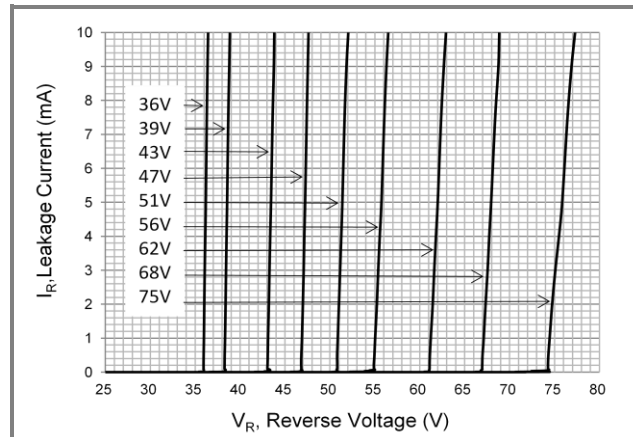
**Fig.3 Typical Zener Breakdown Characteristics**



**Fig.4 Typical Zener Breakdown Characteristics**



**Fig.5 Typical Zener Breakdown Characteristics**



**Fig.6 Typical Zener Breakdown Characteristics**

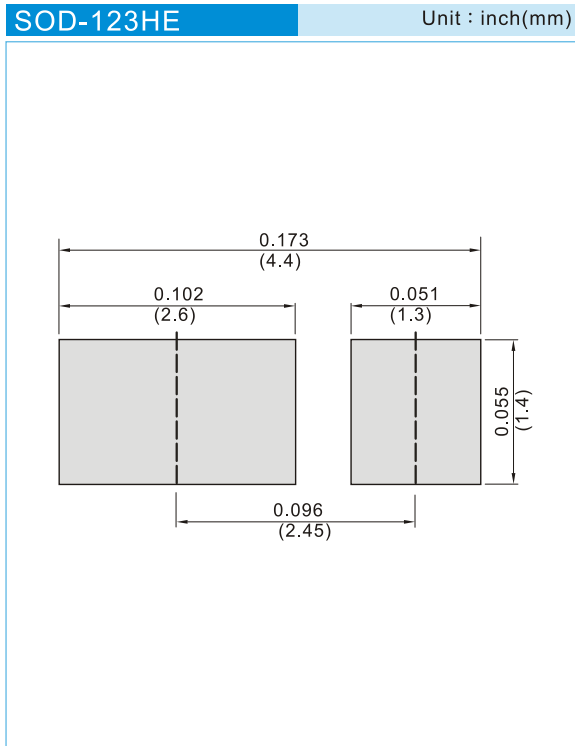


## PZ1AH3V6B~PZ1AH75B

### Part No Packing Code Version

Part No Packing Code	Package Type	Packing Type	Marking	Version
PZ1AH3V6B_R1_00001	SOD-123HE	3K pcs / 7" reel	ACH	Halogen free
PZ1AH3V6B_R2_00001	SOD-123HE	10K pcs / 13" reel	ACH	Halogen free

### Mounting Pad Layout





## PZ1AH3V6B~PZ1AH75B

### Disclaimer

- Reproducing and modifying information of the document is prohibited without permission from Panjit International Inc..
- Panjit International Inc. reserves the rights to make changes of the content herein the document anytime without notification. Please refer to our website for the latest document.
- Panjit International Inc. disclaims any and all liability arising out of the application or use of any product including damages incidentally and consequentially occurred.
- Panjit International Inc. does not assume any and all implied warranties, including warranties of fitness for particular purpose, non-infringement and merchantability.
- Applications shown on the herein document are examples of standard use and operation. Customers are responsible in comprehending the suitable use in particular applications. Panjit International Inc. makes no representation or warranty that such applications will be suitable for the specified use without further testing or modification.
- The products shown herein are not designed and authorized for equipments requiring high level of reliability or relating to human life and for any applications concerning life-saving or life-sustaining, such as medical instruments, transportation equipment, aerospace machinery et cetera. Customers using or selling these products for use in such applications do so at their own risk and agree to fully indemnify Panjit International Inc. for any damages resulting from such improper use or sale.
- Since Panjit uses lot number as the tracking base, please provide the lot number for tracking when complaining.