



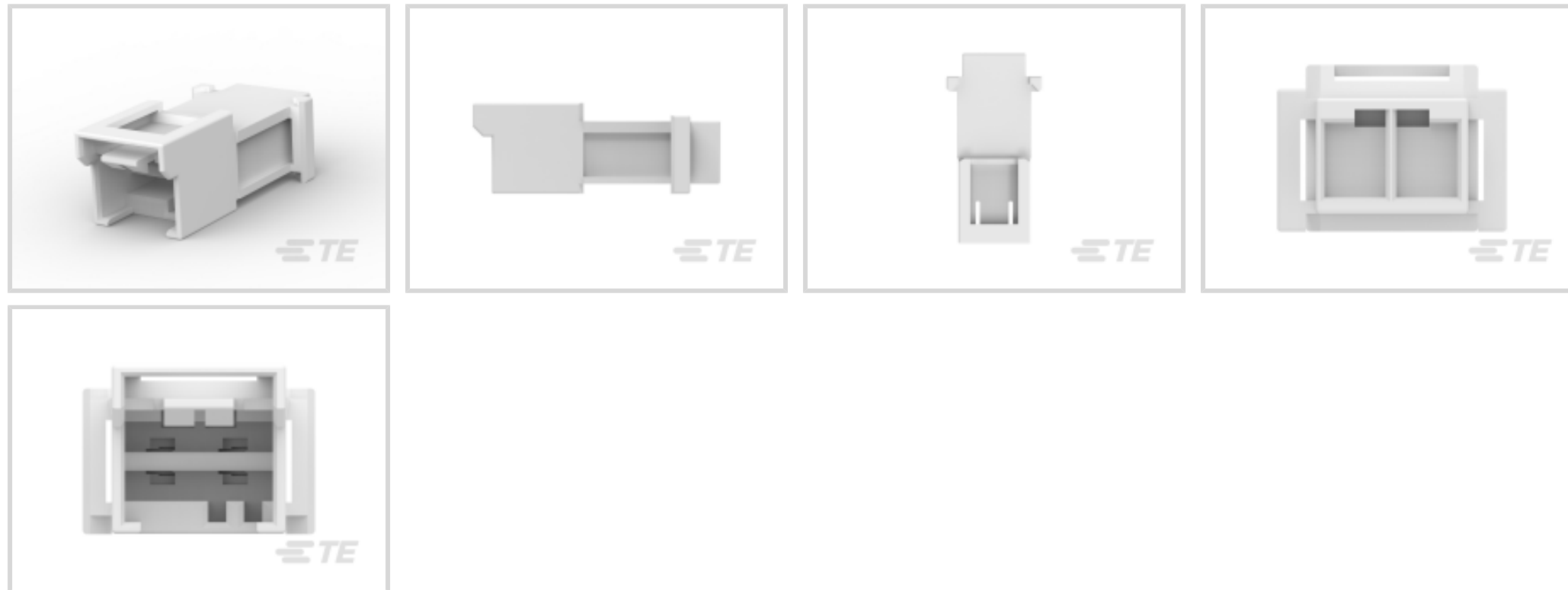
**RAST**

TE Internal #: 1718044-2

Standard Edge Connectors, Wire-to-Board, 2 Position, .197 in [5 mm] Centerline, 1 Row, Natural, PA 6, Fully Loaded, Plug, Vertical

[View on TE.com >](#)

Connectors > PCB Connectors > Card Edge Connectors > Standard Edge Connectors



Connector System: **Wire-to-Board**

Number of Positions: **2**

Centerline (Pitch): **5 mm [ .197 in ]**

Number of Rows: **1**

Primary Product Color: **Natural**

**Features**

**Product Type Features**

Connector System	Wire-to-Board
Connector & Housing Type	Plug
Connector & Contact Terminates To	Printed Circuit Board

**Configuration Features**

Number of Insulation Displacement Slots	2
Number of Positions	2
Number of Rows	1
Connector Contact Load Condition	Fully Loaded
PCB Mount Orientation	Vertical

**Body Features**

Keying Between Cavity Locations	A&B
Primary Product Color	Natural

**Contact Features**

Contact Type	Tab
--------------	-----



### Mechanical Attachment

Mating Alignment Type	Keyed
Mating Retention	With
Mating Alignment	With
PCB Mount Alignment	With
Connector Mounting Type	Board Mount

### Housing Features

Housing Entry Configuration	Both Ends Closed
Centerline (Pitch)	5 mm [.197 in]
Housing Material	PA 6

### Dimensions

Connector Height	16.5 mm
------------------	---------

### Operation/Application

Circuit Application	Power
---------------------	-------

### Industry Standards

UL Flammability Rating	UL 94V-2
------------------------	----------

### Packaging Features

Packaging Quantity	2500
Packaging Method	Box

### Product Compliance

[For compliance documentation, visit the product page on TE.com>](#)

EU RoHS Directive 2011/65/EU	Compliant
EU ELV Directive 2000/53/EC	Compliant
China RoHS 2 Directive MIIT Order No 32, 2016	No Restricted Materials Above Threshold
EU REACH Regulation (EC) No. 1907/2006	Current ECHA Candidate List: JUNE 2023 (235) Candidate List Declared Against: JUNE 2023 (235) Does not contain REACH SVHC
Halogen Content	Not Low Halogen - contains Br or Cl > 900 ppm.
Solder Process Capability	Not applicable for solder process capability

Product Compliance Disclaimer


This information is provided based on reasonable inquiry of our suppliers and represents our current actual knowledge based on the information they provided. This information is subject to change. The part numbers that TE has identified as EU RoHS compliant have a maximum concentration of 0.1% by weight in homogenous materials for lead, hexavalent chromium, mercury, PBB, PBDE, DBP, BBP, DEHP, DIBP, and 0.01% for cadmium, or qualify for an exemption to these limits as defined in the Annexes of Directive 2011/65/EU (RoHS2). Finished electrical and electronic equipment products will be CE marked as required by Directive 2011/65/EU. Components may not be CE marked. Additionally, the part numbers that TE has identified as EU ELV compliant have a maximum concentration of 0.1% by weight in homogenous materials for lead, hexavalent chromium, and mercury, and 0.01% for cadmium, or qualify for an exemption to these limits as defined in the Annexes of Directive 2000/53/EC (ELV). Regarding the REACH Regulation, the information TE provides on SVHC in articles for this part number is based on the latest European Chemicals Agency (ECHA) 'Guidance on requirements for substances in articles' posted at this URL: <https://echa.europa.eu/guidance-documents/guidance-on-reach>

## Compatible Parts



TE Part # 1955441-1  
CRIMPED TAB CONTACT, P.C.B. INTERFACE

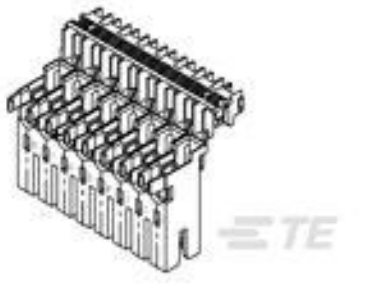
## Customers Also Bought



TE Part #284865-4  
Direct mount card edge conn.,



TE Part #2-1241961-7  
STD TIM HOUSING MKII 3POS



TE Part #1-282046-1  
AMP MONO-SHAPE P.C.B.CONN6P. GL



TE Part #8-1241961-2  
STD TIM HOUSING MKII 2POS



TE Part #2005097-1  
025 RECEPTACLE CONTACT



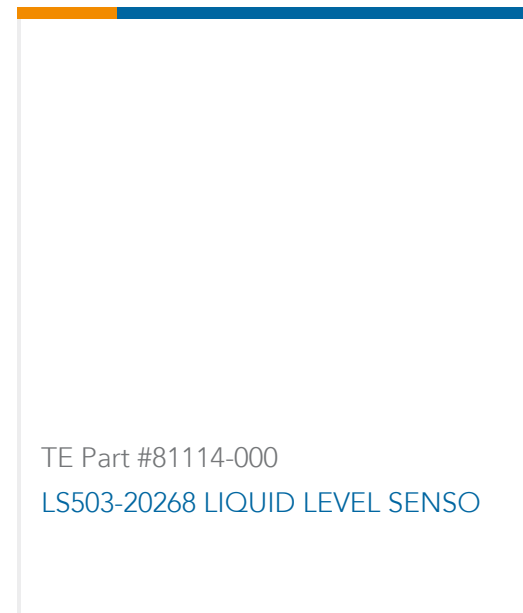
TE Part #3-456406-3  
CRIMPER, WIRE .090 "F"



TE Part #1544114-4  
CLIP DRAP. 6,3 G2



TE Part #63442-1  
PL 250 TERMINAL REC 18-14 AWG TPBR



## Documents

### Product Drawings

[RAST2.5 W2W Crimp-IDC 2pos Motor Mnt](#)

English

### CAD Files

Customer View Model

[ENG\\_CVM\\_CVM\\_1718044-2\\_B.2d\\_dxf.zip](#)

English

[3D PDF](#)

3D

Customer View Model

[ENG\\_CVM\\_CVM\\_1718044-2\\_B.3d\\_igs.zip](#)

English

Customer View Model

[ENG\\_CVM\\_CVM\\_1718044-2\\_B.3d\\_stp.zip](#)

English

By downloading the CAD file I accept and agree to the [Terms and Conditions](#) of use.

### Product Environmental Compliance

[MD\\_1718044-2\\_060520181157\\_dmtec](#)

English

[MD\\_1718044-2\\_060520181157\\_dmtec](#)

English

### Agency Approvals

[UL](#)

English